

# Vehicle Summary

	<b>Unit</b>		<b>Chassis</b>
Model:	T880 Series Conventional	Fr Axle Load (lbs):	20000
Type:	FULL TRUCK	Rr Axle Load (lbs):	46000
Description 1:	244WB X15 565V 1850	G.C.W. (lbs):	80000
Description 2:	6X4 CC W PUSHER 4500RDS		
	<b>Application</b>	Road Conditions:	
Intended Serv.:	Local pickup & delivery: Vehicles which	Class A (Highway)	90
Commodity:	General freight.	Class B (Hwy/Mtn)	10
		Class C (Off-Hwy)	0
		Class D (Off-Road)	0
Type:	<b>Body</b>	Maximum Grade:	6
	Flatbed with utility crane.	Wheelbase (in):	244
Length (ft):	20	Overhang (in):	136
Height (ft):	13.5	Fr Axle to BOC (in):	74
Max Laden Weight (lbs):	4000		
		Cab to Axle (in):	170
		Cab to EOF (in):	306
		Overall Comb. Length (in):	428.5
No. of Trailer Axles:	<b>Trailer</b>		
Type:			
Length (ft):	0		
Height (ft):	0	<b>Special Req.</b>	
Kingpin Inset (in):	0	U.S. Domestic registry, 50-state.	
Corner Radius (in):	0		
	<b>Restrictions</b>		
Length (ft):	120		
Width (in):	102		
Height (ft):	13.5		

Approved by: \_\_\_\_\_

Date: \_\_\_\_\_

**Note: All sales are F.O.B. designated plant of manufacture.**

Sales Code	Std/Opt	Description	Weight
<b>Model</b>			
0000810	S	T880 Series Conventional	15,549
0070060	S	T880	0
0080075	O	Dealer/Customer declines engine w/CARB Idle Emissions Reduction Feature.	0
0090000	S	Non-Sleeper w/rear axle capacity less than 59K.	0
0098435	O	State of Registry: Ohio	0
<b>Engine &amp; Equipment</b>			
0130331	O	X15 565V 565@2000 1850@1000 2021 with Intebrake, Productivity Series N09420 C333 0.....Reserve Speed Limit Offset ( N09380 C334 0.....Maximum Cycle Distance (C334 N09360 C400 252...Reserve Speed Function Reset N09200 C399 120...Standard Maximum Speed Limit N09400 C401 10....Maximum Active Distance (C40 N09220 C402 0.....Expiration Distance (C402) N09540 C395 0.....Expiration Distance (C395) N09260 C121 68....Maximum Accelerator Pedal Ve N09440 C234 NO....Engine Protection Shutdown ( N09460 C231 NO....Gear Down Protection (C231) N09580 C133 5.....Timer Setting (C133) N09680 C233 NO....Idle Shutdown Manual Overul N09480 C132 1400..Max PTO Speed (C132) N09300 C128 68....Maximum Cruise Speed (C128) N09500 C239 NO....Cruise Control Auto Resume ( N09520 C238 NO....Auto Engine Brake in Cruise N09240 C209 120...Hard Maximum Speed Limit (C2 N09780 C190 80....High Ambient Temperature Thr N09740 C188 40....Low Ambient Temperature Thre N09760 C189 60....Intermediate Ambient Tempera N09720 C382 YES...Enable Hot Ambient Automatic N09600 C396 YES...Enable Impending Shutdown Wa N09620 C397 60....Timer For Impending Shutdown N09640 C206 35....Engine Load Threshold (C206) N09560 C225 YES...Enable Idle Shutdown Park Br	465
1000046	O	EPA Emissions Warranty Engine	0
1000151	S	PremierSpec	0
1000243	O	Gearing Analysis: Performance power before economy results.	0
1000255	O	Customer's Typical Operating Spd: 68 mph.	0
1000684	O	Effective VSL Setting NA	0

<b>Sales Code</b>	<b>Std/Opt</b>	<b>Description</b>	<b>Weight</b>
1000858	O	Engine Idle Shutdown Timer Disabled	0
1000859	O	Enable EIST Ambient Temp Override	0
1000891	O	Eff EIST NA Expiration Miles Use only with MX and Cummins engines	0
1002080	O	Air compressor: Cummins 18.7 CFM, Naturally Aspirated for Cummins X15 engines	0
1051200	S	Air Cleaner: composite firewall mounted PACCAR or Cummins engines	0
1105220	O	Fan Hub: Horton 2-Speed for X15	0
1123555	S	Cooling module: 1330 square inches. Includes aluminum radiator core, aluminum charge air cooler, translucent surge tank and washer bottle, silicone hoses, and extended life coolant.	0
1247234	S	EXH: 2021 RH Under DPF/SCR with RH SOC Vertical tailpipe. Not 2.1m high roof sleepers	0
1290136	S	Tailpipe: 5 in. single 36 in. 45 degree curved.	0
1291944	O	Single Lower Chrome Exhaust Elbow	0
1321109	O	Fuel Filter:PACCAR Standard Service Interval Fuel/Water Separator. 2017 and Later Emissions	0
1321205	S	Run Aid:Fuel Heat *For Fuel Filter	0
1321305	S	Start Aid:12V Heat *For Fuel Filter	0
1500029	O	Kenworth Fuel Cooler Required for Cummins engines with a single fuel tank. Required for PACCAR MX-13 engine with a single fuel tank and stationary use: High RPM, low vehicle speed, sustained for longer than 1 hour. Optional for all other applications.	6
1504005	O	Immersion block heater 120V 1500W w/plug under door on C500, T660, T800 & W900.	2
1816260	O	Alternator: PACCAR 160 amp, brush type	0
1821275	O	Batteries: 3 AGM GP31 THR (925) 2775 CCA. For T680, T880, or W990 in cab battery box only.	0
1836106	O	Mitsubishi 105P55 12V Starter with Cummins and PX PACCAR 12 volt electrical system. W/ centralized power distribution incorporating plug-in style relays. Circuit protection for serviceability, 12-volt light system w/circuit protection circuits number & color coded. Only for Cummins or PX engines.	0
1840065	S	12V low voltage disconnect for starter battery protection.	0
1900996	O	Jump start terminals under hood.	12

<i>Sales Code</i>	<i>Std/Opt</i>	<i>Description</i>	<i>Weight</i>
1901019	O	Remote PTO/Throttle, 12-Pin, 250K End of Frame, J1939, Remote Control Provision	0
<b>Transmission &amp; Clutch</b>			
2016158	O	Transmission: Allison 4500RDS 6-speed w/o retarder, w/PTO provision. 5th generation. For vocational applications. Includes shift control, transmission oil temperature gauge, oil level sensor & heat exchanger. Transynd transmission fluid is standard on all Allison 1000, 2000, 3000 & 4000 series transmissions.	478
2406453	O	Driveline: 2 Dana SPL250XL 1 centerbearing Low maintenance offering from Spicer. On-highway 350K mi first service interval, 100K mi subsequent service interval on U-joint, splines lubed for life, quick disconnect end caps.	83
2410018	O	Torque converter included w/Allison Transmission.	0
2410151	O	Pushbutton control center console mounted. Class 8 with Allison Transmission.	0
2410204	O	Allison Fuel Sense: Delete	0
2410244	O	J1939 Park Brake Auto Neutral	0
2410310	O	Allison Neutral at Stop	0
2429378	O	Customer installed transmission PTO in the LH Mounted position (8 o'clock) for Allison 3000 & 4000 transmissions.	0
2480315	O	Severe Service rear transmission support spring(s).	15
<b>Front Axle &amp; Equipment</b>			
2506181	O	Dana Spicer D2000 Front Axle rated 20K standard track.	-27
2621078	O	Front Brakes: 22K Bendix ES S-cam 16.5x6 in.	-46
2690035	O	Front Brake Drum: 22,000 lbs. 16-1/2x6 in. Cast.	104
2702020	O	Front Hubs Iron hub pilot 20,000 lbs. 10 Bolt 16.5x6in. or 7in. or air disc brakes. 10 Bolt, 11-1/4 in. bolt circle. Consider Wheelguards (5850002) with aluminum wheels.	80
2741970	S	ConMet PreSet Plus Hub package; front axle.	0
2750001	S	Hubcap: front vented.	0
2765001	O	Front Auto Slack Adjuster.	0
2866020	S	Front Springs: Taperleaf 20K w/ shock absorbers w/ maintenance-free elastomer spring pin bushings. Standard with rubber pins except for C500 which has threaded pins. Not available on W900L. W900B use 2866021.	0
2893642	O	Dual power steering gear: 16-22K TRW THP60 Not for use on T3.	54

Sales Code	Std/Opt	Description	Weight
2899336	S	Power Steering Cooler:Radiator Mounted Air-to-Oil	0
<b>Rear Axle &amp; Equipment</b>			
3142160	S	Dual Meritor RT46-160 rear axle rated at 46K. Tandem rear axles.	0
3200430	O	Rear Axle Ratio - 4.30.	0
3334004	S	Dual Rear Brakes 16-1/2x7 in. to 46K; Bendix ES-extended service S-cam.	0
3392005	S	Dual Rear Brake Drums: cast.	0
3407050	S	Dual Rear Hubs: Aluminum hub pilot 46K 11-1/4 in. bolt circle.	0
3441972	S	ConMet PreSet Plus Hub package; dual rear axle.	0
3465002	S	Dual Rear axle automatic slack adjusters.	0
3485207	S	Spring Brake: 3030 long stroke dual 30 square inches travel. Helps keep brakes in adjustment longer.	0
3495227	O	Bendix 6S/6M anti-lock brake system.	5
3500057	O	Interaxle Driveline: 1 Dana SPL170XL Tandem Rear Axles Only	-2
3511420	O	Driver Controlled Differential Lock (Crosslock) for Meritor Axles 40K to 52K forward rear & rear rear axle. Under Speed Interlock is standard on T680.	39
3742020	O	Rear suspension: Tandem Hendrickson Primaax EX462 46K. Steel crossmember & gussets. 54 in. axle spacing. 10 in. ride height.	202
3808131	O	1 Steerable Pusher Watson-Chalin 13.5K SL13	1,245
3820036	O	1 Steerable Pusher Brakes: Bendix Non-RSD 15x4 Use with 13.5K axle.	0
3820523	O	1 Steerable Pusher brake drum 15x4 for use with 13.5K axle.	0
3821121	O	1 Steerable pusher hubs aluminum hub pilot for use with 13.5K axle.	0
3828334	O	Pusher or Tag: gauge/ switch dash-mounted, gauge LH driver's seat, regulator under driver door.	0
3830145	O	Delete standard heavy-duty air springs for rear suspension.	-28
3830510	O	Dual leveling valves for tandem air suspension.	2
3841054	O	1st Pusher location: 54 in. from c/l Forward tandem axle or single rear axle.	0
<b>Tires &amp; Wheels</b>			
4077533	S	Front tires: Bridgestone M864 425/65R22.5 20PR All Position, On/Off Highway, Wide-base tire.	0

Sales Code	Std/Opt	Description	Weight
4277513	O	Rear tires: Bridgestone M760 Ecopia 11R22.5 14PR. 42.2 in. diameter, drive. 19.6 in. SLR. Smartway certified. Code is priced per pair of tires.	168
4781359	O	1 Steerable Pusher: 2 Goodyear Endurance RSA 255/70R22.5 16PR. 36.7in. Diameter, all positions, 17.3 SLR.	-40
4900008	O	Rear Tire Quantity: 8	0
5045216	O	Front Wheel: Alcoa 82362 22.5x12.25 aluminum, with L1 One [TM] finish High Polish, hub-pilot mount. 11400lb. maximum rating. Super single. Standard track axles may be over 102 in. w/425 tires. Air disc brake compatible.	-10
5245298	O	Rear Wheel: Alcoa ULT39/Accuride 51487 22.5x8.25, aluminum outside with L1 One[TM] finish/steel Steel Armor[TM] powder coat inside, hub-pilot mount. 7400 lb. maximum rating. Includes wheel guards. Air disc brake compatible. Code is priced per pair of wheels.	-208
5781549	O	1 Steerable Pusher Wheel: 2 Alcoa Ult39 22.5x8.25 MagnaForce aluminum alloy, hub-pilot mount. 7400lb maximum rating. Air Disc Brake compatible.	-51
5853906	O	Powder coat white steel wheel. Use in conjunction with front, dual front, rear, spare or lift axle wheel code(s). All wheels on chassis must have same finish color.	0
5859010	O	Single Front Axle: 2 wheels Dura-Bright Mirror Polish Dura-Bright outboard surface of aluminum wheels.	0
5859012	O	Dual Rear Axle Wheels: 4 wheels Dura-Bright Mirror Polish Dura-Bright outboard surface of outer dual or single aluminum wheels.	0
5859031	O	1 Pusher: 2 Wheels Dura-Bright Mirror Polish Dura-Bright outboard surface of outboard wheels mounted same as front axle. For use on 1 steerable or 1 non-steerable pusher axles w/ single wheel.	0
5900008	O	Rear Wheel/Rim Quantity: 8	0
<b>Frame &amp; Equipment</b>			
6056600	O	Frame Rails: 10-3/4 x 3-1/2 x 3/8in. Steel 337in. to 416 in. Truck frame weight is 3.48 lb.-in. per pair of rails. Section modulus is 17.80, RBM is 2,132,000 in-lbs per rail. Frame rail availability may be restricted based upon application, axle/suspension capacity, fifth wheel setting, or component/dimensional specifications. The results of the engineering review may result in a change to the requested frame rail. If a change is required Kenworth Application Engineering will advise the dealer of the appropriate material specification for a substitute rail.	699
6141600	O	Full Steel Insert: for 10-5/8 in. or 10-3/4 in. Steel 337 in. to 416 in. or 2nd insert for 11-5/8 in. steel frame. Adds 1,149,000 in-lb to main rail RBM. Truck insert weight is 2.05 lb.-in. per pair of rails. Full frame insert length is equal to wheelbase plus rear frame cutoff plus dimension forward of front axle by model: T660, T680, T800, T880 = 21.26 in.; C500B = bumper setting minus 0.79 in.; W900B = 5.27 in., W900L = 1.50 in., W900S = 3.27 in.; T440/T470 50 in. bumper setting = 21.26 in., T470 73 in. bumper setting = 72.3 in.	823

Sales Code	Std/Opt	Description	Weight
6302461	O	Bumper: Tapered chrome steel channel. Requires a bumper setting code.	63
6319485	S	48.5 in. Bumper setting. Requires a bumper code.	0
6324025	O	Front tow hook: Center mounted, cast. Requires iron front drive brackets.	28
6391202	O	Custom Frame Layout: two chassis CFL DEF: MOVE DEF PUMP ASSEMBLY AS FAR REARWARD AS POSSIBLE. LIKE 260057 CFL A/T: MOVE INSIDE FRAME A/T LH BOC TO RH BOC BELOW RAIL ON BRACKET IF NECESSARY. A/T BRACKET OK IN CLEAR SPACE.	0
6405000	O	In-cab steel battery box: under rider seat or in stand alone box. Requires appropriate AGM battery code, which varies by model, and appropriate rider seat code be selected prior to entering the workscreen. Includes 1 battery disconnect switch.	-9
6409906	O	In-Cab battery box location: Under rider seat.	0
6451090	S	T470,C5, T6, T8 non-polished DPF/SCR or CNG cover diamond plate w/ step. For use w/ 2010 or later exhaust systems. For T8, use extended length non-polished battery box on opposite rail to match the length of under cab components. End plates will be painted standard black frame color.	0
6497106	O	First - RH outside and RH below rail only. Clear frame space area. Does not include fasteners or piping. Requires a supplemental length and location code. Sales tool graphics do not depict interference between requested location and other frame-mounted components. The actual chassis layout will be determined at time of engineering.	0
6497113	O	Second - LH outside and LH below rail only. Clear frame space area. Does not include BOC crossmember, fasteners or piping. Requires a supplemental length and location code. Sales tool graphics do not depict interference between requested location and other frame-mounted components. The actual chassis layout will be determined at time of engineering.	0
6497209	O	Directly behind the under cab component. First clear frame space location.	0
6497239	O	Directly behind the under cab component. Second clear frame space location.	0
6497350	O	First - 50 in. clear frame space length. The impact to other frame-mounted components will be determined at time of engineering.	0
6497541	O	Second - 41 in. clear frame space length. The impact to other frame-mounted components will be determined at time of engineering.	0
6679824	O	Width across front tires exceeds 102 inches. Dealer to review delivery constraints w/transporter.	0
6679828	O	Chassis too long for delivery in standard 3 way due to long cutoff. Dealer to review delivery options w/ transporter.	0
6721102	S	Rear mudflap arms: Betts B-25 standard-duty, straight. Includes B1732 mounting brackets as standard.	0
6722000	S	Rear mudflap shields: White plastic antisail w/	0

<i>Sales Code</i>	<i>Std/ Opt</i>	<i>Description</i>	<i>Weight</i>
		Kenworth logo.	
6742009	S	Square end-of-frame w/o crossmember; non-towing.	0
<b>Fuel Tanks &amp; Equip</b>			
7210100	O	Fuel Tank: 100 US gallon 24.5in. aluminum under replace. Class 8 fuel tanks w/o locking caps include an anti-siphon device on the filler neck.	0
7722151	O	DEF tank clear BOC (CBOC), 7.3 gallons. Requires LH under cab fuel tank. The tank will be located inboard of the LH under cab fuel tank. There is no frame space required to locate this tank. Not for use on sleeper chassis. Standard capacity is calculated by fuel capacity of the vehicle and will accommodate two diesel fill-ups for every DEF fill-up. For 1:1 DEF fuel fill ratio, add 7889204. For use with 2.1m models only.	-19
7889204	O	DEF to fuel fill ratio between 1:1 and 2:1.	0
7889247	O	Delete Anti-siphon device swaged in place for any number of fuel tanks.	-1
7889604	S	DEF tank location is LH.	0
7920100	O	Location: 100 gal fuel tank LH under cab	0
<b>Cab &amp; Equipment</b>			
8025301	S	Cab: Stamped aluminum cab with panoramic curved glass windshield. Standard with stamped aluminum doors, heavy duty in-swinging hinges, and triple sealed doors. Manufactured using self-piercing rivets and structural adhesive. Includes LED exterior marker lights and turn signals.	0
8090604	O	Hood: T880 Standard Length With Mechanically Fastened Fenders. 122.6 inch BBC.	15
8098212	O	Bright Engine Air Intake Chrome Trimmed Engine Air Intake on Both Sides of Hood	0
8108011	S	Cab HVAC - Day Cab and 40in Sleeper System With Defrost, A/C, and 48,000 BTU/hr Heater. Includes automatic temperature control with one touch defrost operation and dash mounted cab temperature and solar intensity sensors. Pleated fresh air filter and cabin recirculation air filter standard. The Kenworth HVAC system is designed to provide optimal heating and cooling in all operating environments without need for additional insulation. Cab HVAC without sleeper heater AC is available with 40in sleeper.	0
8201047	S	Kenworth Smartwheel: 18 in. Non-Leather With Integrated Radio and Cruise Controls.	0
8201051	O	Column Mtd Retarder Control, RH Side Use with Manual & Allison Transmissions Only.	0
8201200	S	Adjustable telescoping tilt steering column.	0
8203060	O	5 sets of keys. Replaces standard 2 sets of keys.	0
8203196	O	Dash Mounted Compact Trailer Brake Valve.	0



<i>Sales Code</i>	<i>Std/Opt</i>	<i>Description</i>	<i>Weight</i>
		Self Returning.	
8205177	O	<b>Dash Switch: 1st Allison-mntd PTO.</b> Electric switch and wiring are factory-installed to control the 1st Allison Trans mounted PTO.	0
8208497	O	<b>Four Spare Switches: Wired To Power.</b>	0
8221100	O	<b>Gauge: 2 air suspension pressure gauges.</b> For use w/air suspension w/dual leveling valves.	0
8221160	O	<b>Gauge: Engine Oil Temperature Gauge With Integral warning light.</b> The NavPlus HD unit includes a virtual engine oil temperature gauge.	0
8222404	S	<b>Gauge: DD Virtual Gauge - Oil Temp Engine</b>	0
8222409	S	<b>Gauge: DD Virtual Gauge - Air Filter Restriction</b>	0
8222413	S	<b>Gauge: DD Virtual Gauge - Manifold Pressure Boost</b>	0
8222414	S	<b>Gauge: DD Virtual Gauge - Engine Percent Torque</b>	0
8222722	O	<b>Gauge: Manifold Pressure Gauge.</b> The NavPlus HD unit includes a virtual manifold pressure gauge.	0
8282027	S	<b>Main Instrument Package: 15" Digital Display.</b> Includes Speedometer, Tachometer, Primary Air Pressure, Secondary Air Pressure, Fuel Level #1, DEF Level, DPF Filter Status, Fuel Economy, Oil Pressure, Coolant Temp, OAT and Voltmeter, and Air Application.	0
8300008	S	<b>Interior color: Slate Gray</b>	0
8330102	S	<b>Interior package: Vantage daycab</b> Includes durable headliner and vinyl sidewalls with geometric patterned trim and anodized aluminum accents throughout. Convenient overhead storage cubbies, full size glove box, two center console cupholders, and large door pad map pocket. Standard LH/RH power windows, electric door locks, interior LED lighting, nighttime-friendly red ambient lighting for dash and footwell, and door mounted courtesy light. Includes two standard 12V power outlets. Driver sunvisor includes strap.	0
8390634	S	<b>Rubber floormat</b>	0
8410206	S	<b>Driver Seat: GT701 HB with DuraCloth w/ Vinyl material.</b> The GT701 is standard with a single air bag, scissor linkage seat suspension. It includes a single chamber lumbar support, 10in Fore/Aft adjustment, 7in Up/Down adjustment, 2.5in pan extension, 51 degree seat back recline, and 16 degree full seat tilt. Includes 3-point matching seat belts. DR seat standard w/ dual armrests.	0
8480126	O	<b>Rider Seat: GT100 Battery/Util Box HB DuraCloth w/ Vinyl material.</b> The GT100 seats are standard with fixed base. Includes 3-point matching seat belts.	9

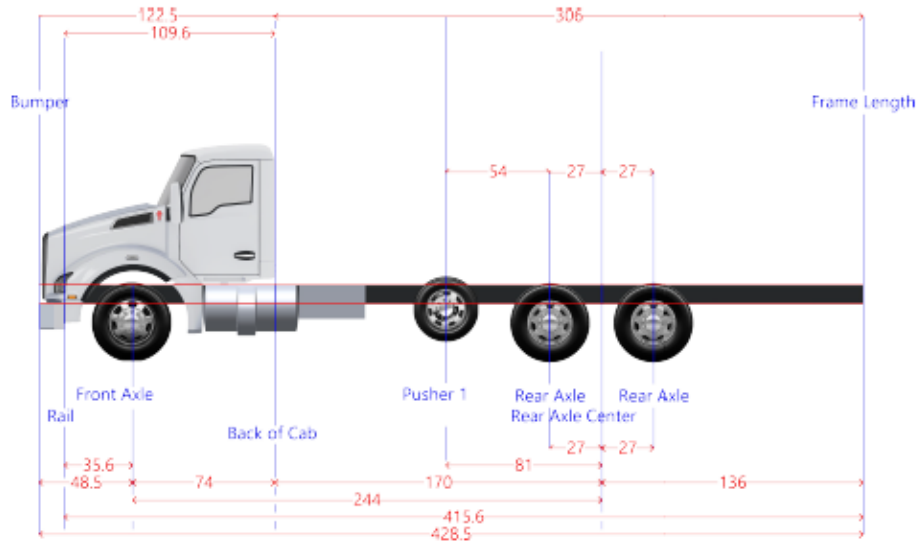
<i>Sales Code</i>	<i>Std/ Opt</i>	<i>Description</i>	<i>Weight</i>
8490181	S	<b>Seat Color: Black</b>	0
8601432	O	<b>Kenworth Radio DEA710 AM/FM/WB/USB, Bluetooth</b>	0
8698974	S	<b>Base Level Audio System - Daycab:High Performance Door Speakers.</b>	0
8699926	O	<b>CB installation kit: Center mounted of header. W/header mounted quick release CB mount. One red power post &amp; one black ground post. Includes dual antenna leads located on the mirror brackets. Includes dual antenna &amp; separate speaker.</b>	2
8700197	S	<b>Turn Signal: Non-Self Cancelling</b>	0
8700283	S	<b>LH and RH Trip Ledge Rain Deflectors</b>	0
8700663	S	<b>Kenworth TruckTech+</b> The Kenworth Remote Diagnostics system provides the Worlds Best reporting of engine and aftertreatment fault codes, as well as enhanced support for the truck owner through rapid communication of fault severity and recommended actions. This option is Standard on all Heavy Duty Kenworths with a PACCAR MX engine, Cummins X15 engine, PX engine or Natural Gas engine. Optional on Medium Duty Kenworths.	0
8800372	O	<b>Grabhandle: LH, Exterior, Side of Cab - Ergonomic</b> Grab Handle Mounted To The Left Hand Exterior Of The Cab For Entry and Exit.	3
8800402	S	<b>Dual Cab Interior Grabhandles: A Pillar Mounted</b> Dash Wrap and B Pillar Mounted Grabhandles	0
8832113	S	<b>Kenworth Daylite Door with standard LH/RH</b> electric door locks and LH/RH electric window controls.	0
8841411	S	<b>Single air horn under cab.</b>	0
8850139	S	<b>Look-Down, Pass. Door, Black 11x6</b>	0
8865002	S	<b>Aero Mirror: Dual Kenworth Aerodynamic Motorized</b> heated mirrors, 7in X 13in with cab color mirror shell and black mirror arms. Also includes LH/RH heated 6in X 7in convex mirrors. Mirror brackets set for 8-1/2 ft load width. Mirror controls located on driver side door pad.	0
8871446	S	<b>Rear cab stationary window 19in x 36in</b>	0
8890101	S	<b>One-piece bonded-in windshield with curved glass.</b> Standard.	0
8890135	S	<b>Exterior stainless steel sunvisor.</b>	19
8890300	O	<b>Fender close-out: Below headlamp, behind bumper. *NOT available with 3-piece bumper.</b>	0
8890348	O	<b>Wheelwell Fender Extension: 4.5 inches</b>	1
8890876	S	<b>Kenworth Cab/Sleeper Air Suspension.</b>	0

Sales Code	Std/Opt	Description	Weight
<b>Lights &amp; Instruments</b>			
9010553	S	Headlamps: SAE Dual Halogen Complex Reflector	0
9022137	S	Marker Lights: Five, rectangular, LED	0
9030016	S	Turn Signal Lights: Flush mounted LED. Mounted at top of fender wheel arc.	0
9030052	S	LED Stop,Turn,Tail: With Two LED Backup Lights and With An LED License Plate.	0
9058085	O	SW/WIRE/IND LT: C/I FLOOD 1ST SW THRU GROMMET UNDER CAB	0
9080206	O	Switch and Wiring:Cust. Installed Beacon Lights With Additional 20ft Jumper Harness Shipped Loose	1
9090039	S	Marker Lights: Interrupter Switch. Included in Turn Signal For All Models Except T3. The T3 Switch Is In The Dash.	0
9090049	S	Omit Brake Light with Engine Brake. Can only be selected when chassis also has engine brake. Cannot be used with options to delete engine brake.	0
9090115	O	Reflectors: Two Midframe	0
9090126	O	Electric Backup Alarm: Meets SAE J994 & OSHA requirements.	4
<b>Air Equipment</b>			
9101219	O	Air Dryer: Bendix AD-HF Extended Purge Heated With Puraguard	0
9102009	O	Moisture ejection valve: Midland automatic Use with AD-IS or AD-HF.	2
9110020	O	Full Truck Kit Gladhands mounted at end-of-frame. Seven-way female receptacle mounted at end-of-frame in taillamp bracket. Kit includes dash mounted trailer air supply valve, trailer hand control valve, and hoses/fittings for the valves. Dash mounted parking brake valve, tractor protection valve, and spring brake inversion/relay valves are standard.	15
9140020	S	Nylon air tubing in frame & cab, excluding hoses subject to excessive heat or flexing.	0
9140085	O	Bendix LQ-5 ratio valve:for Kenworth-installed pusher/tag. LQ-5 valve limits the amount of air applied to the pusher brakes. Helps prevent lockup in lightly loaded conditions.	2
9140254	O	Locate air dryer inside RH rail BOC. This code requires the use of a custom frame layout code.	0
9140289	O	Air tanks: mounted inside frame flanges where possible. This code requires the use of a custom frame layout code.	0
9140328	O	Trailer ABS electric supply through SAE J560 7-pin connector per TMC RP137).	0
<b>Extended Warranty</b>			

Sales Code	Std/Opt	Description	Weight
9200021	S	Base Warranty - Standard Service Heavy Duty 12 months / 100,000 miles / 160,000 km.	0
9212611	O	24 Month TruckTech+ Subscription for Cummins Engines	0
9220001	O	Base Warranty: Emissions 5YR/100K MI - EPA Engine (Does not include CARB Clean Idle sticker)	0
<b>Miscellaneous</b>			
9409852	O	GHG Secondary Manufacturer: Does Not Apply	0
9490003	O	Additional lead time required for off highway & /or specialty component truck.	0
9490206	O	Warning triangle reflector kit: Shipped loose. Kit consists of 3 triangles in plastic carrying case. Not floor mounted.	4
9490408	O	One 5 lb. dry chemical type fire extinguisher mounted inboard of rider seat. Class ABC.	11
9491659	S	VMUX Architecture	0
<b>Promotions</b>			
<b>Paint</b>			
9700000	O	Paint color number(s).  N9702 A - L0006 WHITE N9720 FRAME N0001 BLACK	0
9943004	O	Bumper Unpainted	0
9943048	O	Day Cab Bulk Paint	0
9943050	O	Day Cab Standard Paint	0
9944820	S	1 - Color Paint - Day Cab Color will be White if no other color is specified.	0
9965510	S	Base coat/clear coat. The Kenworth Color Selector contains additional instructions, as well as information on Kenworth paint guidelines and surface finish applications. Kenworth is standard with Dupont Imron Elite paint.	0
9999995	O	Cancel/reorder chassis. <i>Narr 280787, 282291</i>	0

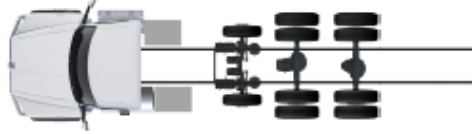
### Order Comments

## HORIZONTAL DIMENSIONS



Dimension	Measurement	Start	End
Axle Spacing	54	217	271
Bumper to Back of Cab	122.5	-48.5	74
Bumper to Front Axle	48.5	-48.5	0
Bumper to Front Frame	12.9	-48.5	-35.6
Cab to End of Frame	306.0	74	380
Cab to Rear Axle	170.0	74	244
Effective Bumper to Back Of Cab	122.5	-48.5	74
Frame Length	415.6	-35.6	380
Front Axle to Back of Cab	74.0	0	74
Front of Frame to Axle	35.6	-35.6	0
Load Space	306.0	74	380
Overall Length	428.5	-48.5	380
Overhang	136.0	244	380
Pusher Offset #1	-27.0	217	244
Pusher Offset #2	27.0	217	244
Pusher Offset #3	27.0	217	244
Tag Offset	27.0	244	271
Wheelbase	244	0	244

## FRAME LAYOUT



**Note:** Optional content may be displayed. The order has not yet received an engineering review. The actual arrangement of components may not be exactly as pictured. Additional changes may be made to the layout by Kenworth. Add a Custom Frame Layout code if an exact layout is required.

### Selected Options (Wheelbase: 244)

Sales Code	Description	Length	Side
7210100	Fuel Tank: 100 US gallon 24.5in. aluminum under	50	Left
7722151	DEF tank clear BOC (CBOC), 7.3 gallons.	20	Left
6497350	First - 50 in. clear frame space length.	50	Right
6497541	Second - 41 in. clear frame space length.	41	Left
6405000	In-cab steel battery box under rider seat or in	20	Center