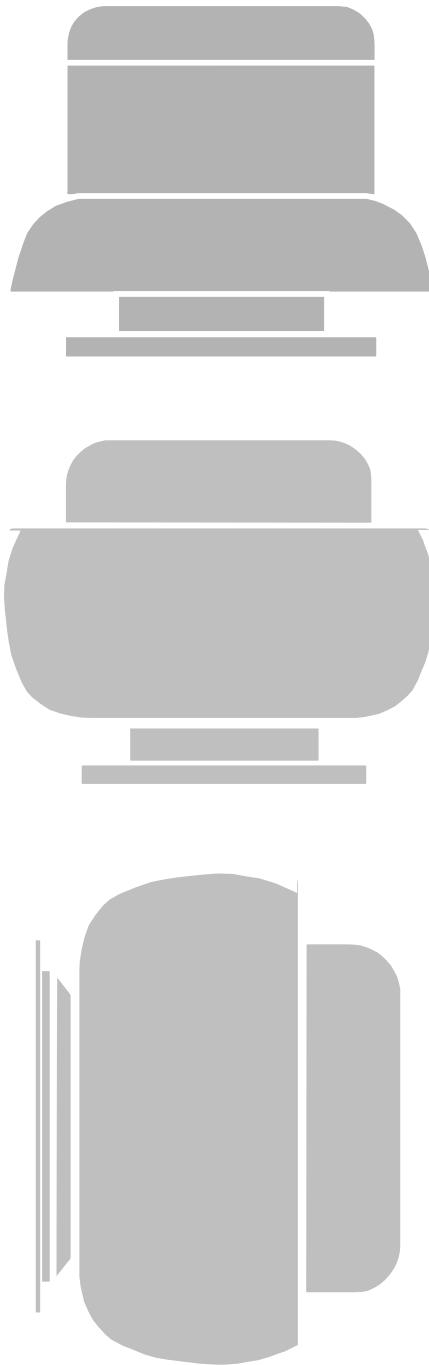


AC



AC

Power Roof and Wall Ventilators



	Page
Introduction	2-3
Construction Features	4-5
Specifications and Dimension Data	
ACED	6
ACEB	7
ACRUD (Std, HP, XP)	8
ACRUB (Std, HP, XP)	9
ACWD (Std, HP, XP)	10
ACWB (Std, HP, XP)	11
ACSC (Std, HP, XP)	12
Accessories & Options	
Seismic Ratings	13
Hurricane & High Wind Ratings	14-15
Accessories	16-20
Motors	21
ACE Performance & Sound Data	
70-135 ACED EC, 70 ACED	22
90-180 ACED	23
60 - 80 ACEB	24-25
100 - 135 ACEB	26-27
150-180 ACEB	28-29
195-225 ACEB	30-31
245-300 ACEB	32-33
330-402 ACEB	34-35
445-540 ACEB	36-37
ACRU/ACSC Performance & Sound Data	
70-135 ACRUD-EC	38
70-135 ACRUD	39
150 ACRUDEDEC-HP, 165 ACRUDEDEC-XP	40
150-195 ACRUD / ACRUD-HP, 165-195 ACRUD-XP	41
100-135 ACRUB / ACSC	42-43
150 ACRUB / ACSC (Std, HP)	44-45
165 ACRUB / ACSC (Std, HP, XP)	46-47
180 ACRUB / ACSC (Std, HP, XP)	48-49
195 ACRUB / ACSC (Std, HP, XP)	50-51
210 ACRUB / ACSC (Std, HP, XP)	52-53
225 ACRUB / ACSC (Std, HP, XP)	54-55
245 ACRUB / ACSC (Std, HP, XP)	56-57
270 ACRUB / ACSC (Std, HP, XP)	58-59
300 ACRUB / ACSC (Std, HP, XP)	60-61
330 ACRUB / ACSC (Std, HP, XP)	62-63
365 ACRUB / ACSC (Std, HP, XP)	64-65
402-490 ACRUB / ACSC	66-67
ACW Performance & Sound Data	
70-135 ACWD-EC	68
70-135 ACWD	69
150 ACWDEC-HP, 165-180 ACWDEC-XP	70
150-180 ACWD, 150-195 ACWD-HP, 165-195 ACWD-XP	71
100-135 ACWB	72-73
150 ACWB (Std, HP)	74-75
165 ACWB (Std, HP, XP)	76-77
180 ACWB (Std, HP, XP)	78-79
195 ACWB (Std, HP, XP)	80-81
210 ACWB (Std, HP, XP)	82-83
225 ACWB (Std, HP, XP)	84-85
245 ACWB (Std, HP, XP)	86-87
Related Products	88

INTRODUCTION

COOK power roof and wall ventilators provide maximum performance and durability in a wide variety of commercial and industrial air moving applications. Exhaust applications include general ventilation, fume-hood, paint booth and smoke control systems.

- AC unit top cap assembly is designed to provide weather protection for the motor and drive components while maintaining easy, tool free access for inspection and maintenance.
- Standard lifting lugs, located under the top cap, provide for safe, fast and efficient lifting of the unit to a rooftop.
- One piece fan base, which includes a high-efficiency inlet venturi and continuously welded curb cap corners, ensures weathertight conditions.
- Spun aluminum baffle is designed to provide smooth, turbulent-free airflow.
- Wheels are centrifugal type featuring non-overloading, backward-inclined blades and a tapered inlet shroud.
- Accurate performance is assured through compliance with the AMCA Certified Ratings Program. All units are licensed to bear the AMCA Certified Ratings Seal for Air and Sound Performance.

ACE

Downblast Centrifugal Exhaust Ventilator



- Typically used in roof mounted clean-air exhaust applications.
- ACE available in 9 direct drive sizes and 21 belt drive sizes. Capacities range from 100 to 32,300 CFM, with static pressures from 0 to 1-1/2 inches.
- ACED-EC models with electronically commutated (EC) motors are available in 6 direct drive sizes with capacities from 63 to 2620 cfm.

ACRU

Upblast Centrifugal Exhaust Ventilator



- Typically used in roof mounted applications where it is necessary to eject contaminated air away from a rooftop.
- ACRU available in 9 direct drive sizes and 17 belt drive sizes. Capacities range from 200 to 28,800 CFM, with static pressures from 0 to 1-1/2 inches.
- ACRU-HP available in 4 direct drive and 11 belt drive high pressure sizes. Capacities range from 700 to 19,200 CFM, with static pressures from 1/4 to 2-1/2 inches.
- ACRU-XP available in 3 direct drive and 10 belt drive extended pressure sizes. Capacities range from 800 to 11,000 CFM, with static pressures from 1 to 4-1/2 inches.
- ACRUD-EC models with electronically commutated (EC) motors are available in 6 direct drive sizes with capacities from 74 to 2598 cfm.

ACW

Wall Mount Centrifugal Exhaust Ventilator



- Designed specifically for wall mounting, to discharge contaminated air perpendicular to a wall.
- ACW available in 9 direct drive sizes and 10 belt drive sizes. Capacities range from 100 to 8,200 CFM, with static pressures from 0 to 1-1/2 inches.
- ACW-HP available in 4 direct drive and 11 belt drive high pressure sizes. Capacities range from 700 to 19,200 CFM, with static pressures from 1/4 to 2-1/2 inches.
- ACW-XP available in 3 direct drive and 10 belt drive extended pressure sizes. Capacities range from 800 to 11,000 CFM, with static pressures from 1 to 4-1/2 inches.
- ACWD-EC models with electronically commutated (ec) motors are available in 6 direct drive sizes with capacities from 63 to 2620 cfm.

ACSC

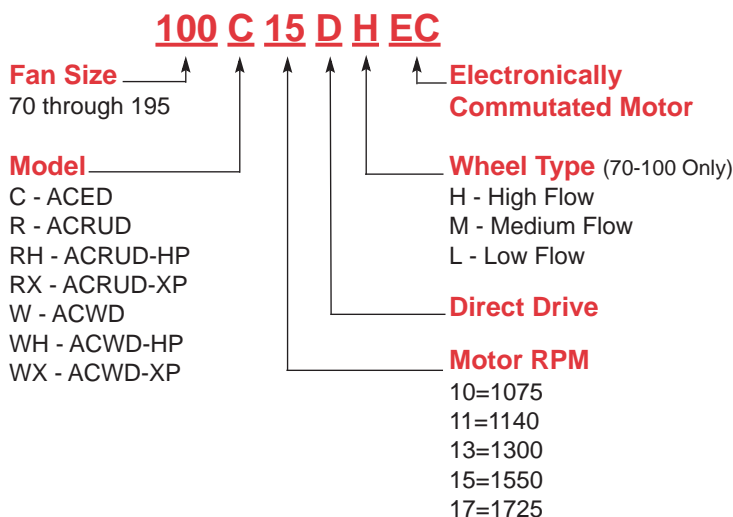
Smoke Control Ventilator



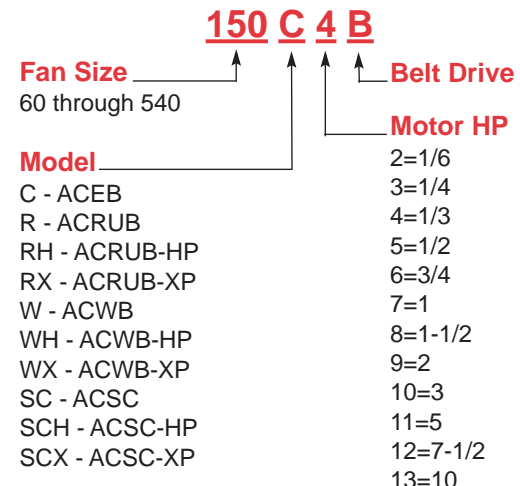
- Upblast Centrifugal Roof Mounted Exhaust Ventilator is listed as Power Ventilator for Smoke Control Systems to withstand 500°F airstream temperature for a minimum of four hours (IRI) and withstand 1000°F for a minimum of 15 minutes (SBSCCI). Ambient temperature is not to exceed 120°F.
- The UL Listing "Power Ventilator for Smoke Control Systems" is a test procedure and category which was initiated by LOREN COOK COMPANY and developed in a joint effort with UL in 1990. Several different sources were used in the definition of the test procedure. These sources include UL Standards 705, 762, 793, Southern Building Code Congress International (SBCCI) Standard Fire Prevention Code/1988, and Industrial Risk Insurers (IRI) Document E2.
- ACSC available in 17 belt drive sizes. Capacities range from 400 to 28,800 CFM, with static pressures from 0 to 1-1/2 inches.
- ACSC-HP available in 11 belt drive high pressure sizes. Capacities range from 700 to 19,200 CFM, with static pressures from 1/4 to 2-1/2 inches.
- ACSC-XP available in 10 belt drive extended pressure sizes. Capacities range from 800 to 11,000 CFM, with static pressures from 1 to 4-1/2 inches.

Model Number Chart

Direct Drive Models

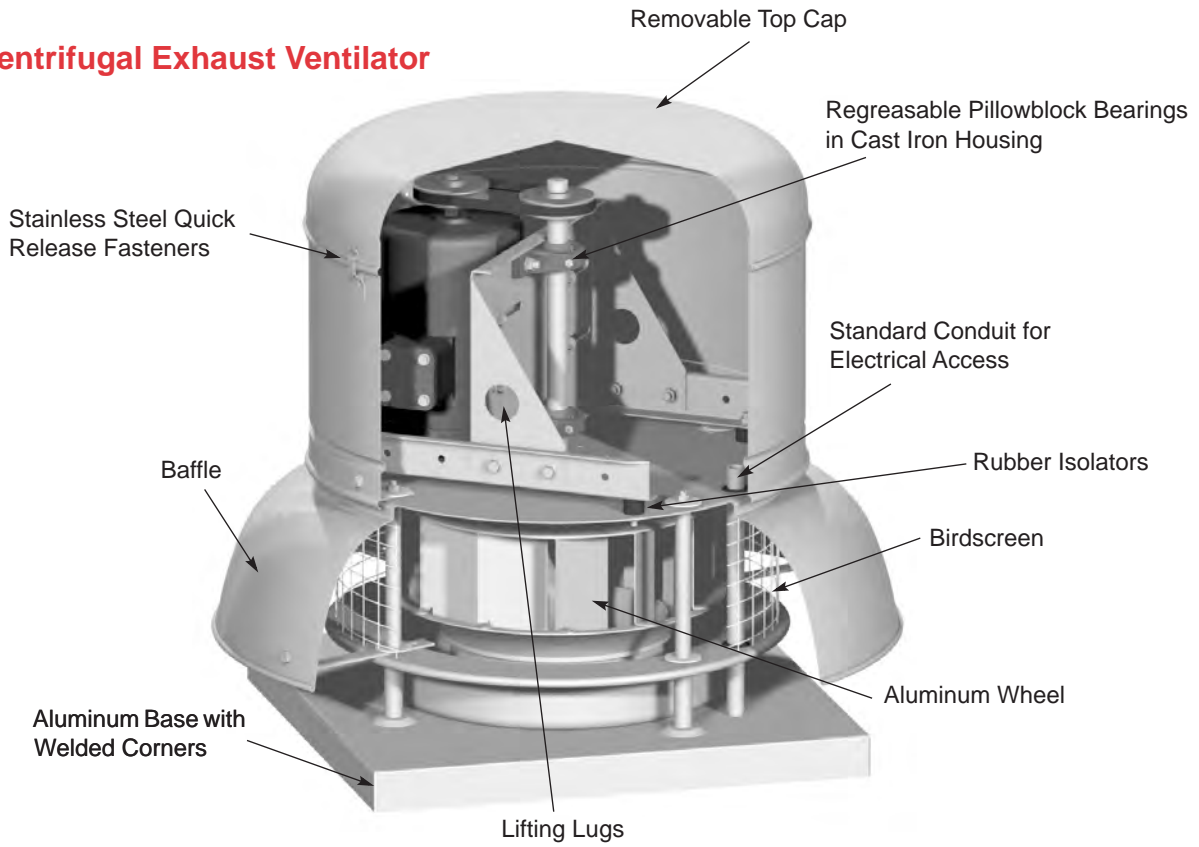


Belt Drive Models

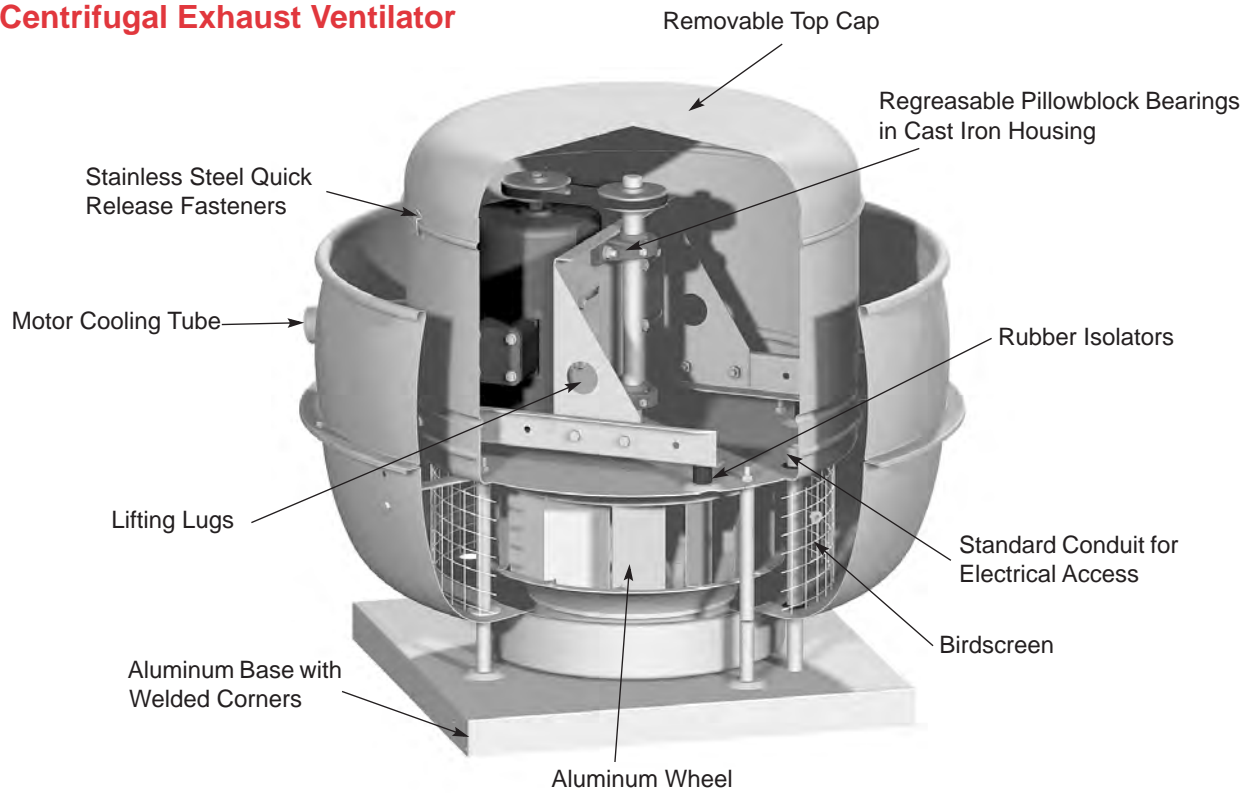


CONSTRUCTION FEATURES

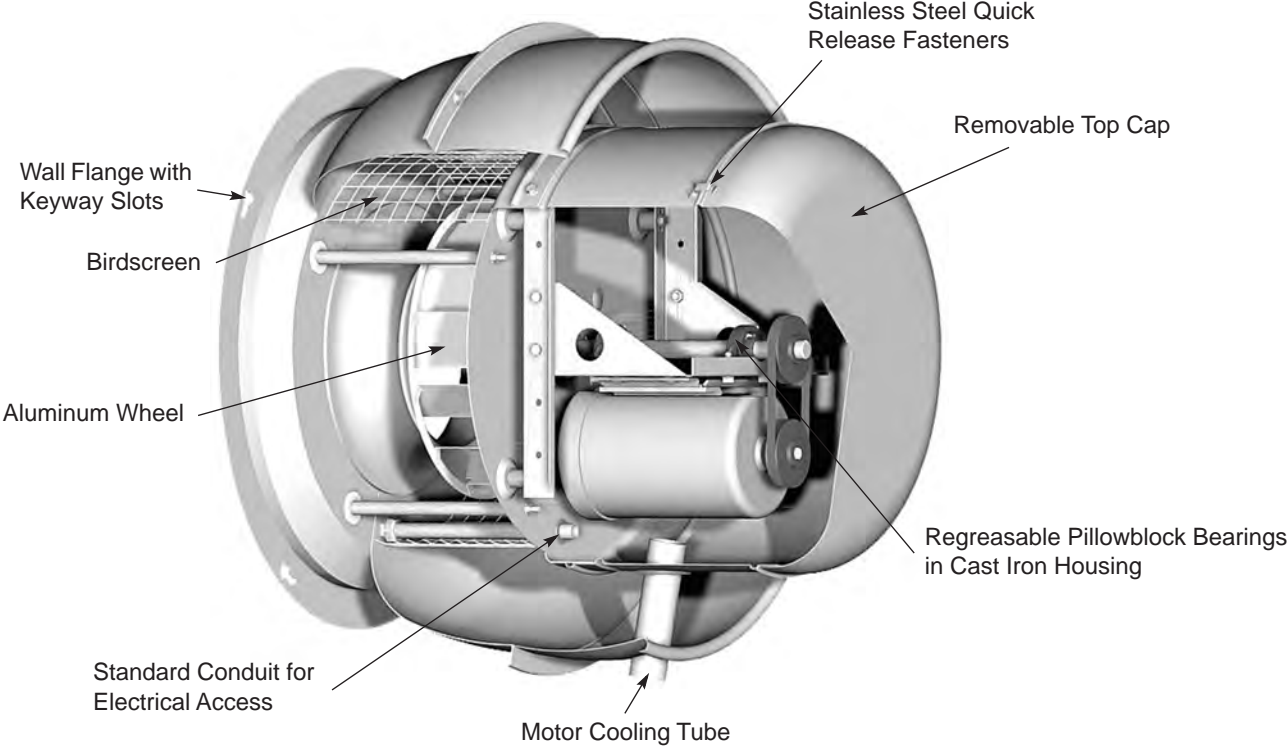
ACEB Downblast Centrifugal Exhaust Ventilator



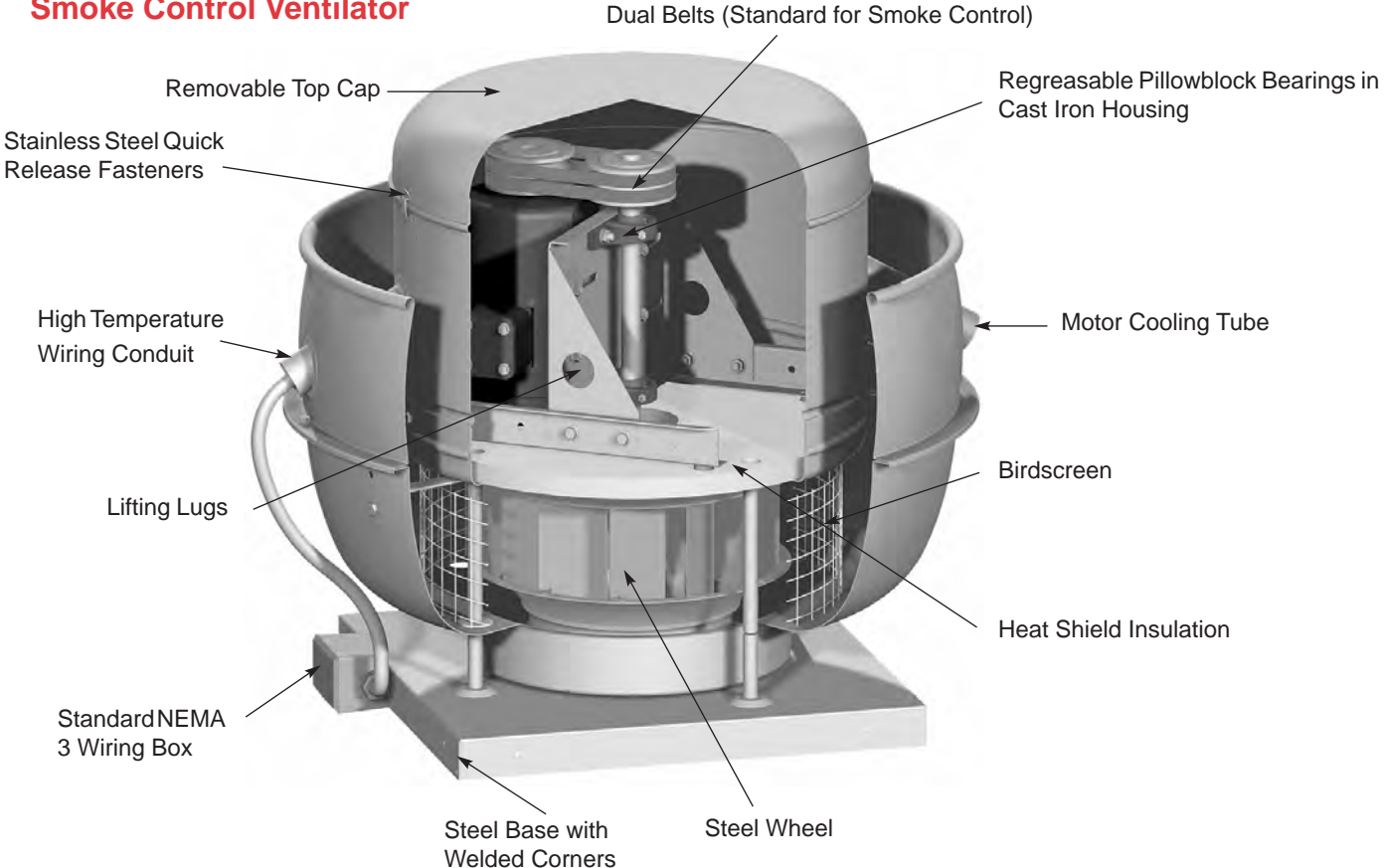
ACRUB Upblast Centrifugal Exhaust Ventilator



ACWB
Wall Mount Centrifugal Exhaust Ventilator



ACSC
Smoke Control Ventilator



ACED Specifications and Dimension Data

Downblast Centrifugal Exhaust Ventilator Roof Mounted Direct Drive

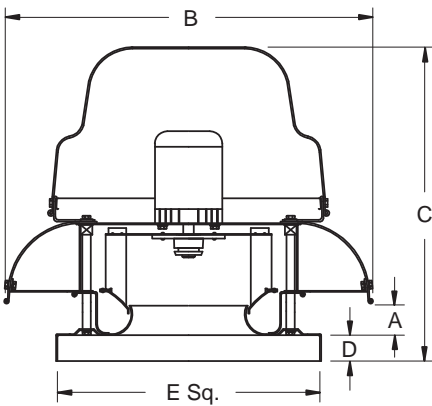


LOREN COOK COMPANY certifies that the ACED and ACED-EC shown herein are licensed to bear the AMCA Seal. The ratings shown are based on tests and procedures performed in accordance with AMCA Publication 211 and AMCA Publication 311 and comply with the requirements of the AMCA Certified Ratings Program.

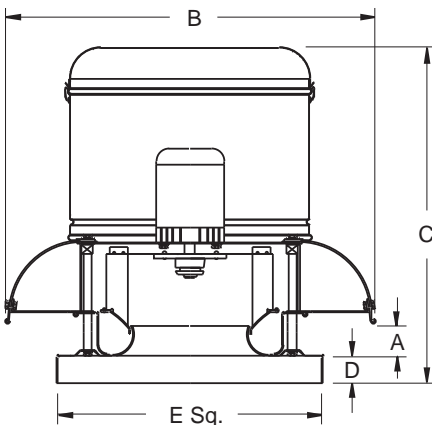


Type ACED and ACED-EC are furnished standard with UL 705 and cUL 705 listings (Power Ventilator/ZACT).

Sizes 70 - 100



Sizes 101 - 180



Description - Fan shall be a spun aluminum, roof mounted, direct driven, downblast centrifugal exhaust ventilator.

Certifications - Fan shall be manufactured at an ISO 9001 certified facility. Fan shall be listed by Underwriters Laboratories (UL 705) and UL listed for Canada (cUL 705). Fan shall bear the AMCA Certified Ratings Seal for Sound and Air Performance.

Construction - Fan shall be of bolted and welded construction utilizing corrosion resistant fasteners. The spun aluminum structural components shall be constructed of minimum 16 gauge marine alloy aluminum, bolted to a rigid aluminum support structure. The aluminum base shall have continuously welded curb cap corners for maximum leak protection. The discharge baffle shall have a rolled bead for added strength. An integral conduit chase shall be provided through the curb cap and into the motor compartment to facilitate wiring connections. The motor shall be enclosed in a weather-tight compartment, separated from the exhaust airstream. Unit shall bear an engraved aluminum nameplate. Nameplate shall indicate design CFM and static pressure. Unit shall be shipped in ISTA Certified Transit Tested Packaging.

Wheel - Wheel shall be centrifugal backward inclined, constructed of 100% aluminum, including a precision machined cast aluminum hub. An aerodynamic aluminum inlet cone shall be provided for maximum performance and efficiency. Wheel shall be balanced in accordance with AMCA Standard 204-05, Balance Quality and Vibration Levels for Fans.

Motor - Motor shall be heavy duty type with permanently lubricated sealed bearings and furnished at the specified voltage, phase and enclosure.

Motor EC - Motor shall be an electronically commutated motor rated for continuous duty and furnished either with internally mounted potentiometer speed controller or with leads for connection to 0-10 VDC external controller.

Product - Fan shall be model ACED or ACED-EC as manufactured by LOREN COOK COMPANY of Springfield, Missouri.

Dimension Data

Size	A	B	C	D	E Sq.	Roof Opening Square*	Ship. Wt.
70	1-3/4	13-5/8	13-13/16	2	18	13-1/2	20
90	2-1/2	18-3/4	16-13/16	2	18	13-1/2	28
100	2-1/2	18-3/4	16-13/16	2	18	13-1/2	30
101	2-3/8	23-9/16	21-1/8	2	18	13-1/2	30
120	1-7/16	28-7/16	26-9/16	2	20	15-1/2	67
135	1-15/16	28-7/16	27-1/16	2	20	15-1/2	72
150	2-13/16	32-7/8	28-11/16	2	24	19-1/2	87
165	3-5/16	32-7/8	29-3/16	2	24	19-1/2	90
180	3-5/16	37-11/16	33-15/16	3	30	25-1/2	102

All dimensions in inches. *Roof opening size for curbs supplied by LOREN COOK COMPANY only. Weights in pounds.

Description - Fan shall be a spun aluminum, roof mounted, belt driven, downblast centrifugal exhaust ventilator.

Certifications - Fan shall be manufactured at an ISO 9001 certified facility. Fan shall be listed by Underwriters Laboratories (UL 705) and UL listed for Canada (cUL 705). Fan shall bear the AMCA Certified Ratings Seal for Sound and Air Performance.

Construction - Fan shall be of bolted and welded construction utilizing corrosion resistant fasteners. The spun aluminum structural components shall be constructed of minimum 16 gauge marine alloy aluminum, bolted to a rigid aluminum support structure. The aluminum base shall have continuously welded curb cap corners for maximum leak protection. The discharge baffle shall have a rolled bead for added strength. A two piece top cap shall have stainless steel quick release latches to provide access into the motor compartment without the use of tools. An integral conduit chase shall be provided through the curb cap and into the motor compartment to facilitate wiring connections. The motor, bearings and drives shall be mounted on a minimum 14 gauge steel power assembly, isolated from the unit structure with rubber vibration isolators. These components shall be enclosed in a weather-tight compartment, separated from the exhaust airstream. Lifting lugs shall be provided to help prevent damage from improper lifting. Unit shall bear an engraved aluminum nameplate. Nameplate shall indicate design CFM, static pressure and maximum fan RPM. Unit shall be shipped in ISTA Certified Transit Tested Packaging.

Wheel - Wheel shall be centrifugal backward inclined, constructed of 100 percent aluminum, including a precision machined cast aluminum hub. Wheel inlet shall overlap an aerodynamic aluminum inlet cone to provide maximum performance and efficiency. Wheel shall be balanced in accordance with AMCA Standard 204-05, Balance Quality and Vibration Levels for Fans.

Motor - Motor shall be NEMA design B with class B insulation rated for continuous duty and furnished at the specified voltage, phase and enclosure.

Bearings - Bearings shall be designed and individually tested specifically for use in air handling applications. Construction shall be heavy duty regreasable ball type in a cast iron pillowblock housing selected for a minimum L50 life in excess of 200,000 hours at maximum cataloged operating speed.

Belts and Drives - Belts shall be oil and heat resistant, static conducting. Drives shall be precision machined cast iron type, keyed and securely attached to the wheel and motor shafts. Drives shall be sized for 150 percent of the installed motor horsepower. The variable pitch motor drive must be factory set to the specified fan RPM.

Product - Fan shall be model ACEB as manufactured by LOREN COOK COMPANY of Springfield, Missouri.

**Downblast Centrifugal
Exhaust Ventilator
Roof Mounted
Belt Drive**



LOREN COOK COMPANY certifies that the ACEB shown herein is licensed to bear the AMCA Seal. The ratings shown are based on tests and procedures performed in accordance with AMCA Publication 211 and AMCA Publication 311 and comply with the requirements of the AMCA Certified Ratings Program.

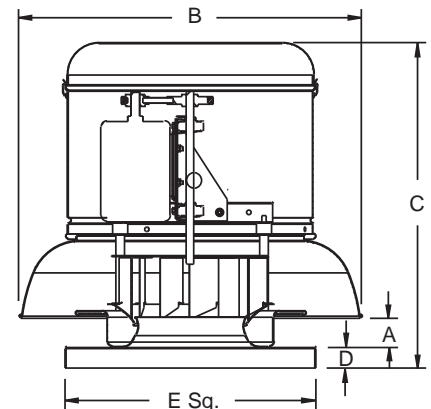


Type ACEB is furnished standard with UL 705 and cUL 705 listings (Power Ventilator/ZACT) when furnished with factory supplied motor.

Dimension Data

Size	A	B	C	D	E Sq.	Roof Opening Square*	Ship. Wt.
60	2-7/8	23-9/16	21-1/8	2	18	13-1/2	30
70	2-7/8	23-9/16	21-1/8	2	18	13-1/2	30
80	2-7/8	23-9/16	21-1/8	2	18	13-1/2	30
100	2-7/8	23-9/16	21-1/8	2	18	13-1/2	30
120	1-13/16	28-7/16	26-7/8	2	20	15-1/2	55
135	2-3/16	28-7/16	27-1/4	2	20	15-1/2	60
150	3-1/16	32-7/8	28-7/8	2	24	19-1/2	70
165	3-9/16	32-7/8	29-3/8	2	24	19-1/2	75
180	3-15/16	37-11/16	34-1/2	3	30	25-1/2	90
195	4-7/16	37-11/16	35	3	30	25-1/2	100
210	4-3/4	43-5/8	37-1/4	3	30	25-1/2	200
225	4-7/8	43-5/8	37-3/8	3	30	25-1/2	220
245	6-1/8	47-5/8	39-7/8	3	30	25-1/2	240
270	6-1/8	47-5/8	39-7/8	3	36	31-1/2	260
300	7-1/16	52-5/8	49-1/16	3	36	31-1/2	300
330	7-5/16	52-5/8	49-5/16	3	42	37-1/2	365
365	8-1/16	62-5/8	51-9/16	3	42	37-1/2	380
402	10-1/16	62-5/8	53-9/16	3	48	43-1/2	440
445	9-3/4	75-3/16	57-1/16	3	54	49-1/2	500
490	11-1/2	75-3/16	58-13/16	3	54	49-1/2	650
540	12-1/2	81-15/16	60-5/16	3	66	61-1/2	858

All dimensions in inches. Weights in pounds, less motor. *Roof opening size for curbs supplied by LOREN COOK COMPANY only.



ACRUD Specifications and Dimension Data

Upblast Centrifugal Exhaust Ventilator Roof Mounted Direct Drive

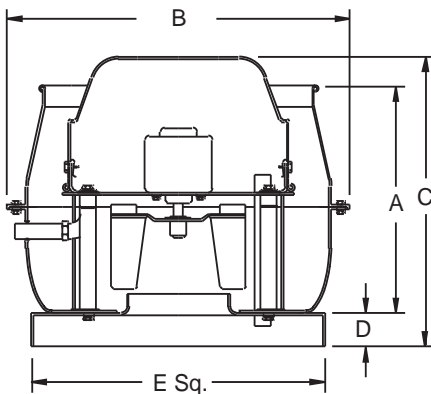


LOREN COOK COMPANY certifies that the ACRUD, ACRUD-EC, ACRUD-HP, ACRUDEDEC-HP, ACRUD-XP, and ACRUDEDEC-XP shown herein are licensed to bear the AMCA Seal. The ratings shown are based on tests and procedures performed in accordance with AMCA Publication 211 and AMCA Publication 311 and comply with the requirements of the AMCA Certified Ratings Program.

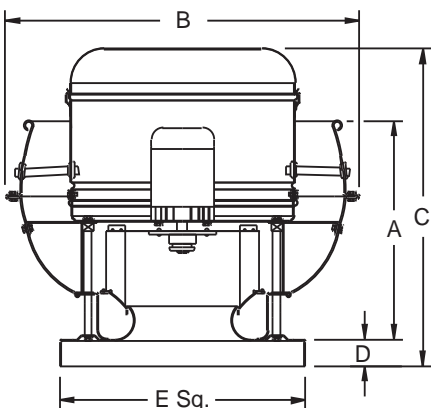


Type ACRUD, ACRUD-EC, ACRUD-HP, ACRUDEDEC-HP and ACRUD-XP, ACRUDEDEC-XP are furnished standard with UL 705 and cUL 705 listings (Power Ventilator/ZACT).

Size 70 - 100



Size 101 - 180



Description - Fan shall be a spun aluminum, roof mounted, direct driven, upblast centrifugal exhaust ventilator.

Certifications - Fan shall be manufactured at an ISO 9001 certified facility. Fan shall be listed by Underwriters Laboratories (UL 705) and UL listed for Canada (cUL 705). Fan shall bear the AMCA Certified Ratings Seal for Sound and Air Performance.

Construction - Fan shall be of bolted and welded construction utilizing corrosion resistant fasteners. The spun aluminum structural components shall be constructed of minimum 16 gauge marine alloy aluminum, bolted to a rigid aluminum support structure. The aluminum base shall have a one piece inlet spinning and continuously welded curb cap corners for maximum leak protection. The windband shall have a rolled bead for added strength. An integral conduit chase shall be provided into the motor compartment to facilitate wiring connections. The motor shall be enclosed in a weather-tight compartment, separated from the exhaust airstream. Unit shall bear an engraved aluminum nameplate. Nameplate shall indicate design CFM and static pressure. Unit shall be shipped in ISTA Certified Transit Tested Packaging.

Wheel - Wheel shall be centrifugal backward inclined, constructed of 100 percent aluminum, including a precision machined cast aluminum hub. An aerodynamic aluminum inlet cone shall be provided for maximum performance and efficiency. Wheel shall be balanced in accordance with AMCA Standard 204-05, Balance Quality and Vibration Levels for Fans.

Motor - Motor shall be heavy duty type with permanently lubricated sealed bearings and furnished at the specified voltage, phase and enclosure.

Motor EC - Motor shall be an electronically commutated motor rated for continuous duty and furnished either with internally mounted potentiometer speed controller or with leads for connection to 0-10 VDC external controller.

Product - Fans shall be models ACRUD, ACRUD-EC, ACRUDEDEC-HP, ACRUDEDEC-XP, ACRUD-HP or ACRUD-XP as manufactured by LOREN COOK COMPANY of Springfield, Missouri.

Dimension Data

Size	A	B	C			D	E Sq.	Roof Opening Square*	Ship. Wt.
			ACRUD	ACRUD-HP	ACRUD-XP				
70	10-3/4	17-1/8	13-3/8	-	-	2	18	13-1/2	20
90	13-1/4	21-1/8	16-3/8	-	-	2	18	13-1/2	28
100	13-1/4	21-1/8	16-3/8	-	-	2	18	13-1/2	30
101	12-1/2	25-1/4	20-3/16	-	-	2	18	13-1/2	30
120	19-1/16	30-3/16	28-1/8	-	-	2	20	15-1/2	67
135	19-1/16	30-3/16	28-5/8	-	-	2	20	15-1/2	72
150	20-15/16	34-11/16	30-1/4	27-1/2	-	2	24	19-1/2	87
165	20-15/16	34-11/16	30-3/4	27-3/4	26-11/16	2	24	19-1/2	90
180	24-13/16	39-7/16	35-7/8	33-3/8	31-7/16	3	30	25-1/2	102
195	24-13/16	19-7/16	-	33-1/2	32-1/8	3	30	25-1/2	110

All dimensions in inches. Weights in pounds. *Roof opening size for curbs supplied by LOREN COOK COMPANY only.

Description - Fan shall be a spun aluminum, roof mounted, belt driven, upblast centrifugal exhaust ventilator.

Certifications - Fan shall be manufactured at an ISO 9001 certified facility. Fan shall be listed by Underwriters Laboratories (UL 705) and UL listed for Canada (cUL 705). Fan shall bear the AMCA Certified Ratings Seal for Sound and Air Performance.

Construction - Fan shall be of bolted and welded construction utilizing corrosion resistant fasteners. The spun aluminum structural components shall be constructed of minimum 16 gauge marine alloy aluminum, bolted to a rigid aluminum support structure. The aluminum base shall have a one piece inlet spinning and continuously welded curb cap corners for maximum leak protection. The windband shall have a rolled bead for added strength. A two piece top cap shall have stainless steel quick release latches to provide access into the motor compartment without the use of tools. An integral conduit chase shall be provided into the motor compartment to facilitate wiring connections. The motor, bearings and drives shall be mounted on a minimum 14 gauge steel power assembly, isolated from the unit structure with rubber vibration isolators. These components shall be enclosed in a weather-tight compartment, separated from the exhaust airstream. Lifting lugs shall be provided to help prevent damage from improper lifting. Unit shall bear an engraved aluminum nameplate. Nameplate shall indicate design CFM, static pressure and maximum fan RPM. Unit shall be shipped in ISTA Certified Transit Tested Packaging.

Wheel - Wheel shall be centrifugal backward inclined, constructed of 100 percent aluminum, including a precision machined cast aluminum hub. Wheel inlet shall overlap an aerodynamic aluminum inlet cone to provide maximum performance and efficiency. Wheel shall be balanced in accordance with AMCA Standard 204-05, Balance Quality and Vibration Levels for Fans.

Motor - Motor shall be NEMA design B with class B insulation rated for continuous duty and furnished at the specified voltage, phase and enclosure.

Bearings - Bearings shall be designed and individually tested specifically for use in air handling applications. Construction shall be heavy duty regreasable ball type in a cast iron pillowblock housing selected for a minimum L50 life in excess of 200,000 hours at maximum cataloged operating speed.

Belts and Drives - Belts shall be oil and heat resistant, static conducting. Drives shall be precision machined cast iron type, keyed and securely attached to the wheel and motor shafts. Drives shall be sized for 150 percent of the installed motor horsepower. The variable pitch motor drive must be factory set to the specified fan RPM.

Product - Fans shall be models ACRUB, ACRUB-HP or ACRUB-XP as manufactured by LOREN COOK COMPANY of Springfield, Missouri.

Dimension Data

Size	A	B	C			D	E Sq.	Roof Opening Square*	Ship. Wt.
			ACRUB	ACRUB-HP	ACRUB-XP				
100	12-1/2	25-1/4	20-3/16	-	-	2	18	13-1/2	30
120	19-1/16	30-3/16	28-1/4	-	-	2	20	15-1/2	61
135	19-1/16	30-3/16	28-5/8	-	-	2	20	15-1/2	66
150	20-15/16	34-11/16	30-1/4	27-1/2	-	2	24	19-1/2	77
165	20-15/16	34-11/16	30-3/4	27-3/4	26-11/16	2	24	19-1/2	83
180	24-13/16	39-7/16	35-7/8	33-3/8	31-9/16	3	30	25-1/2	100
195	24-13/16	39-7/16	36-3/8	33-1/2	32-1/8	3	30	25-1/2	110
210	25-15/16	45-1/4	38-3/8	35-3/8	32-3/4	3	30	25-1/2	220
225	25-15/16	45-1/4	38-1/8	35-1/2	33-5/16	3	30	25-1/2	242
245	28-1/2	49-1/4	41-1/16	37-5/16	34-1/16	3	30	25-1/2	264
270	28-1/2	49-1/4	41-1/16	37-5/16	35	3	36	31-1/2	286
300	33-7/8	54-1/4	49-15/16	45-15/16	41-7/16	3	36	31-1/2	336
330	34-1/8	54-1/4	50-7/16	46-11/16	43-1/8	3	42	37-1/2	374
365	36-3/8	64-1/4	52-7/16	48-7/16	44-1/4	3	42	37-1/2	420
402	37-7/8	64-1/4	54-11/16	-	-	3	48	43-1/2	484
445	31-5/8	76-1/4	57-3/16	-	-	3	54	49-1/2	556
490	33-3/8	76-1/4	58-1/16	-	-	3	54	49-1/2	715

All dimensions in inches. *Roof opening size for curbs supplied by LOREN COOK COMPANY only. Weights in pounds, less motor.

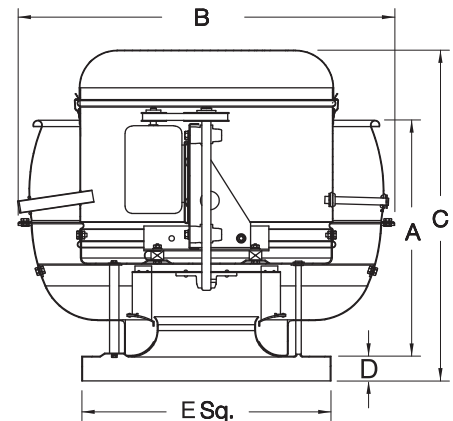
**Upblast Centrifugal Exhaust Ventilator
Roof Mounted
Belt Drive**



LOREN COOK COMPANY certifies that the ACRUB, ACRUB-HP and ACRUB-XP shown herein are licensed to bear the AMCA Seal. The ratings shown are based on tests and procedures performed in accordance with AMCA Publication 211 and AMCA Publication 311 and comply with the requirements of the AMCA Certified Ratings Program.



Type ACRUB, ACRUB-HP and ACRUB-XP are furnished standard with UL 705 and cUL 705 listings (Power Ventilator/ZACT) when furnished with factory supplied motor.



ACWD Specifications and Dimension Data

Centrifugal Exhaust Ventilator Wall Mounted Direct Drive

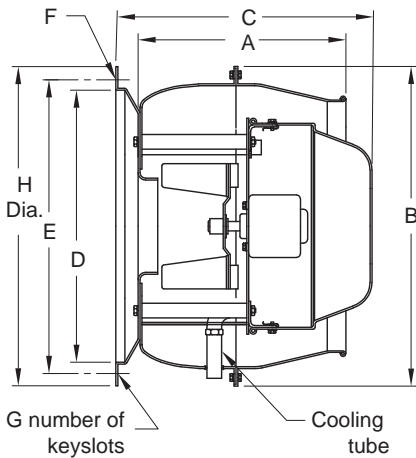


LOREN COOK COMPANY certifies that the ACWD, ACWD-EC, ACWD-HP, ACWDEC-HP, ACWD-XP, and ACWDEC-XP shown herein are licensed to bear the AMCA Seal. The ratings shown are based on tests and procedures performed in accordance with AMCA Publication 211 and AMCA Publication 311 and comply with the requirements of the AMCA Certified Ratings Program.

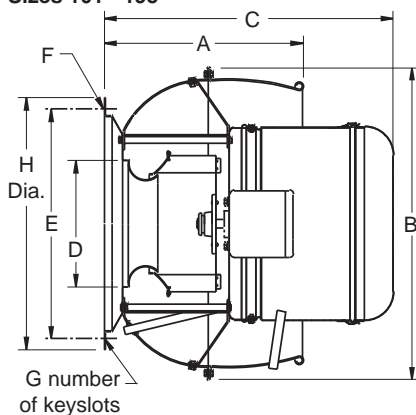


Type ACWD, ACWD-EC, ACWD-HP, ACWDEC-HP, ACWD-XP, and ACWDEC-XP are furnished standard with UL 705 and cUL 705 listings (Power Ventilator/ZACT).

Sizes 70 - 100



Sizes 101 - 195



Description - Fan shall be a spun aluminum, wall mounted, direct driven, horizontal centrifugal exhaust ventilator.

Certifications - Fan shall be manufactured at an ISO 9001 certified facility. Fan shall be listed by Underwriters Laboratories (UL 705) and UL listed for Canada (cUL 705). Fan shall bear the AMCA Certified Ratings Seal for Sound and Air Performance.

Construction - Fan shall be of bolted and welded construction utilizing corrosion resistant fasteners. The spun aluminum structural components shall be constructed of minimum 16 gauge marine alloy aluminum, bolted to a rigid aluminum support structure. The spun aluminum wall flange shall have pre-punched keyslot holes and a mounting template with wall opening location for ease of installation. The windband shall have a rolled bead for added strength. An integral conduit chase shall be provided into the motor compartment to facilitate wiring connections. The motor shall be enclosed in a weather-tight compartment, separated from the exhaust airstream. Unit shall bear an engraved aluminum nameplate. Nameplate shall indicate design CFM and static pressure. Unit shall be shipped in ISTA Certified Transit Tested Packaging.

Wheel - Wheel shall be centrifugal backward inclined, constructed of 100 percent aluminum, including a precision machined cast aluminum hub. Wheel inlet shall overlap an aerodynamic aluminum inlet cone to provide maximum performance and efficiency. Wheel shall be balanced in accordance with AMCA Standard 204-05, Balance Quality and Vibration Levels for Fans.

Motor - Motor shall be heavy duty type with permanently lubricated sealed bearings and furnished at the specified voltage, phase and enclosure.

Motor EC - Motor shall be an electronically commutated motor rated for continuous duty and furnished either with internally mounted potentiometer speed controller or with leads for connection to 0-10 VDC external controller.

Product - Fans shall be models ACWD, ACWD-EC, ACWDEC-HP, ACWDEC-XP, ACWD-HP or ACWD-XP as manufactured by LOREN COOK COMPANY of Springfield, Missouri.

Dimension Data

Size	A	B	C			D		E	F	G	H Dia.	Ship. Wt.
			ACWD	ACWD-HP	ACWD-XP	Wall Opening						
						Square	Round					
70	12-1/8	17-1/8	13	-	-	8	8	14-1/4	3/8	4	15-1/2	20
90	14-7/8	21-1/8	16	-	-	10	10	19-3/4	3/8	4	21-1/4	28
100	14-7/8	21-1/8	16	-	-	10	10	19-3/4	3/8	4	21-1/4	30
101	13	25-3/16	21-3/8	-	-	10	10	19-3/4	3/8	4	21-1/4	30
120	18-7/16	30-3/16	28-1/4	-	-	12	12	23-1/2	3/8	4	25	67
135	18-7/16	30-3/16	28-3/4	-	-	12	12	23-1/2	3/8	4	25	72
150	20-1/16	34-11/16	30-3/8	27-5/8	-	16	14	28-1/2	3/8	8	30	87
165	20-1/16	34-11/16	30-7/8	27-7/8	26-13/16	16	14	28-1/2	3/8	8	30	90
180	22-11/16	39-7/16	35-5/8	33-1/8	31-5/16	20	18	34-1/2	3/8	8	36	102
195	22-11/16	39-7/16	-	33-1/4	31-7/8	20	22	34-1/2	3/8	8	36	110

All dimensions in inches. Weights in pounds.

Centrifugal Exhaust Ventilator Wall Mounted Belt Drive

Description - Fan shall be a spun aluminum, wall mounted, belt driven, horizontal centrifugal exhaust ventilator.

Certifications - Fan shall be manufactured at an ISO 9001 certified facility. Fan shall be listed by Underwriters Laboratories (UL 705) and UL listed for Canada (cUL 705). Fan shall bear the AMCA Certified Ratings Seal for Sound and Air Performance.

Construction - Fan shall be of bolted and welded construction utilizing corrosion resistant fasteners. The spun aluminum structural components shall be constructed of minimum 16 gauge marine alloy aluminum, bolted to a rigid aluminum support structure. The spun aluminum wall flange shall have pre-punched keyslot holes and a mounting template with wall opening location for ease of installation. The windband shall have a rolled bead for added strength. A two piece top cap shall have stainless steel quick release latches to provide access into the motor compartment without the use of tools. An integral conduit chase shall be provided into the motor compartment to facilitate wiring connections. The motor, bearings and drives shall be mounted on a minimum 14 gauge steel power assembly. These components shall be enclosed in a weather-tight compartment, separated from the exhaust airstream. Lifting lugs shall be provided to help prevent damage from improper lifting. Unit shall bear an engraved aluminum nameplate. Nameplate shall indicate design CFM, static pressure and maximum fan RPM. Unit shall be shipped in ISTA Certified Transit Tested Packaging.

Wheel - Wheel shall be centrifugal backward inclined, constructed of 100 percent aluminum, including a precision machined cast aluminum hub. Wheel inlet shall overlap an aerodynamic aluminum inlet cone to provide maximum performance and efficiency. Wheel shall be balanced in accordance with AMCA Standard 204-05, Balance Quality and Vibration Levels for Fans.

Motor - Motor shall be NEMA design B with class B insulation rated for continuous duty and furnished at the specified voltage, phase and enclosure.

Bearings - Bearings shall be designed and individually tested specifically for use in air handling applications. Construction shall be heavy duty regreasable ball type in a cast iron pillowblock housing selected for a minimum L50 life in excess of 200,000 hours at maximum cataloged operating speed.

Belts and Drives - Belts shall be oil and heat resistant, static conducting. Drives shall be precision machined cast iron type, keyed and securely attached to the wheel and motor shafts. Drives shall be sized for 150 percent of the installed motor horsepower. The variable pitch motor drive must be factory set to the specified fan RPM.

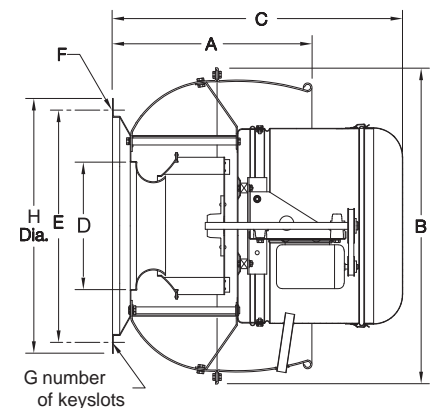
Product - Fans shall be models ACWB, ACWB-HP or ACWB-XP as manufactured by LOREN COOK COMPANY of Springfield, Missouri.



LOREN COOK COMPANY certifies that the ACWB, ACWB-HP and ACWB-XP shown herein are licensed to bear the AMCA Seal. The ratings shown are based on tests and procedures performed in accordance with AMCA Publication 211 and AMCA Publication 311 and comply with the requirements of the AMCA Certified Ratings Program.



Type ACWB, ACWB-HP and ACWB-XP are furnished standard with UL 705 and cUL 705 listings (Power Ventilator/ZACT) when furnished with factory supplied motor.



Dimension Data

Size	A	B	C			D Wall Opening		E	F	G	H Dia.	Ship. Wt.
			ACWB	ACWB-HP	ACWB-XP	Square	Round					
100	13	25-3/16	21-3/8	-	-	10	10	19-3/4	3/8	4	21-1/4	30
120	18-7/16	30-3/16	28-1/4	-	-	12	12	23-1/2	3/8	4	25	60
135	18-7/16	30-3/16	28-3/4	-	-	12	12	23-1/2	3/8	4	25	65
150	20-1/16	34-11/16	30-3/8	27-5/8	-	16	14	28-1/2	3/8	4	30	70
165	20-1/16	34-11/16	30-7/8	27-7/8	26-13/16	16	14	28-1/2	3/8	4	30	75
180	22-11/16	39-7/16	35-5/8	33-1/8	31-5/16	20	18	34-1/2	3/8	8	36	100
195	22-11/16	39-7/16	36-1/8	33-1/4	31-7/8	20	22	34-1/2	3/8	8	36	110
210	23-11/16	45-1/4	37-3/4	34-3/4	32-1/8	24	22	39-1/2	3/8	8	41	210
225	23-11/16	45-1/4	38-1/4	35-5/8	33-7/16	24	22	39-1/2	3/8	8	41	215
245	25-5/16	49-1/4	39-7/8	36-1/8	32-7/8	24	22	43-1/2	3/8	8	45	250

All dimensions in inches. Weights in pounds, less motor.

ACSC Specifications and Dimension Data

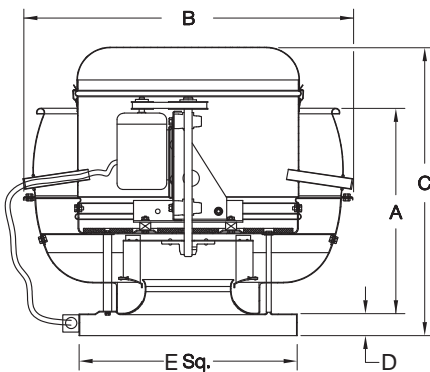
Upblast Centrifugal Smoke Control Ventilator Roof Mounted Belt Drive



LOREN COOK COMPANY certifies that the ACSC, ACSC-HP and ACSC-XP shown herein are licensed to bear the AMCA Seal. The ratings shown are based on tests and procedures performed in accordance with AMCA Publication 211 and AMCA Publication 311 and comply with the requirements of the AMCA Certified Ratings Program.



Type ACSC, ACSC-HP and ACSC-XP are furnished standard with UL listing for "Power Ventilator for Smoke Control Systems."



Description: Fan shall be a spun aluminum style, roof mounted, belt driven, high temperature upblast centrifugal exhaust ventilator.

Certifications: Fan shall be manufactured at an ISO 9001 certified facility. Fan shall be listed by Underwriters Laboratories as a "Power Ventilator for Smoke Control Systems" and UL listed as "Power Ventilator for Smoke Control Systems Certified for Canada". Fan shall bear the AMCA Certified Ratings Seal for Sound and Air Performance.

Construction: The fan shall be of bolted and welded construction utilizing corrosion resistant fasteners. The spun aluminum structural components shall be constructed of minimum 16 gauge marine alloy aluminum, bolted to a rigid aluminum support structure. The steel base shall have a one piece inlet spinning and continuously welded curb cap corners for maximum leak protection. The windband shall have a rolled bead for added strength. A two piece top cap shall have stainless steel quick release latches to provide access into the motor compartment without the use of tools. An external wiring compartment with integral conduit chase shall be provided into the motor compartment to facilitate wiring connections. The motor, bearings and drives shall be mounted on a minimum 14 gauge steel power assembly. These components shall be enclosed in a weather-tight compartment, separated from the exhaust airstream. A one inch thick, three pound density foil backed heat shield shall be utilized to protect the motor and drive components from excessive heat. Lifting lugs shall be provided to help prevent damage from improper lifting. Unit shall be tested to operate at 500° F for 4 hours per IRI requirements and operate at 1000° F in excess of 15 minutes per SBCCI requirements. Unit shall bear an engraved aluminum nameplate. Nameplate shall indicate design CFM, static pressure and maximum fan RPM. Unit shall be shipped in ISTA Certified Transit Tested Packaging.

Wheel: Wheel shall be centrifugal backward inclined, constructed of steel, including a precision machined steel hub. Wheel inlet shall overlap an aerodynamic steel inlet cone to provide maximum performance and efficiency. Wheel shall be balanced in accordance with AMCA Standard 204-05, Balance Quality and Vibration Levels for Fans.

Motor: Motor shall be NEMA design B with class B insulation rated for continuous duty and furnished at the specified voltage, phase and enclosure.

Bearings: Bearings shall be designed and individually tested specifically for use in air handling applications. Construction shall be heavy duty regreasable ball type in a cast iron pillowblock housing selected for a minimum L50 life in excess of 200,000 hours at maximum cataloged operating speed.

Belts and Drives: Belts shall be oil and heat resistant, static conducting. Drives shall be precision machined cast iron type, keyed and securely attached to the wheel and motor shafts. Drives shall be sized for 150 percent of the installed motor horsepower. The variable pitch motor drive must be factory set to the specified fan RPM.

Product: Fans shall be models ACSC, ACSC-HP or ACSC-XP as manufactured by LOREN COOK COMPANY of Springfield, Missouri.

Dimension Data

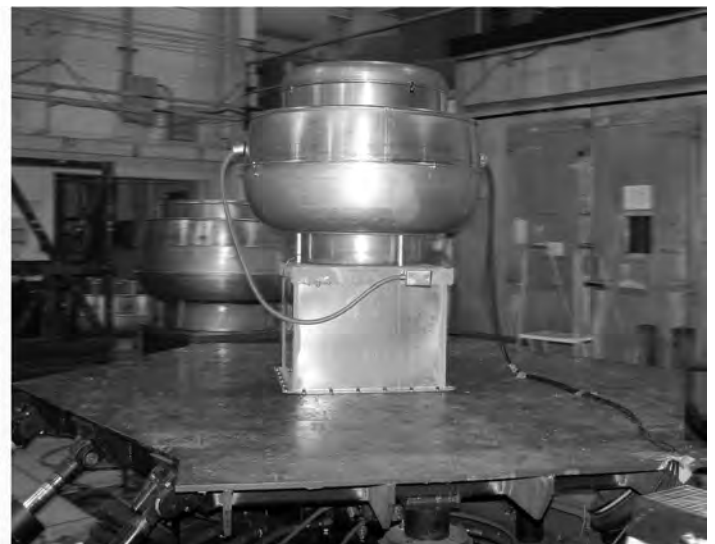
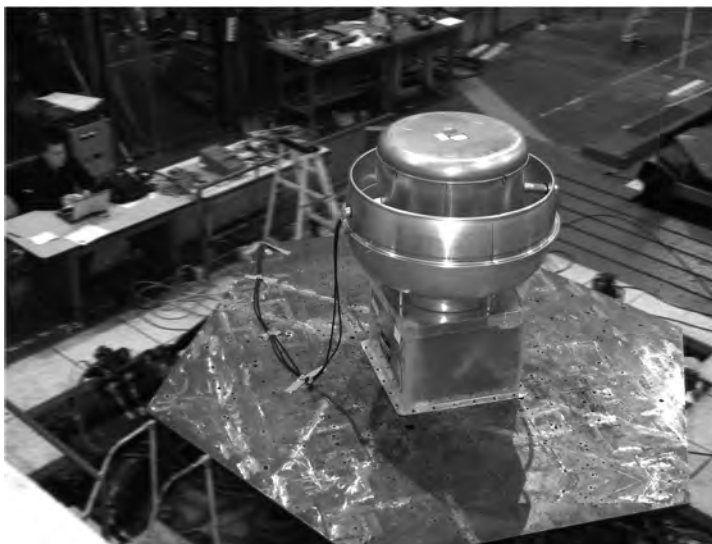
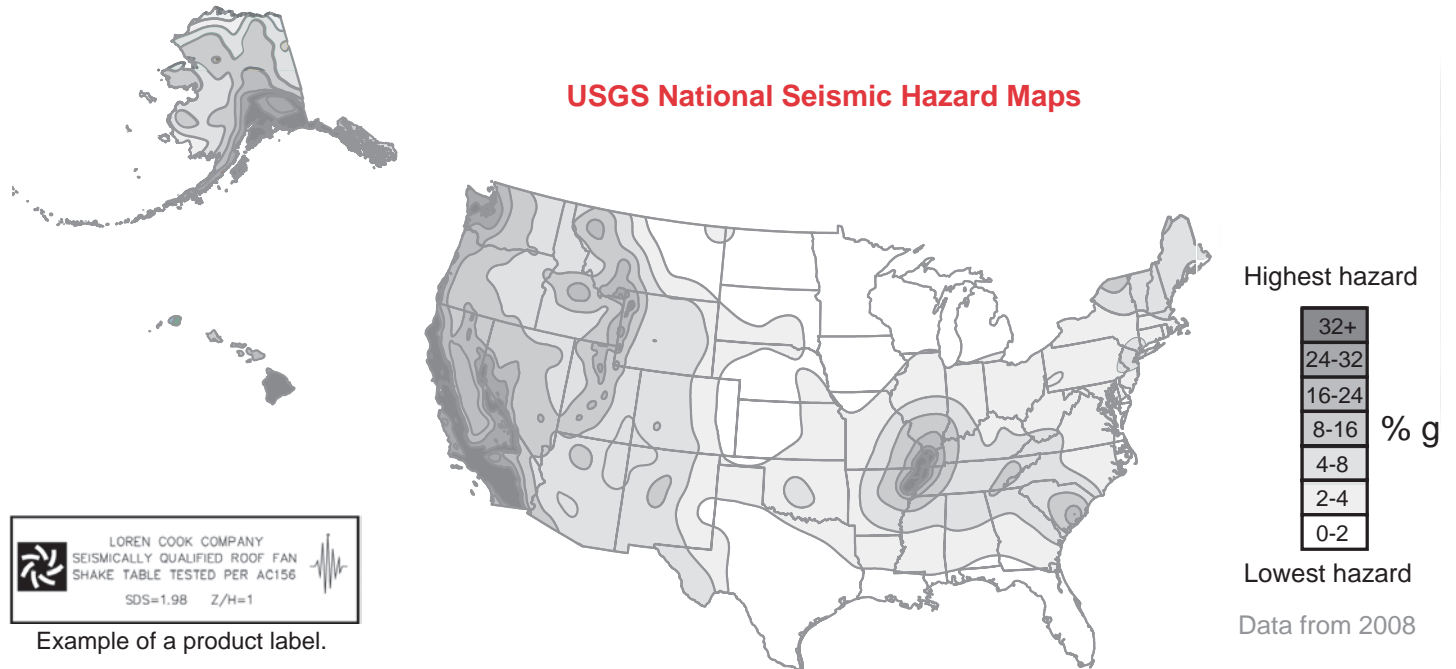
Size	A	B	C			D	E Sq.	Roof Opening Square*	Ship. Wt.
			ACSC	ACSC-HP	ACSC-XP				
100	12-1/2	25-1/4	20-3/16	-	-	2	18	13-1/2	36
120	19-1/16	30-3/16	28-1/4	-	-	2	20	15-1/2	69
135	19-1/16	30-3/16	28-5/8	-	-	2	20	15-1/2	75
150	20-15/16	34-11/16	30-1/4	27-1/2	-	2	24	19-1/2	88
165	20-15/16	34-11/16	30-3/4	27-3/4	26-11/16	2	24	19-1/2	96
180	24-13/16	39-7/16	35-7/8	33-3/8	31-9/16	3	30	25-1/2	114
195	24-13/16	39-7/16	36-3/8	33-1/2	32-1/8	3	30	25-1/2	126
210	25-15/16	45-1/4	38-3/8	35-3/8	32-3/4	3	30	25-1/2	239
225	25-15/16	45-1/4	38-1/8	35-1/2	33-5/16	3	30	25-1/2	267
245	28-1/2	49-1/4	41-1/16	37-5/16	34-1/16	3	30	25-1/2	294
270	28-1/2	49-1/4	41-1/16	37-5/16	35	3	36	31-1/2	322
300	33-7/8	54-1/4	49-15/16	45-15/16	41-7/16	3	36	31-1/2	397
330	34-1/8	54-1/4	50-7/16	46-11/16	43-1/8	3	42	37-1/2	441
365	36-3/8	64-1/4	52-7/16	48-7/16	44-1/4	3	42	37-1/2	499
402	37-7/8	64-1/4	54-11/16	-	-	3	48	43-1/2	612
445	31-5/8	76-1/4	57-3/16	-	-	3	54	49-1/2	709
490	33-3/8	76-1/4	58-1/16	-	-	3	54	49-1/2	816

All dimensions in inches. *Roof opening size for curbs supplied by LOREN COOK COMPANY only. Weights in pounds.

The ACRU & ACSC models have been shaketable tested to a spectral response acceleration of 1.93G's. ($S_{DS} = 1.93$). The tests were conducted in accordance with the criteria specified in AC156.

The unit and roof curb were tested as an assembly. The test were accepted by California OSHPD as part of the pre-approval of these products.

California OSHPD – Office of Statewide Health Planning and Development. OSHPD is the only state or federal organization that pre-approves mechanical equipment as seismically sound. OSHPD requires that the shaketable testing be witnessed by a California professional engineer and the test report must be reviewed by a California structural engineer.



Seismic Simulation Test on Multi-Axis Shake Table

Hurricane & High Wind Construction

Miami-Dade County Product Control Approved Florida Product Approval

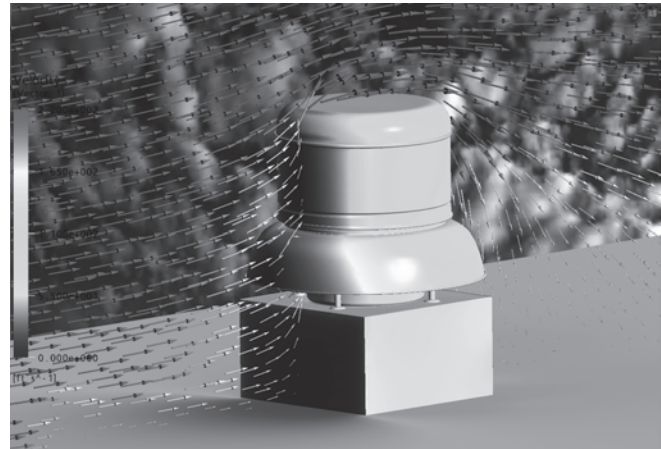
LOREN COOK COMPANY'S "Hurricane Rated Construction" option was developed for the demands of high wind and coastal areas. Through rigorous research and testing, this construction option was developed to meet the demands of Miami-Dade County's Testing Application Standards (TAS) 201, 202 and 203. Each of these fan has passed all three of the TAS testing protocols. In addition, all of these products have received approval from the Florida Building Commission.

The hurricane rated construction option was engineered so that the fans have the same physical size as the standard construction units. In addition, the fan's air and sound performance, as shown in the product catalogs and Compute A Fan® selection software, remains identical to the standard construction products. Approved attachment details are included in the Notice of Acceptance documents on the Miami-Dade County Florida website (miamidade.gov) and the Florida Building Commission website (floridabuilding.org). The approved attachment details do not require the use of external tie downs to the roof. Installation of the fans to an approved roof curb must be in accordance with these details to meet the Miami-Dade County and Florida Building Commission approvals.

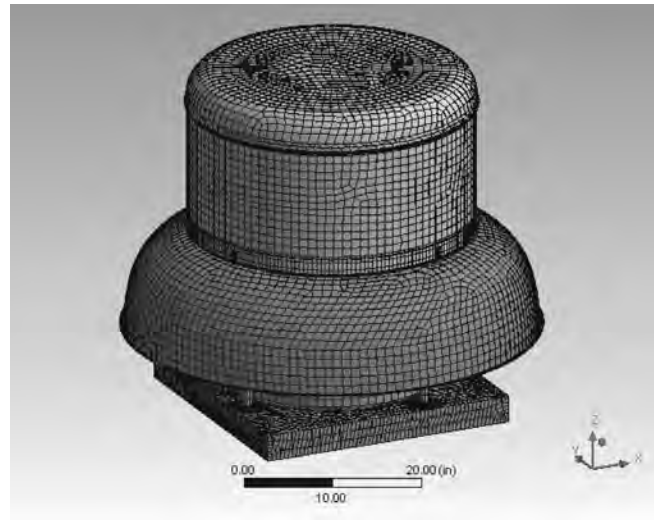
In the early stages of development, products were modeled with Computational Fluid Dynamics (CFD) to determine the stress points as air flowed around the fans at speeds of 150 MPH. Next, Finite Element Analysis (FEA) was utilized to model and evaluate stress plots. Finally, the proper material gauges and hardware were determined so the fans would survive these high wind loads.

In the next step of testing, products were placed in an aerodynamic wind tunnel. They were tested to a 150 MPH sustained wind to determine the product's resistance to wind load.

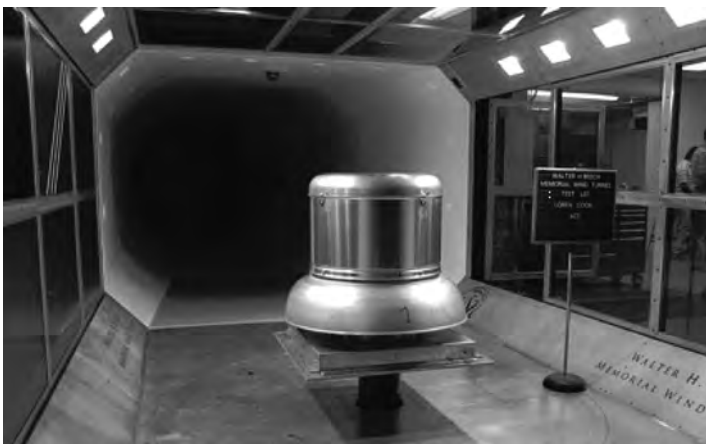
(Continued next page.)



Computational Fluid Dynamics



Finite Element Analysis



Full Scale Wind Tunnel Testing



Finally, the fans *passed not one, not two, but all three approval tests.*

TAS-201: Large Missile Impact Test - determines sufficient resistance to wind-borne debris as determined by the Florida Building Code, Section 1626 for maintaining the envelope of the building. Test employs an 8* foot Southern Pine 2" x 4" beam, weighing 9* pounds; shot from an air cannon at (50 ft/ sec) with resulting damage not to exceed specified tolerances allowed by *Section 1626.2.8.*

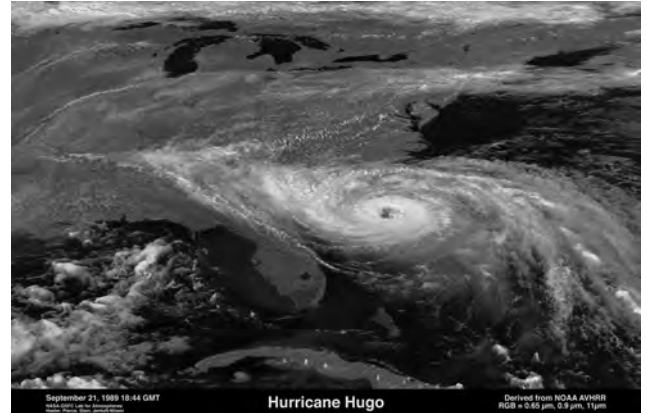
TAS-202: Uniform Static Air Pressure Test - determines sufficient resistance to wind forces as determined by Florida Building Code, Section 1620 and Section 1625 for maintaining the overall envelope of the building. Test employs a sealed pressure envelope both inside and outside of the test product (allowing for both positive and negative static pressure tests) to determine if the product provides sufficient resistance to wind forces as required by Section 1620.

TAS-203: Cyclic Wind Pressure Test - determines sufficient resistance to fatigue failure due to repeated exposure to wind pressure as required by Florida Building Code *Section 1620* . Test employs a sealed pressure envelope to repeatedly apply (671 cycles) positive and negative static pressure forces, lasting 1 to 3 seconds each, on the product surface following completion of the missile impact test.

** Indicates an approximate value based on a range allowed by specified test standards.*

Note: High wind models do not have easy access tops.

All tests were performed in the progressive manner of TAS-202, TAS-201, then TAS-203 on the same piece of equipment in an accredited independent laboratory.



Missile Impact Testing



Pressure Testing

Products	Sizes	TAS-201	TAS-202	TAS-203	NOA Number / Expiration Date*	Florida Product Approval
ACEB	60 - 300	PASSED	PASSED	PASSED	08-0424.03 / 10-2-2013	FL11693
ACED	70 - 180	PASSED	PASSED	PASSED		
ACRUB ACRUB-HP ACRUB-XP	100 - 300	PASSED	PASSED	PASSED	08-0902.01 / 11-13-2013	FL11695
ACSC ACSC-HP ACSC-XP	100 - 300	PASSED	PASSED	PASSED		
ACRUD ACRUD-HP ACRUD-XP	70 - 195	PASSED	PASSED	PASSED		
VCRD VCRD-HP VCRD-XP	100 - 195	PASSED	PASSED	PASSED		
VCR VCR-HP VCR-XP	100 - 300	PASSED	PASSED	PASSED		
SRSH-B	60 - 270	PASSED	PASSED	PASSED	08-0314.05 / 9-4-2013	FL11691
SRSH-D	60 - 180	PASSED	PASSED	PASSED		
CPS** CPS-A** CPV**	60 - 245	PASSED	PASSED	PASSED	08-0424.02 / 10-2-2013	FL11692
TLCH-B	100 - 365	PASSED	PASSED	PASSED	09-0423.06 / 4-22-2014	FL3287
TLCH-D	70 - 180	PASSED	PASSED	PASSED		

*NOA Number / Expiration Date issued by Miami-Dade County, Florida Building Code Compliance Office, Product Control Division **Tested with Inlet Box and Curb Cap.



ACCESSORIES

Automatic Belt Tensioner



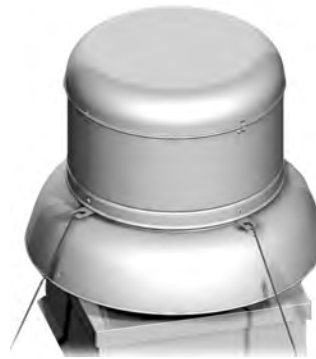
The automatic belt tensioner maintains constant tension on the drive belt which offers two distinct benefits. It reduces startup and maintenance costs by continuously tensioning the belt throughout its life and also increases belt life by reducing slippage. Engineering studies indicate properly tensioned belts can operate at 15° to 20° F cooler internal temperature than poorly tensioned belts. A drive belt industry rule of thumb is that every 18° F increase in internal temperature will reduce belt life by 50%. The automatic belt tensioner will easily double belt life compared to installations where belt tension is not properly maintained. COOK's spun aluminum fans have stainless steel quick release latches on the topcap, providing tool free access to the automatic belt tensioner and motor compartment. The drive belt can be replaced in moments (by almost anyone) without the special skills and tools normally needed to achieve proper belt tension. Too much belt tension can reduce the life of both the fan and motor bearings. The COOK automatic belt tensioner will assure proper belt tension throughout the life of the fan, maximizing bearing life and fan reliability. Available on sizes 60 - 540.

Extended Lube Lines



Extended lube lines provide a quick and convenient way to lubricate the bearings while the fan is operating.

Tie Downs

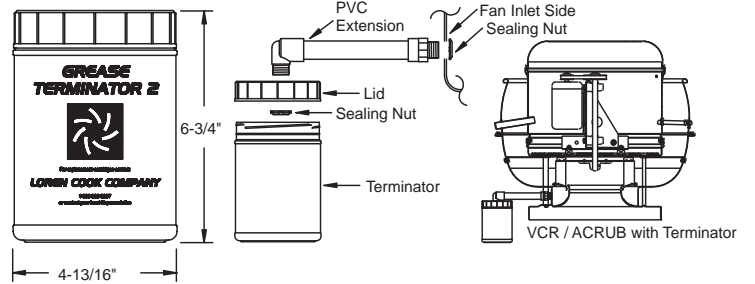


Tie downs offer locations for field attachment of the fan to the roof deck or supporting structure. The tie down points help protect against high windloads.

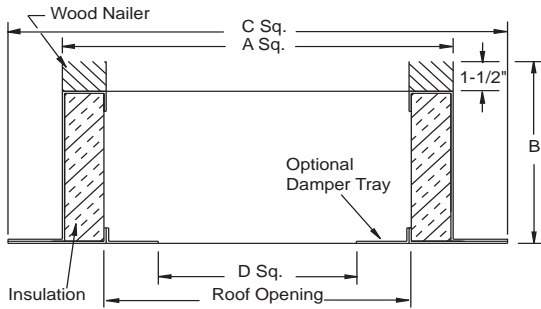
Grease Terminator - ACRU / ACW



The Grease Terminator 2 is a grease-capture and containment system.



Roof Curb



Standard Construction Features

- 18 gauge galvanized steel (RCG) or .080 aluminum (RCA).
- 1-1/2", 3 lbs. density thermal and acoustical insulation.
- Continuously welded corners.
- Wood nailer.

Options

- Damper tray.
- No wood nailer (deduct 1-1/2" for actual height).
- 13-1/2" tall construction.

Roof Curb Dimension Data

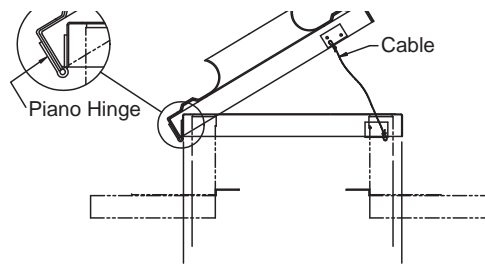
AC Unit	Roof Curb		Sound Attenuator Curb		A Sq.	Roof Curb B	Sound Attenuator Curb B *	C Sq.	D Sq.	Roof Opening
	Catalog Number		Catalog Number							
	Galvanized	Aluminum	Galvanized	Aluminum						
60-101	RCG-16	RCA-16	RCG-AT-16	RCA-AT-16	16-1/2	9-1/2	16	20-1/2	9-3/4	13-1/2
120-135	RCG-18	RCA-18	RCG-AT-18	RCA-AT-18	18-1/2	9-1/2	16	22-1/2	11-3/4	15-1/2
150-165	RCG-22	RCA-22	RCG-AT-22	RCA-AT-22	22-1/2	9-1/2	16	26-1/2	15-3/4	19-1/2
180-245	RCG-28	RCA-28	RCG-AT-28	RCA-AT-28	28-1/2	9-1/2	16	32-1/2	21-3/4	25-1/2
270-300	RCG-34	RCA-34	RCG-AT-34	RCA-AT-34	34-1/2	9-1/2	16	38-1/2	27-3/4	31-1/2
330-365	RCG-40	RCA-40	RCG-AT-40	RCA-AT-40	40-1/2	9-1/2	16	44-1/2	33-3/4	37-1/2
402	RCG-46	RCA-46	RCG-AT-46	RCA-AT-46	46-1/2	9-1/2	16	50-1/2	39-3/4	43-1/2
445-490	RCG-52	RCA-52	RCG-AT-52	RCA-AT-52	52-1/2	9-1/2	16	56-1/2	45-3/4	49-1/2
540	RCG-64	RCA-64	RCG-AT-64	RCA-AT-64	64-1/2	9-1/2	16	68-1/2	56-3/4	61-1/2

All dimensions in inches. When motor operated damper is used, a wood nailer is required. *Add 8" when installed with a damper

Sound Attenuator Curb: Average Sound Level Reduction

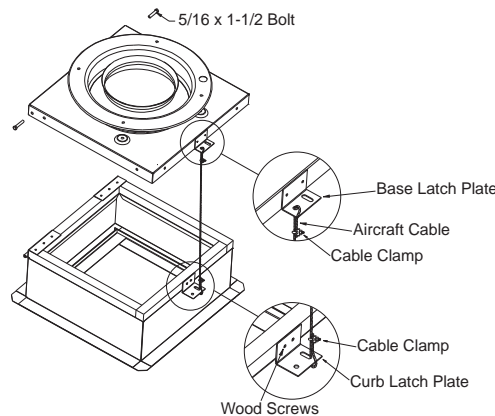
OB1	OB2	OB3	OB4	OB5	OB6	OB7	OB8
-5	-11	-9	-14	-18	-28	-35	-25

Hinged Base



The hinged base is a factory welded sub-base, hinge and locking hasp that provides a secure and stable means of access to the inlet and interior ductwork for cleaning and inspection. Galvanized aircraft cable is installed on the hinged base to support the fan in an open position. Available on sizes 100 through 300, consult factory on larger sizes.

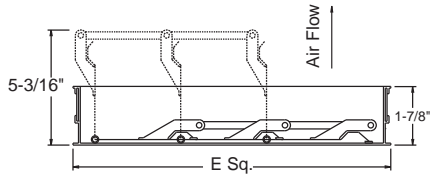
Hinged Base Kit



The hinged base kit is a field installed option which provides a lockable, hinged connection between the fan and curb. This allows easy access to the wheel and inlet of the fan as well as the interior ductwork. The kit includes two hinge plates, two latch plates, hinge bolts, aircraft cable and clamps. Available on sizes 100 through 300, consult factory on larger sizes.

ACCESSORIES

Gravity Backdraft Damper



ACW

Unit Size	Catalog Number	E Sq.
70	BD-8	7-3/4
90-101	BD-10	9-3/4
120-135	BD-12	11-3/4
150-165	BD-16	15-3/4
180-195	BD-20	19-3/4
210-245	BD-24	23-3/4

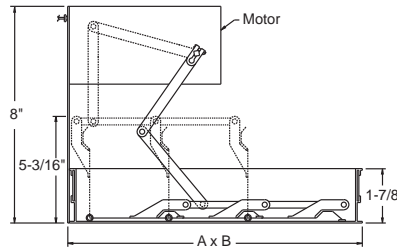
ACE/ACRU

Unit Size	Catalog Number	E Sq.
60-101	BD-12	11-3/4
120-135	BD-14	13-3/4
150-165	BD-18	17-3/4
180-245	BD-24	23-3/4
270-300	BD-30	29-3/4
330-365	BD-36	35-3/4
402	BD-42	41-3/4
445-490	BD-48	47-3/4
540	BD-60	59-3/4

All dimensions in inches.

Gravity dampers feature an extruded aluminum frame, aluminum blades and aluminum hinge pins with nylon bushings. Not available with the ACSC.

Motorized Backdraft Damper - ACE/ACRU



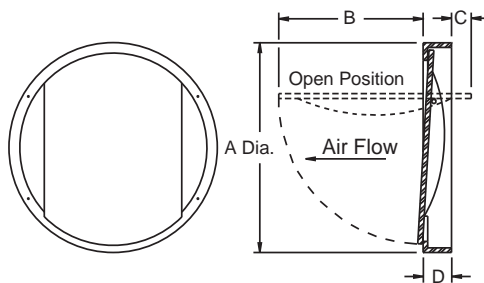
ACE/ACRU

Unit Size	Catalog Number	E Sq.
60-101	BDM-12	11-3/4
120-135	BDM-14	13-3/4
150-165	BDM-18	17-3/4
180-245	BDM-24	23-3/4
270-300	BDM-30	29-3/4
330-365	BDM-36	35-3/4
402	BDM-42	41-3/4
445-490	BDM-48	53-3/4
540	BDM-60	59-3/4

All dimensions in inches.

Motorized dampers feature an extruded aluminum frame, aluminum blades and aluminum hinge pins with nylon bushings. Motors are shipped loose for field installation. Available voltages include 110V, 220V, and 440V. Not available with the ACSC.

Damper - ACW

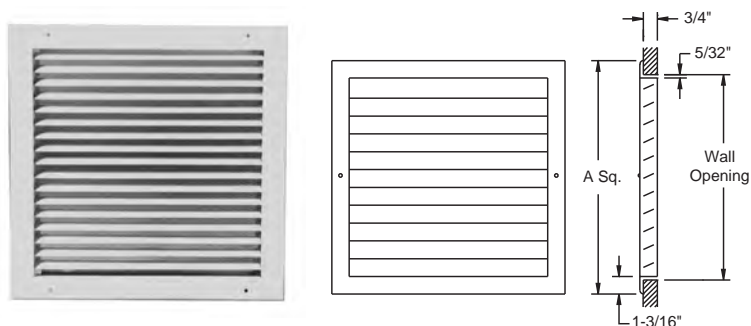


Unit Size	Catalog Number	A Dia.	B	C	D	No. of Blades
70	D-8	7-15/16	4-1/2	2	3/4	1
90-101	D-10	9-15/16	5-3/4	2-3/4	3/4	1
120-135	D-12	11-15/16	7	3	3/4	1
150-165	D-14	13-15/16	8-1/2	4	3/4	1
180	D-18	17-15/16	4	3	3/4	2
195-245	D-22	21-15/16	5-1/2	2-1/2	1	3

All dimensions in inches.

Gravity dampers feature an aluminum frame, aluminum blades and aluminum hinge pins with nylon bushings.

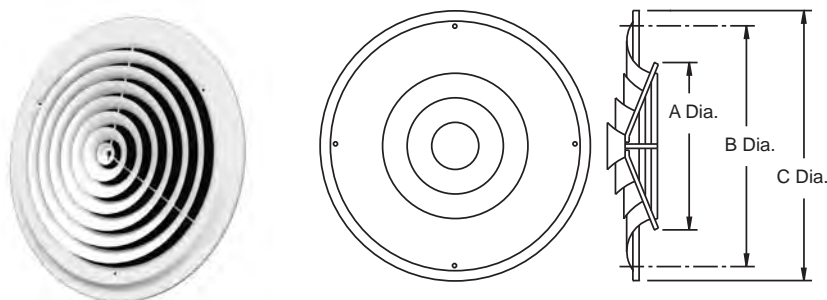
Square Inlet Grille - ACW



Unit Size	Catalog Number	A Sq.	Wall Opening	Damper	
				Model	Size
70	SG-8	10	8	BD-8	7-3/4
90-101	SG-10	12	10	BD-10	9-3/4
120-135	SG-12	14	12	BD-12	11-3/4
150-165	SG-16	18	16	BD-16	15-3/4
180-195	SG-20	22	20	BD-20	19-3/4
210-245	SG-24	26	24	BD-24	23-3/4

All dimensions in inches.

Round Inlet Grille - ACW



Unit Size	Catalog Number	A Dia.	B Dia. Mtg. Hole	C Dia.
70	G-8	7-3/4	8-1/2	12
90-101	G-10	9-13/16	10-9/16	14
120-135	G-12	11-13/16	12-9/16	16
150-165	G-14	13-13/16	14-9/16	18
180	G-18	17-13/16	21-3/4	23

All dimensions in inches.

COOK Type A Construction

COOK Type A construction option gives an AC unit superior corrosion resistance. The fan shaft and all steel fasteners exposed to the exterior environment are furnished with 304 stainless steel components. All other steel components exposed to the exterior environment are furnished with aluminum components. This option should not be interpreted to be an indication of spark resistance. Not available on ACSC.

Optional Coatings

Lorenized® is an electrostatically applied, baked polyester powder coating. Each component shall be subject to a five stage environmentally friendly wash system, followed by a minimum 2 mil thick baked powder finish. Coating must exceed 1,000 hour salt spray under ASTM B117 test method.

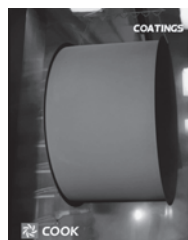
COOK Epoxy Powder is an electrostatically applied, baked epoxy powder coating. Final coating thickness is 2.5 - 3.5 mils. For outdoor applications an optional UV resistant topcoat is available to prevent cosmetic chalking of the coating.

COOK Phenolic Epoxy Powder is an electrostatically applied, baked phenolic epoxy powder coating. Final coating thickness is 2 - 4 mils. For outdoor applications an optional UV resistant topcoat is required to prevent deterioration of the coating.

COOK Easy Clean Powder is an electrostatically applied, baked modified epoxy silicone powder producing a high temperature "non-stick" coating. Final coating thickness is 1.3 - 1.7 mils.

Air Dry Phenolic (Heresite VR-504) is a conventional spray applied phenolic resin coating. Final coating thickness is 4 - 6 mils. For outdoor applications an optional UV resistant topcoat (Heresite UC-5500) is required to prevent deterioration of the coating.

Refer to the corrosion resistance guide in the Compute-A-Fan software for a listing of the coatings above and their resistance to a variety of chemicals. Additional special coatings are available.



[Read more in the Coating catalog](#)

Typical Disconnect Switches



NEMA 1



**NEMA 1
(Lockable)**



**NEMA 1
(Heavy Duty)**



NEMA 3R



NEMA 4



**NEMA 7
NEMA 9**

NEMA 1 - Indoor general purpose.

NEMA 1 (Lockable) - Indoor general purpose with locking capability.

NEMA 1 (Heavy Duty, Lockable) - Indoor heavy duty visible blade.

NEMA 3R - Exterior mount, rain-tight.

NEMA 4 - Water-tight and dust-tight.

NEMA 7 and NEMA 9 - Lockable, indoor, explosion proof.

Fan Speed Control



5 AMP FSC

10 AMP FSC

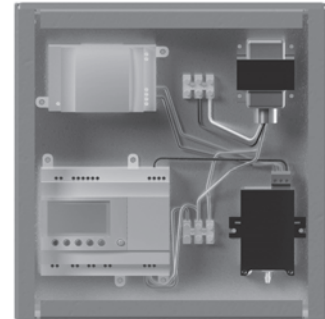
COOK's FSC is a variable speed controller which can offer excellent energy conservation and lower sound levels when 100 percent of a direct drive fan operating capacity is not required. The FSC employs solid state circuitry for long life and dependability. The FSC is available only on 115V and 230V shaded pole or permanent split capacitor direct drive motors and is not available on 1140 RPM and 1725 RPM motors. The FSC is normally shipped loose for field installation. Optional pre-wiring is available.

Fan Speed Control for EC Motors



External Speed Control for the COOK EC Motor allows the fan speed to be adjusted remotely via an easy to read dial. The controller allows for adjustment from 20-100% of the fan speed. The controller works with the external signal version of the COOK EC Motor and requires 24 VAC power for operation. It is shipped loose for field installation.

Pressure Control for EC Motors



Constant pressure controller for the COOK EC Motor is for applications where the fan is intended to maintain a near constant pressure in a system such as dryer vents. The pressure controller reads the pressure in a duct system via the provided pressure transducer and automatically adjusts the fan rpm to maintain a preset value. The controller works with the external signal version of the COOK EC Motor and is shipped loose for field installation.

Motors

Direct Drive

All direct drive motors are standard single phase 115-volt.

- Sizes 70 through 100 are either shaded pole, permanent split capacitor type motors, or electronically commutated.
- Sizes 120 through 180 are either permanent split capacitor (1075, 1300, or 1550 rpm motors), split phase (1140 or 1725 rpm motors), or commutated.
- FSC can only be used on either shaded pole or permanent split capacitor type motors.

Optional motors:

- Two speed, single-phase open motors supplied as 1725 RPM motors are 1725/1140, or 1140 RPM motors are 1140/860.
- Explosion proof motors are available for some units, contact factory for details.
- These optional motors cannot use an FSC.

Vari-Flow® EC Motors

Electronically Commutated (EC) Motors offer significantly improved energy efficiency and controllability over traditional fractional HP motors. COOK EC motors are offered in 1/4, 1/2 and 3/4 HP sizes for 120 volt, single phase applications. These totally enclosed, non-ventilated (TENV) motors have an adjustable speed range from 500 to 1725 RPM.

There are 2 versions of the EC motor:

- The “Motor Mounted Speed Control” version includes an integral potentiometer mounted on the exterior of the motor (as shown above) for precise adjustment of the motor speed. A screwdriver is used during field balancing to set the desired speed. This is a “set it and forget it” fan speed control.
- The “External Signal Speed Control” version requires a 0-10 volt DC signal to adjust the speed of the motor. This external signal speed control option is used when you need to adjust the fan speed during typical operation. The designer may choose to change fan speed due to changes in duct pressure, building load, temperature, time, etc. This motor can be paired with our optional fan speed control or pressure controller or connected to the building automation system. The motor will operate from 2-10 VDC and will turn off when the control signal is below 1.9 VDC.

Belt Drive

Single-phase motors:

- Open drip motors from 1/6 to 1-1/2 HP.
- Two-speed, motors in 1725/1140RPM, from 1/6 to 1 HP.
- TEFC and Class 1, Group D, explosion proof motors from 1/4 to 1 HP.

Three-phase motors:

- Three-phase ODP motors from 1/4 to 10 HP.
- Two-speed, two winding motors in 1725/1140 RPM, from 1/3 to 5 HP.
- TEFC and Class 1, Group D, explosion proof motors from 1/4 to 10 HP.
- Variable Frequency Drive (VFD) compatible motors are available, contact factory for details.

All single-phase and three-phase, single speed, open drip motors listed in performance tables are shipped factory installed.

70 - 135 ACED EC, 70 ACED Data

70 - 135 ACED EC

Catalog Number	HP	RPM	Tip Speed	Max. Watts	CFM at Static Pressure																					
					0.00" SP		0.125" SP		0.25" SP		0.375" SP		0.5" SP		0.63" SP		0.75" SP		0.88" SP		1" SP		1.25" SP		1.5" SP	
					Sones	Watts	Sones	Watts	Sones	Watts	Sones	Watts	Sones	Watts	Sones	Watts	Sones	Watts	Sones	Watts	Sones	Watts	Sones	Watts	Sones	Watts
70C17DEC	1/4	429	786	5	77																					
		861	1577	12	155																					
		1293	2369	25	233		147		63																	
		1725	3161	49	311		244		184		125															
90C17DEC	1/4	516	1215	8	234																					
		919	2165	24	417		275																			
		1322	3114	58	600		506		403		285															
		1725	4064	120	783		710		639		561		474		383		271									
100C17DEC	1/4	471	1233	11	247																					
		889	2327	32	466		345		120																	
		1307	3421	76	685		607		522		414															
		1725	4516	160	904		845		785		721		652		569		465		329							
101C17DEC	1/4	471	1233	6	268																					
		889	2327	23	506		411																			
		1307	3421	61	744		690		617		536		377													
		1725	4516	130	982		942		898		843		783		723		644		487							
120C17DEC	1/2	498	1564	13	506																					
		907	2849	59	921		813		689																	
		1316	4134	162	1337		1265		1188		1104		1019		916		768									
		1725	5419	353	1752		1698		1642		1584		1521		1457		1393		1327		1253		1047			
135C17DEC	3/4	561	1982	32	852		632																			
		949	3354	124	1441		1326		1198		1046															
		1337	4725	326	2031		1950		1867		1779		1684		1582		1467		1321							
		1725	6096	685	2620		2558		2495		2431		2365		2295		2223		2147		2068		1892		1652	

Performance certified is for Installation Type A: free inlet, free outlet. Performance ratings do not include the effects of appurtenances (accessories). The sound ratings shown are loudness values in fan sones at 5 ft. (1.5m) in a hemispherical free field calculated per AMCA Standard 301. Values shown are for Installation Type A: free inlet hemispherical sone levels.

70 ACED

Catalog Number	Mtr. HP	Fan RPM	Tip Speed	Max. Watts	CFM at Static Pressure																					
					0.00" SP		0.125" SP		0.250" SP		0.375" SP		0.500" SP		0.625" SP		0.750" SP		0.875" SP		1.000" SP		1.250" SP		1.500" SP	
					Sone	BHP	Sone	BHP	Sone	BHP	Sone	BHP	Sone	BHP	Sone	BHP	Sone	BHP	Sone	BHP	Sone	BHP	Sone	BHP	Sone	BHP
70C10DL	1/25	1160	2123	72	105		73																			
70C10DM		1150	2105	73	158		94																			
70C10DH		1050	1922	73	203		121																			
70C15DL	1/20	1700	3112	86	171		131		113		91															
70C15DM		1670	3057	92	242		187		157		102															
70C15DH		1550	2837	96	305		249		194		135															

Performance certified is for Installation Type A: free inlet, free outlet. Performance ratings do not include the effects of appurtenances (accessories). Speed (RPM) shown is nominal. Performance is based on actual speed of test. The sound ratings shown are loudness values in fan sones at 5 ft. (1.5m) in a hemispherical free field calculated per AMCA Standard 301. Values shown are for Installation Type A: free inlet hemispherical sone levels.

Catalog Number	Mtr. HP	Fan RPM	Tip Speed	Max. Watts	CFM at Static Pressure																					
					0.00" SP		0.125" SP		0.250" SP		0.375" SP		0.500" SP		0.625" SP		0.750" SP		0.875" SP		1.000" SP		1.250" SP		1.500" SP	
					Sone	BHP	Sone	BHP	Sone	BHP	Sone	BHP	Sone	BHP	Sone	BHP	Sone	BHP	Sone	BHP	Sone	BHP	Sone	BHP	Sone	BHP
90C10DL	1/25	1125	2655	83	322		262		191																	
					5.0		4.5		4.4																	
90C10DM	1/25	1100	2596	88	398		328		241																	
					5.7		5.1		5.0																	
90C10DH	1/25	1050	2478	91	575		416		231																	
					5.0		5.1		4.7																	
90C15DL	1/8	1715	4047	95	489		445		410		372		331		283		210									
					8.7		8.4		8.1		7.8		7.3		6.9		6.4									
90C15DM	1/8	1670	3841	125	658		600		564		469		412		343		237									
					9.5		9.0		8.5		8.5		7.9		7.4		7.0									
90C15DH	1/8	1550	3658	148	865		759		650		509		411		289		131									
					9.1		9.1		8.9		8.4		8.0		7.6		7.2									
100C10DL	1/25	1100	2882	91	388		329		256		166															
					6.7		5.8		5.5		5.7															
100C10DM	1/25	1075	2817	96	478		389		295		186															
					6.9		6.7		6.6		5.8															
100C10DH	1/25	1050	2751	99	663		511		353		191															
					5.9		6.0		5.5		5.4															
100C15DL	1/8	1665	4362	125	583		545		505		467		427		377		321		254		164					
					11.3		11.1		10.9		10.6		10.3		10.0		9.8		9.5		9.2					
100C15DM	1/8	1625	4258	146	712		658		605		554		498		432		370		292		168					
					11.2		11.0		10.8		10.6		10.5		10.1		9.8		9.4		9.1					
100C15DH	1/8	1550	4061	194	967		856		766		667		552		444		384		265							
					11.0		11.0		10.8		10.7		10.5		10.4		10.2		10.1							
101C10D	1/25	1050	2749	-	594		514		418																	
					4.6	0.03	4.5	0.03	4.3	0.03																
101C11D	1/4	1140	2985	-	645		570		494																	
					5.6	0.04	5.5	0.04	5.3	0.04																
101C15D	1/8	1550	4058	-	877		819		768		716		648		529											
					9.4	0.10	9.4	0.10	9.2	0.10	9.0	0.11	8.9	0.11	8.8	0.11										
101C17D	1/6	1725	4516	-	976		923		875		831		782		718		624									
					10.9	0.13	10.9	0.14	10.8	0.14	10.6	0.15	10.5	0.15	10.4	0.15	10.2	0.16								
120C10D	1/6	1075	3376	-	1152		1058		958		855															
					6.3	.08	6.2	.08	6.0	.09	5.7	.09														
120C11D	1/6	1140	3581	-	1221		1133		1040		946		807		807											
					7.4	.09	7.4	.09	7.3	.10	6.9	.11	6.5	.11	6.5	.11										
120C13D	1/4*	1300	4084	-	1393		1316		1236		1152		1070		956											
					9.6	.13	9.6	.14	9.5	.15	9.2	.16	8.9	.16	8.5	.16										
120C15D	1/4*	1550	4869	-	1661		1596		1531		1463		1392		1324		1252		1154		959					
					12.4	.23	12.4	.23	12.4	.24	12.2	.25	12.0	.26	11.6	.27	11.3	.27	10.9	.27	10.6	.25				
120C17D	1/3	1725	5417	-	1848		1790		1732		1672		1610		1547		1485		1423		1349		1039			
					14.8	.31	14.8	.32	14.8	.33	14.7	.34	14.5	.35	14.3	.36	14.0	.37	13.7	.37	13.3	.37	12.8	.34		
135C10D	1/6	1075	3795	-	1640		1535		1424		1313		1187													
					8.2	.14	8.2	.14	8.1	.15	7.7	.16	7.4	.16												
135C11D	1/6	1140	4029	-	1739		1640		1537		1431		1324		1165		1324									
					9.5	.16	9.5	.17	9.4	.18	9.1	.19	8.7	.19	8.4	.19	8.7	.19								
135C13D	1/2*	1300	4595	-	1983		1897		1808		1715		1622		1530		1414		1194							
					12.2	.24	12.2	.25	12.2	.26	12.0	.27	11.7	.28	11.3	.28	11.0	.28	10.6	.27						
135C15D	1/2*	1550	5478	-	2364		2292		2219		2144		2066		1987		1910		1833		1744					
					15.8	.41	15.8	.42	15.8	.43	15.7	.44	15.5	.46	15.3	.48	15.0	.48	14.6	.48	14.3	.48				
135C17D	3/4	1725	6089	-	2539		2479		2418		2358		2297		2234		2171		2104		2033		1865 1645			
					19.2	.63	19.2	.64	19.2	.65	19.2	.67	19.0	.68	18.8	.70	18.7	.71	18.4	.73	18.0	.74	17.4	.75	16.8	.74
150C10D	1/3	1075	4225	-	2249		2133		2013		1887		1764		1617		1306									
					10.4	.23	10.4	.24	10.3	.25	10.0	.27	9.7	.27	9.3	.27	8.9	.26								
150C11D	1/3	1140	4477	-	2385		2276		2164		2045		1928		1808		1640		1187							
					11.8	.27	11.8	.28	11.8	.30	11.6	.31	11.2	.33	10.8	.32	10.5	.32	10.1	.28						
150C13D	3/4*	1300	5105	-	2720		2624		2527		2427		2322		2219		2117		2000		1828					
					15.3	.41	15.3	.42	15.3	.43	15.1	.45	14.9	.47	14.5	.48	14.1	.48	13.8	.48	13.4	.48				
150C15D	3/4*	1550	6087	-	3243		3163		3082		3000		2916		2829		2741		2655		2570		2379 2038			
					19.6	.69	19.6	.70	19.6	.71	19.6	.73	19.4	.75	19.2	.78	19.0	.80	18.6	.82	18.3	.82	17.6	.81	17.1	.80
165C10D	1/3	1050	4644	-	2935		2799		2644		2489		2321		2125		1902									
					12.1	.41	12.1	.41	12.0	.42	11.9	.42	11.5	.43	11.2	.43	10.8	.43								
165C11D	3/4	1140	4924	-	3187		3062		2925		2777		2636		2470		2636		2082		1754					
					14.4	.52	14.4	.52	14.4	.53	14.2	.54	14.0	.54	13.6	.55	14.0	.54	12.8	.55	12.5	.53				
180C10D	3/4	1075	5066	-	3958		3853		3745		3625		3481		3299		3481		2883		2502					
					15.8	.62	15.8	.64	15.8	.66	15.4	.68	15.0	.70	14.1	.71	15.0	.70	12.7	.71	12.0	.68				
180C11D	3/4	1140	5369	-	4197		4099		3997		3888		3764		3610		3429		3245		3025					
					17.3	.74	17.3	.76	17.3	.78	16.9	.80	1													

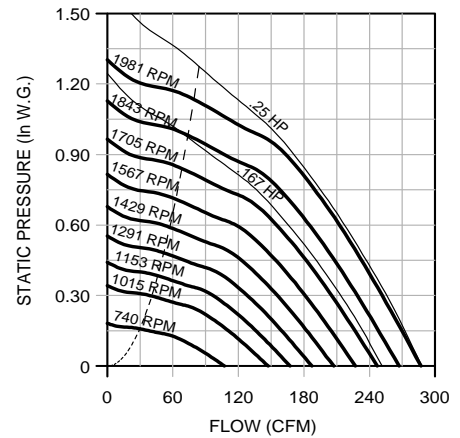
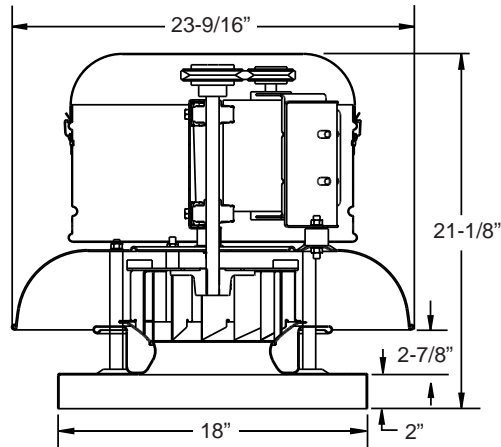
60 - 80 ACEB Data

60 ACEB

Wheel Diameter - 10"
Tip Speed (FPM) - 2.6 x RPM
Maximum RPM - 1981
Maximum BHP - .032 x (RPM/1000)³
Maximum Motor Frame - 48
Approx. Ship Wt. (Less Motor) - 30 lbs.
Roof Curb - RCG, RCA 16
Roof Opening - 13-1/2" Sq.

Material Gauges

Top Cap Lid - .050
Top Cap Cylinder - .040
Baffle - .080
Base - .063

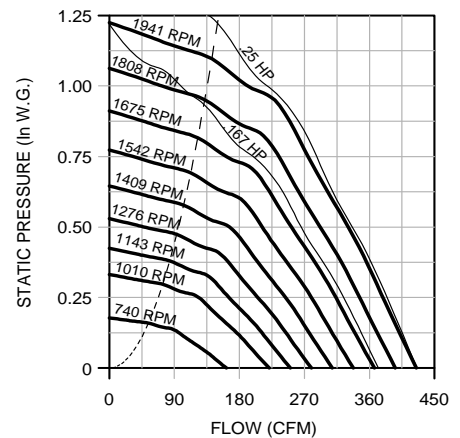
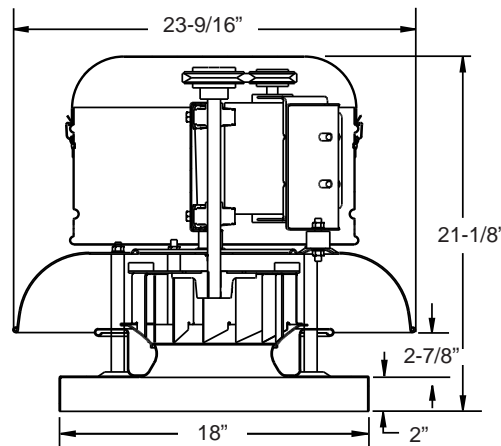


70 ACEB

Wheel Diameter - 10"
Tip Speed (FPM) - 2.6 x RPM
Maximum RPM - 1941
Maximum BHP - .034 x (RPM/1000)³
Maximum Motor Frame - 48
Approx. Ship Wt. (Less Motor) - 30 lbs.
Roof Curb - RCG, RCA 16
Roof Opening - 13-1/2" Sq.

Material Gauges

Top Cap Lid - .050
Top Cap Cylinder - .040
Baffle - .080
Base - .063

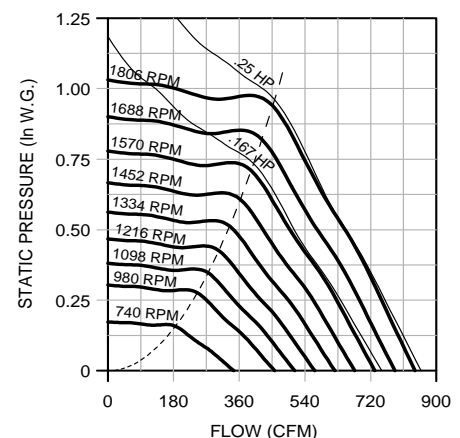
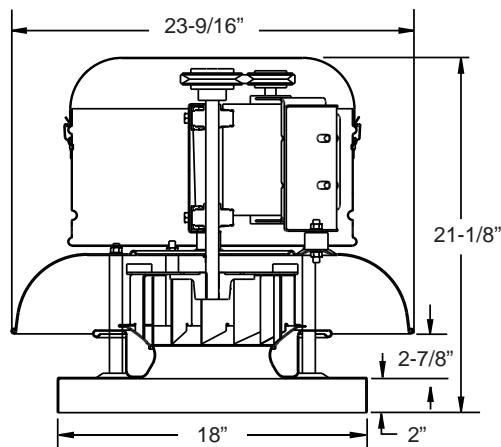


80 ACEB

Wheel Diameter - 10"
Tip Speed (FPM) - 2.6 x RPM
Maximum RPM - 1806
Maximum BHP - .042 x (RPM/1000)³
Maximum Motor Frame - 48
Approx. Ship Wt. (Less Motor) - 30 lbs.
Roof Curb - RCG, RCA 16
Roof Opening - 13-1/2" Sq.

Material Gauges

Top Cap Lid - .050
Top Cap Cylinder - .040
Baffle - .080
Base - .063



Performance certified is for Installation Type A: free inlet, free outlet. Power rating (BHP) does not include transmission losses. Performance ratings do not include the effects of appurtenances (accessories). The sound ratings shown are loudness values in fan sones at 5 ft. (1.5m) in a hemispherical free field calculated per AMCA Standard 301. Values shown are for Installation Type A: free inlet hemispherical sone levels. *1/6 & 1/4 HP motor available only in single phase ODP type.

60 ACEB

Catalog Number	Mtr. HP/ Drv. Wt.	Fan RPM	Tip Speed	CFM at Static Pressure																					
				0.00" SP		0.125" SP		0.250" SP		0.375" SP		0.500" SP		0.625" SP		0.750" SP		0.875" SP		1.000" SP		1.250" SP		1.500" SP	
				Sone	BHP	Sone	BHP	Sone	BHP	Sone	BHP	Sone	BHP	Sone	BHP	Sone	BHP	Sone	BHP	Sone	BHP	Sone	BHP	Sone	BHP
60C2B	1/6* 15 lbs.	740	1937	107		61																			
				1.3	.01	1.0	.01																		
		937	2453	136		103		41																	
				2.9	.03	2.6	.03	2.1	.02																
		1134	2968	164		138		108																	
				5.3	.05	5.1	.05	4.9	.05																
		1331	3484	193		171		147		119		60													
		7.5	.08	7.5	.07	7.4	.07	7.1	.07	6.3	.06	86													
1528	4000	222		203		183		161		135															
		9.3	.11	9.2	.11	9.1	.11	9.0	.11	8.7	.11	7.9	.10												
1723	4510	250		233		216		197		177		154		118											
		11.4	.16	11.4	.16	11.3	.16	11.2	.16	11.0	.16	10.8	.16	10.0	.15										
60C3B	1/4* 15 lbs.	1787	4678	259		243		226		209		190		169		143		92							
				12.2	.18	12.1	.18	12.1	.18	12.0	.18	11.8	.18	11.7	.18	11.0	.17	10.3	.16						
		1851	4845	268		253		237		220		202		182		160		122							
				13.0	.20	13.0	.20	12.9	.20	12.8	.20	12.7	.20	12.5	.20	12.1	.20	11.4	.18						
1915	5013	278		263		247		231		214		196		175		150		101							
		13.9	.22	13.9	.22	13.8	.22	13.7	.22	13.6	.22	13.5	.22	13.3	.22	12.5	.21	11.8	.20						
1981	5186	287		273		258		242		226		209		190		168		131							
		14.9	.25	14.8	.24	14.7	.24	14.7	.24	14.5	.24	14.4	.24	14.3	.24	13.7	.24	13.0	.23						

70 ACEB

Catalog Number	Mtr. HP/ Drv. Wt.	Fan RPM	Tip Speed	CFM at Static Pressure																					
				0.00" SP		0.125" SP		0.250" SP		0.375" SP		0.500" SP		0.625" SP		0.750" SP		0.875" SP		1.000" SP		1.250" SP		1.500" SP	
				Sone	BHP	Sone	BHP	Sone	BHP	Sone	BHP	Sone	BHP	Sone	BHP	Sone	BHP	Sone	BHP	Sone	BHP	Sone	BHP	Sone	BHP
70C2B	1/6* 15 lbs.	740	1937	162		96																			
				1.7	.01	1.2	.01																		
		930	2434	204		154		70																	
				3.2	.03	2.8	.03	2.6	.02																
		1120	2932	245		205		159		63															
				5.7	.05	5.4	.05	5.0	.05	4.8	.04														
		1310	3429	287		253		216		176		95													
		8.2	.08	8.0	.07	7.6	.07	7.3	.07	7.1	.07														
1500	3926	329		298		269		233		199		130													
		10.1	.11	9.8	.11	9.6	.11	9.2	.11	8.9	.11	8.6	.10												
1689	4421	370		343		317		289		256		173													
		12.3	.16	12.1	.16	11.9	.16	11.6	.16	11.3	.16	11.0	.15	10.7	.15										
70C3B	1/4* 15 lbs.	1752	4586	384		358		333		306		275		245		215		139							
				13.2	.18	12.9	.18	12.7	.18	12.5	.18	12.2	.18	11.9	.17	11.5	.18	11.2	.16						
		1815	4751	397		372		348		323		294		264		237		179		82					
				14.1	.20	13.9	.20	13.7	.20	13.4	.20	13.1	.20	12.8	.19	12.4	.19	12.1	.19	11.8	.16				
1878	4916	411		387		363		340		313		283		256		226		152							
		15.1	.23	14.9	.22	14.6	.22	14.4	.22	14.1	.22	13.8	.22	13.5	.21	13.1	.22	12.8	.20						
1941	5081	425		402		379		356		331		302		275		249		192							
		16.0	.25	15.8	.24	15.6	.24	15.4	.24	15.1	.24	14.9	.24	14.6	.23	14.2	.24	13.8	.23						

80 ACEB

Catalog Number	Mtr. HP/ Drv. Wt.	Fan RPM	Tip Speed	CFM at Static Pressure																					
				0.00" SP		0.125" SP		0.250" SP		0.375" SP		0.500" SP		0.625" SP		0.750" SP		0.875" SP		1.000" SP		1.250" SP		1.500" SP	
				Sone	BHP	Sone	BHP	Sone	BHP	Sone	BHP	Sone	BHP	Sone	BHP	Sone	BHP	Sone	BHP	Sone	BHP	Sone	BHP	Sone	BHP
80C2B	1/6* 15 lbs.	740	1937	345		221																			
				2.0	.02	1.4	.02																		
		906	2371	422		327		102																	
				3.4	.03	2.9	.03	2.3	.02																
		1072	2806	500		423		329																	
				5.4	.05	4.9	.05	4.5	.05																
		1238	3241	577		510		434		356															
		7.6	.08	7.2	.08	6.8	.08	6.4	.08																
1404	3675	654		595		536		460		394															
		9.2	.11	8.8	.11	8.5	.12	8.2	.12	7.6	.11														
1571	4112	732		679		627		567		500		442		181											
		10.9	.16	10.5	.16	10.1	.16	9.8	.16	9.5	.16	9.0	.16	8.5	.12										
80C3B	1/4* 15 lbs.	1630	4267	760		709		659		603		537		479		418									
				11.6	.17	11.2	.18	10.8	.18	10.5	.18	10.2	.18	9.8	.18	9.2	.18								
		1689	4421	787		738		690		638		574		516		463		173							
				12.3	.19	12.0	.20	11.6	.20	11.3	.20	11.0	.20	10.6	.20	10.1	.20	9.6	.15						
1748	4576	815		767		720		672		613		553		501		440									
		13.1	.21	12.7	.22	12.3	.22	12.0	.22	11.7	.23	11.5	.22	10.9	.22	10.4	.22								
1806	4728	842		796		750		704		650		590		538		487		189							
		13.9	.24	13.5	.24	13.1	.24	12.8	.25	12.5	.25	12.2	.25	11.8	.24	11.3	.24	10.8	.19						

Performance certified is for Installation Type A: free inlet, free outlet. Power rating (BHP) does not include transmission losses. Performance ratings do not include the effects of appurtenances (accessories). The sound ratings shown are loudness values in fan sones at 5 ft. (1.5m) in a hemispherical free field calculated per AMCA Standard 301. Values shown are for Installation Type A: free inlet hemispherical sone levels. *1/6 & 1/4 HP motor available only in single phase ODP type.

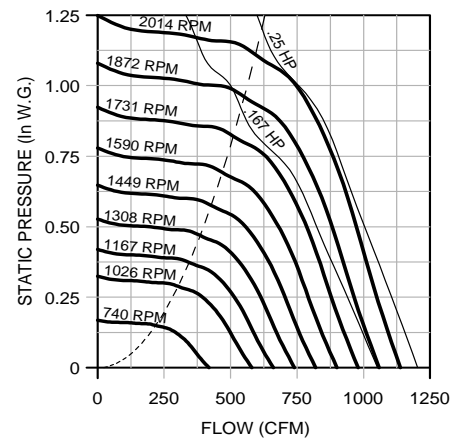
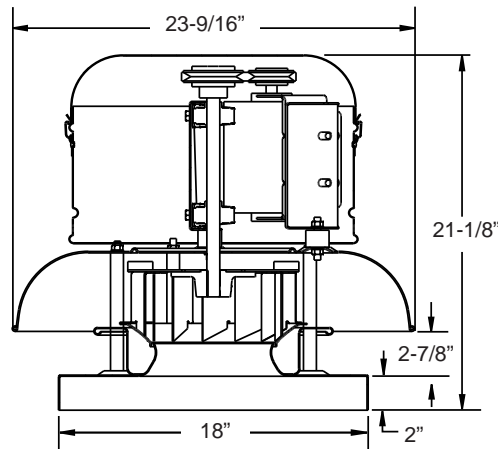
100 - 135 ACEB Data

100 ACEB

Wheel Diameter - 10"
Tip Speed (FPM) - 2.6 x RPM
Maximum RPM - 2013
Maximum BHP - .030 x (RPM/1000)³
Maximum Motor Frame - 48
Approx. Ship Wt. (Less Motor) - 30 lbs.
Roof Curb - RCG, RCA 16
Roof Opening - 13-1/2" Sq.

Material Gauges

Top Cap Lid - .063
Top Cap Cylinder - 0.40
Baffle - .080
Base - .063

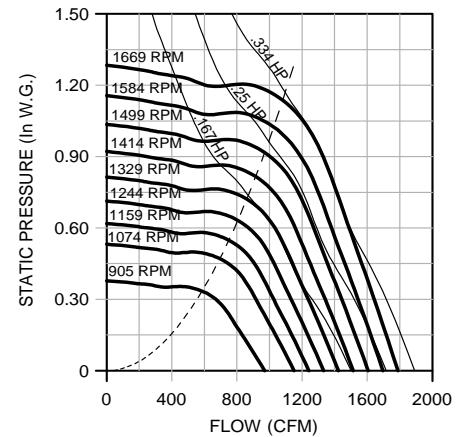
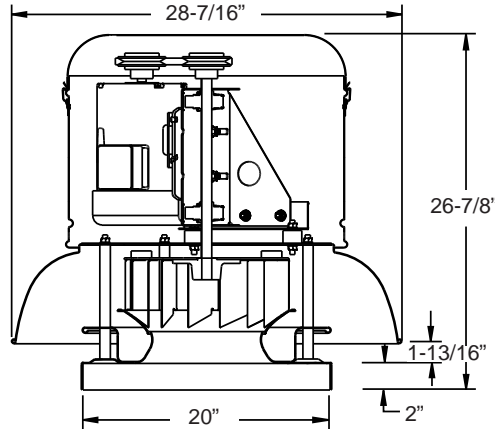


120 ACEB

Wheel Diameter - 12"
Tip Speed (FPM) - 3.1 x RPM
Maximum RPM - 1669
Maximum BHP - .072 x (RPM/1000)³
Maximum Motor Frame - 56
Approx. Ship Wt. (Less Motor) - 55 lbs.
Roof Curb - RCG, RCA 18
Roof Opening - 15-1/2" Sq.

Material Gauges

Top Cap Lid - .050
Top Cap Cylinder - 0.40
Baffle - .063
Base - .063

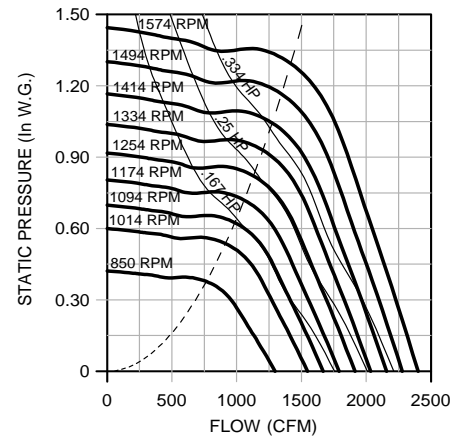
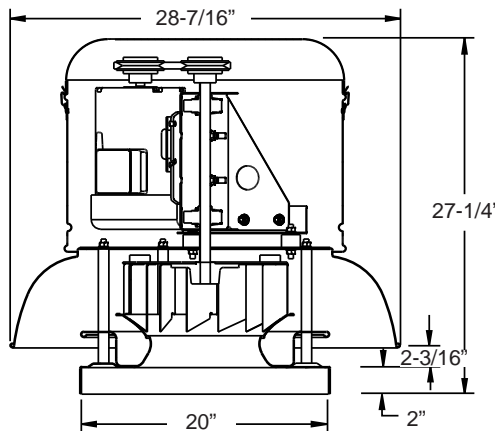


135 ACEB

Wheel Diameter - 13.5"
Tip Speed (FPM) - 3.5 x RPM
Maximum RPM - 1574
Maximum BHP - .13 x (RPM/1000)³
Maximum Motor Frame - 56
Approx. Ship Wt. (Less Motor) - 60 lbs.
Roof Curb - RCG, RCA 18
Roof Opening - 15-1/2" Sq.

Material Gauges

Top Cap Lid - .050
Top Cap Cylinder - .040
Baffle - .063
Base - .063



Performance certified is for Installation Type A: free inlet, free outlet. Power rating (BHP) does not include transmission losses. Performance ratings do not include the effects of appurtenances (accessories). The sound ratings shown are loudness values in fan sones at 5 ft. (1.5m) in a hemispherical free field calculated per AMCA Standard 301. Values shown are for Installation Type A: free inlet hemispherical sone levels.

100 ACEB

Catalog Number	Mtr. HP/ Drv. Wt.	Fan RPM	Tip Speed	CFM at Static Pressure																					
				0.00" SP		0.125" SP		0.250" SP		0.375" SP		0.500" SP		0.625" SP		0.750" SP		0.875" SP		1.000" SP		1.250" SP		1.500" SP	
				Sone	BHP	Sone	BHP	Sone	BHP	Sone	BHP	Sone	BHP	Sone	BHP	Sone	BHP	Sone	BHP	Sone	BHP	Sone	BHP	Sone	BHP
100C2B	1/6* 15 lbs.	740	1937	419		293																			
				1.9	.01	1.6	.01																		
		942	2466	533		445		254																	
				3.4	.02	3.2	.02	3.1	.02																
		1144	2994	647		573		497		240															
				5.6	.04	5.5	.04	5.3	.04	5.2	.03														
		1346	3523	762		696		638		564		389													
		7.6	.06	7.6	.07	7.4	.07	7.2	.07	7.1	.07														
1548	4052	876		817		766		715		646		525													
		9.3	.10	9.3	.10	9.2	.10	9.0	.11	8.9	.11	8.7	.11												
1752	4586	991		938		891		848		800		740		657		436									
		11.2	.14	11.2	.14	11.1	.15	10.9	.15	10.8	.16	10.7	.16	10.5	.16	10.4	.13								
100C3B	1/4* 15 lbs.	1818	4759	1029		978		932		890		846		793		723		591							
				11.9	.16	11.9	.16	11.9	.16	11.7	.17	11.5	.18	11.4	.18	11.3	.18	11.2	.18						
		1884	4932	1066		1017		972		931		890		842		782		700		509					
				12.8	.17	12.8	.18	12.8	.18	12.6	.19	12.4	.19	12.2	.20	12.1	.20	12.0	.20	11.8	.17				
		1950	5105	1103		1056		1012		972		933		889		836		769		647					
		13.7	.19	13.7	.20	13.7	.20	13.5	.21	13.3	.21	13.2	.22	13.1	.22	12.9	.22	12.8	.22						
2014	5272	1140		1094		1051		1012		974		934		886		826		748							
		14.8	.21	14.8	.21	14.8	.22	14.6	.23	14.3	.23	14.1	.24	14.0	.24	13.9	.24	13.8	.25						

*1/6 & 1/4 HP motor available only in single phase ODP type.

120 ACEB

Catalog Number	Mtr. HP/ Drv. Wt.	Fan RPM	Tip Speed	CFM at Static Pressure																					
				0.00" SP		0.125" SP		0.250" SP		0.375" SP		0.500" SP		0.625" SP		0.750" SP		0.875" SP		1.000" SP		1.250" SP		1.500" SP	
				Sone	BHP	Sone	BHP	Sone	BHP	Sone	BHP	Sone	BHP	Sone	BHP	Sone	BHP	Sone	BHP	Sone	BHP	Sone	BHP	Sone	BHP
120C2B	1/6 15 lbs.	905	2843	970		857		737																	
				4.5	.05	4.4	.05	4.1	.05																
		987	3100	1057		955		846		698															
				5.4	.06	5.4	.06	5.1	.07	4.7	.07														
		1069	3358	1145		1051		951		846		341													
				6.5	.07	6.5	.08	6.2	.09	5.9	.09	5.5	.05												
		1151	3615	1233		1146		1053		961		831													
		7.6	.09	7.6	.10	7.4	.11	7.0	.11	6.7	.11														
1233	3873	1321		1240		1154		1067		974		787													
		8.9	.11	8.9	.12	8.7	.13	8.3	.14	8.0	.13	7.6	.13												
1313	4124	1407		1331		1252		1169		1088		981		439											
		9.7	.14	9.7	.14	9.6	.15	9.4	.16	9.0	.16	8.6	.16	8.3	.10										
120C3B	1/4 15 lbs.	1411	4432	1512		1441		1368		1292		1216		1137		1021		433							
				10.8	.17	10.8	.18	10.8	.18	10.6	.20	10.2	.20	9.8	.20	9.5	.20	9.2	.12						
1510	4743	1618		1552		1484		1414		1342		1272		1193		1072		472							
		11.9	.21	11.9	.21	11.9	.22	11.7	.23	11.5	.25	11.1	.25	10.8	.25	10.4	.24	10.1	.14						
120C4B	1/3 19 lbs.	1590	4995	1703		1641		1577		1511		1443		1376		1308		1224		1087					
				12.8	.24	12.8	.25	12.8	.26	12.7	.27	12.5	.28	12.2	.29	11.8	.29	11.5	.29	11.2	.28				
1669	5243	1788		1729		1668		1606		1541		1476		1413		1345		1256		316					
		13.8	.28	13.8	.29	13.8	.30	13.7	.31	13.5	.32	13.3	.33	12.9	.34	12.6	.33	12.3	.33	11.7	.14				

135 ACEB

Catalog Number	Mtr. HP/ Drv. Wt.	Fan RPM	Tip Speed	CFM at Static Pressure																					
				0.00" SP		0.125" SP		0.250" SP		0.375" SP		0.500" SP		0.625" SP		0.750" SP		0.875" SP		1.000" SP		1.250" SP		1.500" SP	
				Sone	BHP	Sone	BHP	Sone	BHP	Sone	BHP	Sone	BHP	Sone	BHP	Sone	BHP	Sone	BHP	Sone	BHP	Sone	BHP	Sone	BHP
135C2B	1/6 15 lbs.	850	3004	1296		1162		1020		776															
				5.2	.07	5.1	.07	4.8	.08	4.4	.08														
		926	3272	1412		1290		1159		1016															
				6.1	.09	6.1	.09	5.9	.10	5.5	.10														
1002	3541	1528		1416		1296		1175		982															
		7.2	.11	7.2	.12	7.0	.13	6.7	.13	6.3	.13														
1079	3813	1646		1541		1431		1320		1196															
		8.4	.14	8.4	.14	8.3	.15	8.0	.16	7.6	.16														
135C3B	1/4 15 lbs.	1159	4096	1768		1671		1570		1465		1361		1220											
				9.9	.17	9.9	.18	9.7	.19	9.5	.20	9.1	.20	8.7	.20										
1240	4382	1891		1801		1708		1610		1513		1410		1247											
		11.4	.21	11.4	.22	11.3	.23	11.1	.24	10.8	.25	10.4	.25	10.0	.24										
135C4B	1/3 19 lbs.	1306	4615	1992		1906		1818		1726		1633		1541		1428		1221							
				12.3	.24	12.3	.25	12.3	.26	12.1	.28	11.8	.29	11.4	.29	11.1	.29	10.7	.28						
1371	4845	2091		2010		1926		1839		1750		1663		1571		1443									
		13.2	.28	13.2	.29	13.2	.30	13.0	.31	12.8	.33	12.4	.34	12.0	.33	11.7	.33								
135C5B	1/2 23 lbs.	1473	5206	2247		2171		2094		2014		1931		1849		1769		1681		1561					
				14.7	.35	14.7	.36	14.7	.37	14.5	.38	14.3	.40	14.0	.41	13.6	.42	13.3	.41	13.0	.41				
1574	5562	2401		2330		2258		2184		2108		2030		1954		1878		1795		1514					
		16.2	.43	16.2	.43	16.2	.44	16.1	.46	15.9	.48	15.7	.50	15.4	.51	15.0	.51	14.7	.50	14.0	.49				

Performance certified is for Installation Type A: free inlet, free outlet. Power rating (BHP) does not include transmission losses. Performance ratings do not include the effects of appurtenances (accessories). The sound ratings shown are loudness values in fan sonets at 5 ft. (1.5m) in a hemispherical free field calculated per AMCA Standard 301. Values shown are for Installation Type A: free inlet hemispherical sone levels.

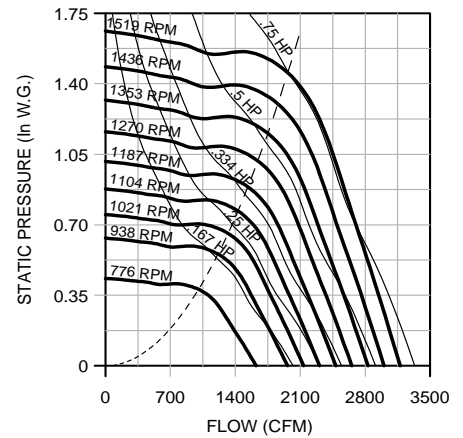
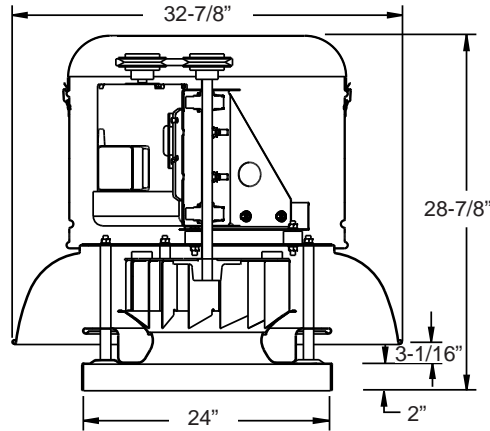
150 - 180 ACEB Data

150 ACEB

Wheel Diameter - 15"
Tip Speed (FPM) - 3.9 x RPM
Maximum RPM - 1519
Maximum BHP - .22 x (RPM/1000)³
Maximum Motor Frame - 56
Approx. Ship Wt. (Less Motor) - 70 lbs.
Roof Curb - RCG, RCA 22
Roof Opening - 19-1/2" Sq.

Material Gauges

Top Cap Lid - .050
Top Cap Cylinder - .040
Baffle - .063
Base - .063

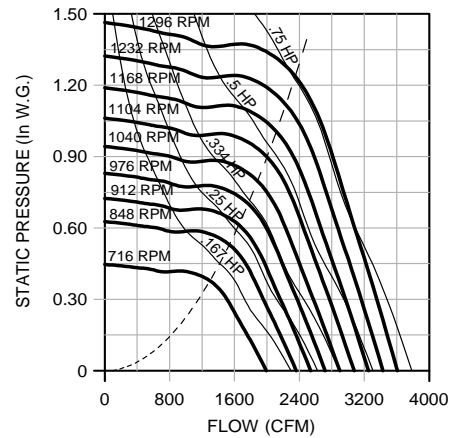
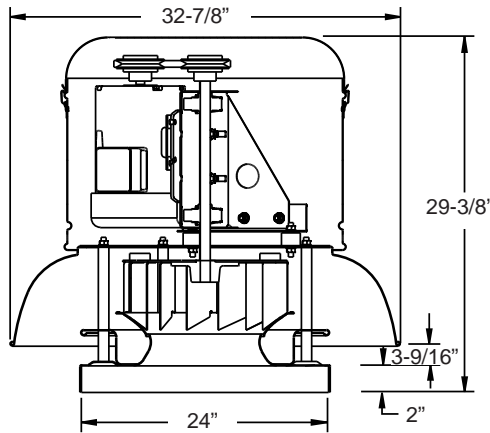


165 ACEB

Wheel Diameter - 16.5"
Tip Speed (FPM) - 4.3 x RPM
Maximum RPM - 1296
Maximum BHP - .35 x (RPM/1000)³
Maximum Motor Frame - 56
Approx. Ship Wt. (Less Motor) - 75 lbs.
Roof Curb - RCG, RCA 22
Roof Opening - 19-1/2" Sq.

Material Gauges

Top Cap Lid - .050
Top Cap Cylinder - .040
Baffle - .063
Base - .063

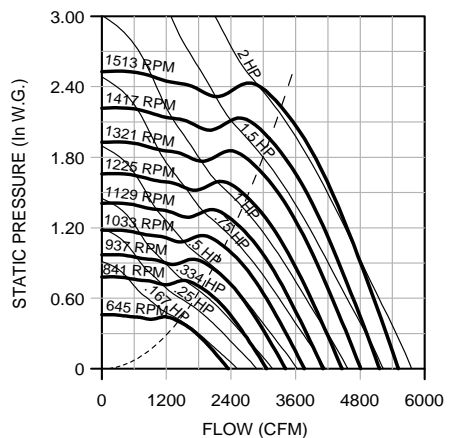
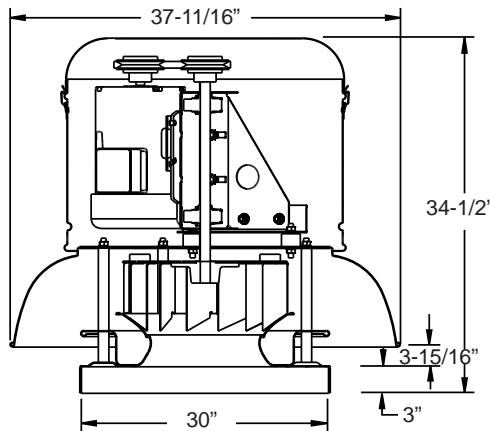


180 ACEB

Wheel Diameter - 18"
Tip Speed (FPM) - 4.7 x RPM
Maximum RPM - 1513
Maximum BHP - .61 x (RPM/1000)³
Maximum Motor Frame - 145T
Approx. Ship Wt. (Less Motor) - 90 lbs.
Roof Curb - RCG, RCA 28
Roof Opening - 25-1/2" Sq.

Material Gauges

Top Cap Lid - .050
Top Cap Cylinder - .040
Baffle - .063
Base - .080



Performance certified is for Installation Type A: free inlet, free outlet. Power rating (BHP) does not include transmission losses. Performance ratings do not include the effects of appurtenances (accessories). The sound ratings shown are loudness values in fan sones at 5 ft. (1.5m) in a hemispherical free field calculated per AMCA Standard 301. Values shown are for Installation Type A: free inlet hemispherical sone levels. *1/6 & 1/4 HP motor available only in single phase ODP type.

150 ACEB

Catalog Number	Mtr. HP/ Drv. Wt.	Fan RPM	Tip Speed	CFM at Static Pressure															
				0.00" SP	0.125" SP	0.250" SP	0.375" SP	0.500" SP	0.625" SP	0.750" SP	0.875" SP	1.000" SP	1.250" SP	1.500" SP					
				Sone BHP	Sone BHP	Sone BHP	Sone BHP	Sone BHP	Sone BHP	Sone BHP	Sone BHP	Sone BHP	Sone BHP	Sone BHP					
150C2B	1/6 15 lbs.	776	3047	1624	1460	1288	1024												
		840	3298	1757	1608	1448	1276												
		904	3550	1891	1753	1605	1457	1224											
150C3B	1/4 15 lbs.	972	3817	2034	1905	1769	1632	1479											
		1040	4084	2176	2056	1931	1801	1672	1495										
150C4B	1/3 19 lbs.	1150	4516	2406	2298	2187	2069	1953	1835	1677									
				12.0 .28	12.0 .29	12.0 .30	11.8 .32	11.5 .33	11.1 .33	10.7 .33									
150C5B	1/2 23 lbs.	1235	4849	2584	2483	2381	2273	2163	2056	1942	1785								
		1320	5183	2762	2668	2572	2473	2370	2269	2169	2059	1907							
150C6B	3/4 31 lbs.	1420	5576	2971	2884	2795	2705	2610	2514	2421	2328	2226	1887						
		1519	5965	3178	3096	3014	2930	2844	2755	2665	2578	2491	2282						
				19.0 .65	19.0 .66	19.0 .67	19.0 .69	18.8 .71	18.6 .74	18.4 .76	18.0 .77	17.7 .77	17.1 .76						

165 ACEB

Catalog Number	Mtr. HP/ Drv. Wt.	Fan RPM	Tip Speed	CFM at Static Pressure														
				0.00" SP	0.125" SP	0.250" SP	0.375" SP	0.500" SP	0.625" SP	0.750" SP	0.875" SP	1.000" SP	1.250" SP	1.500" SP				
				Sone BHP	Sone BHP	Sone BHP	Sone BHP	Sone BHP	Sone BHP	Sone BHP	Sone BHP	Sone BHP	Sone BHP	Sone BHP				
165C2B	1/6 15 lbs.	716	3092	1994	1800	1594	1309											
		771	3330	2147	1968	1776	1573											
165C3B	1/4 15 lbs.	829	3581	2309	2143	1965	1788	1525										
		887	3831	2470	2315	2152	1986	1803										
165C4B	1/3 19 lbs.	934	4034	2601	2454	2301	2141	1982	1746									
		981	4237	2732	2592	2448	2295	2147	1971									
165C5B	1/2 23 lbs.	1053	4548	2933	2803	2669	2529	2388	2247	2064								
		1126	4863	3136	3014	2891	2761	2628	2499	2362	2175							
165C6B	3/4 31 lbs.	1211	5231	3373	3260	3145	3027	2904	2782	2662	2532	2360						
		1296	5598	3609	3504	3397	3288	3175	3060	2946	2834	2712						
				18.4 .65	18.4 .66	18.4 .68	18.3 .70	18.1 .72	17.9 .75	17.5 .77	17.1 .77	16.8 .77						

180 ACEB

Catalog Number	Mtr. HP/ Drv. Wt.	Fan RPM	Tip Speed	CFM at Static Pressure														
				0.00" SP	0.125" SP	0.250" SP	0.375" SP	0.500" SP	0.625" SP	0.750" SP	0.875" SP	1.000" SP	1.250" SP	1.500" SP				
				Sone BHP	Sone BHP	Sone BHP	Sone BHP	Sone BHP	Sone BHP	Sone BHP	Sone BHP	Sone BHP	Sone BHP	Sone BHP				
180C2B	1/6 15 lbs.	645	3039	2349	2123	1875	1539											
				6.1 .14	6.0 .15	5.3 .16	4.5 .16											
180C3B	1/4 15 lbs.	742	3496	2702	2509	2302	2070	1759										
				8.0 .21	7.9 .22	7.4 .24	6.6 .24	5.9 .25										
180C4B	1/3 19 lbs.	820	3864	2986	2813	2628	2433	2206	1901									
				9.6 .28	9.6 .30	9.1 .31	8.5 .33	7.7 .33	7.1 .33									
180C5B	1/2 23 lbs.	881	4151	3208	3048	2877	2700	2506	2276									
		942	4439	3430	3281	3123	2960	2787	2594	2361								
180C6B	3/4 31 lbs.	1084	5108	3948	3819	3684	3544	3402	3253	3093	2915	2705						
				16.1 .65	16.1 .66	16.0 .69	15.6 .71	15.2 .73	14.4 .75	13.6 .76	12.9 .77	12.3 .77						
180C7B	1 36 lbs.	1196	5636	4355	4240	4118	3993	3866	3736	3601	3458	3304	2927					
				18.5 .87	18.5 .89	18.5 .91	18.2 .94	17.8 .97	17.4 .99	16.7 1.00	16.0 1.02	15.3 1.03	14.0 1.03					
180C8B	1-1/2 38 lbs.	1373	6470	5000	4900	4796	4688	4579	4468	4356	4242	4123	3867	3571				
				23 1.31	23 1.33	23 1.36	23 1.40	23 1.43	22 1.46	22 1.48	21 1.50	21 1.52	19.4 1.55	18.2 1.56				
180C9B	2 50 lbs.	1443	6799	5255	5160	5061	4960	4856	4751	4645	4538	4428	4196	3937				
		1513	7129	5510	5419	5326	5229	5131	5032	4931	4830	4726	4512	4280				
				27.0 1.75	27.0 1.78	27.0 1.81	27.0 1.84	27.0 1.88	26.0 1.92	26.0 1.95	26.0 1.97	25 2.00	24 2.04	23 2.07				

Performance certified is for Installation Type A: free inlet, free outlet. Power rating (BHP) does not include transmission losses. Performance ratings do not include the effects of appurtenances (accessories). The sound ratings shown are loudness values in fan sones at 5 ft. (1.5m) in a hemispherical free field calculated per AMCA Standard 301. Values shown are for Installation Type A: free inlet hemispherical sone levels.

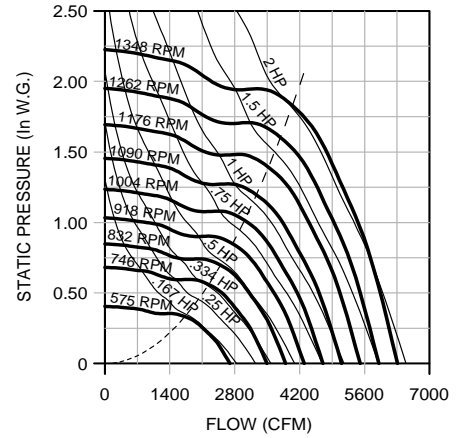
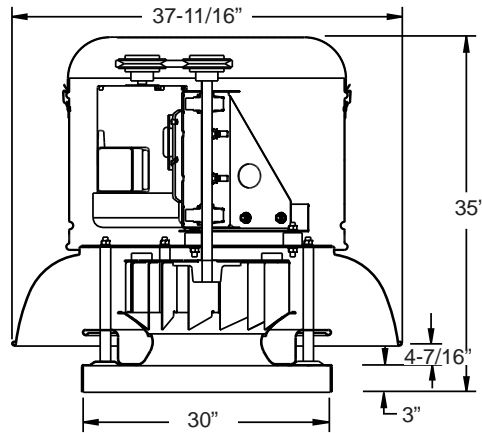
195 - 225 ACEB Data

195 ACEB

Wheel Diameter - 19.5"
Tip Speed (FPM) - 5.1 x RPM
Maximum RPM - 1348
Maximum BHP - .90 x (RPM/1000)³
Maximum Motor Frame - 145T
Approx. Ship Wt. (Less Motor) - 100 lbs.
Roof Curb - RCG, RCA 28
Roof Opening - 25-1/2" Sq.

Material Gauges

Top Cap Lid - .050
Top Cap Cylinder - .040
Baffle - .063
Base - .080

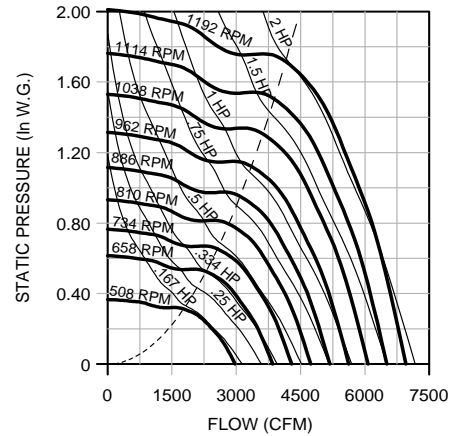
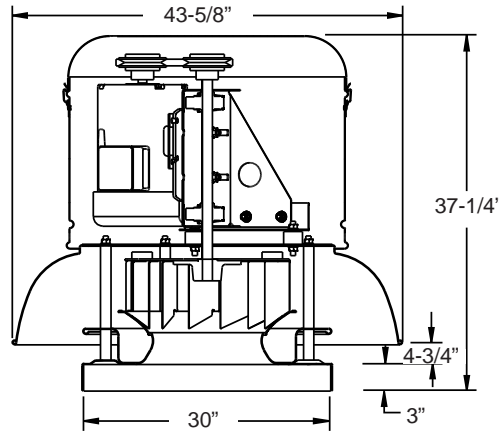


210 ACEB

Wheel Diameter - 21"
Tip Speed (FPM) - 5.5 x RPM
Maximum RPM - 1190
Maximum BHP - 1.3 x (RPM/1000)³
Maximum Motor Frame - 182T
Approx. Ship Wt. (Less Motor) - 200 lbs.
Roof Curb - RCG, RCA 28
Roof Opening - 25-1/2" Sq.

Material Gauges

Top Cap Lid - .063
Top Cap Cylinder - .040
Baffle - .080
Base - .080

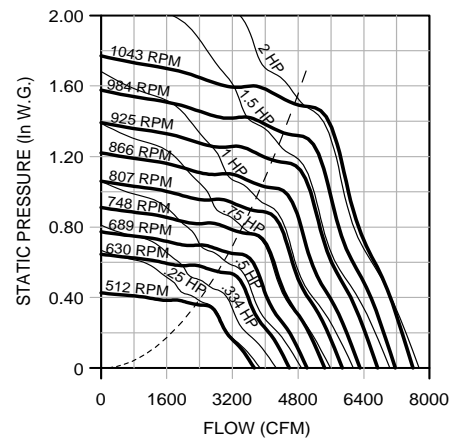
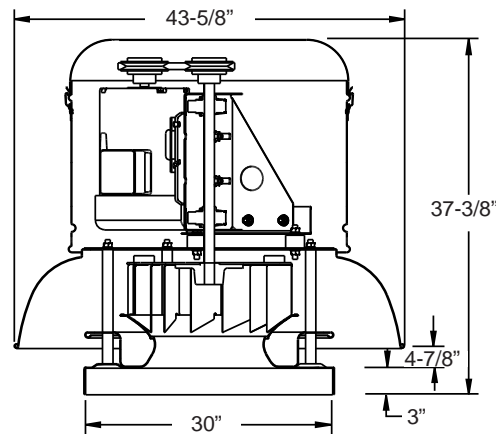


225 ACEB

Wheel Diameter - 22.5"
Tip Speed (FPM) - 5.9 x RPM
Maximum RPM - 1043
Maximum BHP - 1.9 x (RPM/1000)³
Maximum Motor Frame - 182T
Approx. Ship Wt. (Less Motor) - 220 lbs.
Roof Curb - RCG, RCA 28
Roof Opening - 25-1/2" Sq.

Material Gauges

Top Cap Lid - .063
Top Cap Cylinder - .040
Baffle - .080
Base - .080



Performance certified is for Installation Type A: free inlet, free outlet. Power rating (BHP) does not include transmission losses. Performance ratings do not include the effects of appurtenances (accessories). The sound ratings shown are loudness values in fan sones at 5 ft. (1.5m) in a hemispherical free field calculated per AMCA Standard 301. Values shown are for Installation Type A: free inlet hemispherical sone levels.

195 ACEB

Catalog Number	Mtr. HP/ Drv. Wt.	Fan RPM	Tip Speed	CFM at Static Pressure																					
				0.00" SP		0.125" SP		0.250" SP		0.375" SP		0.500" SP		0.625" SP		0.750" SP		0.875" SP		1.000" SP		1.250" SP		1.500" SP	
				Sone	BHP	Sone	BHP	Sone	BHP	Sone	BHP	Sone	BHP	Sone	BHP	Sone	BHP	Sone	BHP	Sone	BHP	Sone	BHP	Sone	BHP
195C2B	1/6 15 lbs.	575	2935	2692		2467		2117																	
				5.9	.14	5.7	.15	4.9	.16																
195C3B	1/4 15 lbs.	661	3374	3094		2905		2653		2301															
				7.6	.22	7.5	.23	6.9	.24	6.1	.25														
195C4B	1/3 19 lbs.	731	3731	3422		3253		3052		2763		2395													
				9.1	.29	9.1	.31	8.7	.32	7.9	.33	7.2	.33												
195C5B	1/2 23 lbs.	839	4283	3927		3781		3622		3422		3158		2862											
				11.8	.44	11.8	.46	11.5	.48	11.0	.50	10.2	.50	9.4	.50										
195C6B	3/4 31 lbs.	903	4609	4227		4092		3948		3781		3558		3307		3003									
				13.5	.55	13.5	.57	13.3	.59	12.8	.61	12.1	.62	11.4	.63	10.6	.62								
				4522		4396		4264		4117		3935		3707		3470		3159							
195C7B	1 36 lbs.	1066	5442	4990		4876		4758		4633		4492		4317		4110		3897		3656					
				18.2	.91	18.2	.93	18.2	.95	17.9	.98	17.5	1.00	17.0	1.02	16.2	1.03	15.5	1.03	14.7	1.03				
195C8B	1-1/2 38 lbs.	1145	5845	5360		5254		5145		5032		4909		4767		4595		4399		4201		3684			
				20	1.12	20	1.15	20	1.17	20	1.20	19.7	1.22	19.3	1.25	18.7	1.27	18.0	1.28	17.3	1.28	15.9	1.26		
				5730		5631		5530		5425		5315		5193		5053		4887		4702		4323		3701	
195C9B	2 50 lbs.	1348	6881	6310		6220		6129		6036		5939		5837		5726		5603		5459		4785			
				26.0	1.83	26.0	1.86	26.0	1.89	26.0	1.92	26.0	1.95	25	1.98	25	2.01	25	2.04	24	2.06	23	2.09	22	2.09

210 ACEB

Catalog Number	Mtr. HP/ Drv. Wt.	Fan RPM	Tip Speed	CFM at Static Pressure																					
				0.00" SP		0.125" SP		0.250" SP		0.375" SP		0.500" SP		0.625" SP		0.750" SP		0.875" SP		1.000" SP		1.250" SP		1.500" SP	
				Sone	BHP	Sone	BHP	Sone	BHP	Sone	BHP	Sone	BHP	Sone	BHP	Sone	BHP	Sone	BHP	Sone	BHP	Sone	BHP	Sone	BHP
210C2B	1/6 15 lbs.	508	2792	2970		2691		2239																	
				5.4	.14	5.2	.16	4.3	.16																
210C3B	1/4 15 lbs.	584	3210	3415		3181		2849		2359															
				7.0	.22	6.9	.23	6.3	.25	5.5	.24														
210C4B	1/3 19 lbs.	646	3551	3777		3569		3310		2942		2310													
				8.4	.29	8.4	.31	7.9	.33	7.1	.33	6.4	.32												
210C5B	1/2 23 lbs.	742	4079	4338		4159		3961		3694		3365		2890											
				10.9	.44	10.9	.46	10.5	.48	9.9	.50	9.1	.50	8.4	.49										
210C6B	3/4 31 lbs.	854	4695	4993		4839		4676		4489		4244		3959		3639									
				14.4	.67	14.1	.70	13.9	.72	16.5	.74	12.8	.76	12.1	.77	11.3	.76								
210C7B	1 36 lbs.	898	4937	5251		5104		4951		4780		4570		4306		3673									
				15.5	.78	15.5	.81	15.4	.83	15.0	.86	14.4	.88	13.6	.89	12.9	.89	12.2	.88						
				5508		5368		5224		5066		4882		4648		4388		4114		3704					
210C8B	1-1/2 38 lbs.	1081	5943	6321		6199		6075		5946		5807		5649		5459		5240		5014		4477			
				22	1.37	22	1.40	22	1.43	21	1.46	21	1.49	21	1.51	20	1.54	19.3	1.56	18.6	1.56	17.2	1.54		
210C9B	2 50 lbs.	1137	6250	6648		6533		6416		6294		6165		6024		5862		5669		5456		4296			
				23	1.59	23	1.62	23	1.66	23	1.69	23	1.72	22	1.75	22	1.75	21	1.80	21	1.81	19.2	1.81	17.9	1.76
				6970		6860		6748		6634		6514		6385		6241		6075		5883		5472		4987	
210C9B	50 lbs.	1192	6553	25		1.83		25		1.87		25		1.90		25		1.93		25		1.97			
				24	2.00	24	2.03	23	2.06	23	2.08	21	2.09	19.9	2.07										

225 ACEB

Catalog Number	Mtr. HP/ Drv. Wt.	Fan RPM	Tip Speed	CFM at Static Pressure																					
				0.00" SP		0.125" SP		0.250" SP		0.375" SP		0.500" SP		0.625" SP		0.750" SP		0.875" SP		1.000" SP		1.250" SP		1.500" SP	
				Sone	BHP	Sone	BHP	Sone	BHP	Sone	BHP	Sone	BHP	Sone	BHP	Sone	BHP	Sone	BHP	Sone	BHP	Sone	BHP	Sone	BHP
225C3B	1/4 15 lbs.	512	3015	3729		3358		2940																	
				6.4	.22	6.2	.24	5.5	.25																
225C4B	1/3 19 lbs.	566	3334	4123		3802		3365		3120															
				7.6	.30	7.6	.32	7.0	.33	6.1	.33														
225C5B	1/2 23 lbs.	650	3828	4735		4464		4095		3778		3571													
				9.8	.46	9.8	.48	9.3	.50	8.6	.51	7.9	.50												
225C6B	3/4 31 lbs.	698	4111	5084		4836		4523		4161		3957		3714											
				11.2	.57	11.2	.59	10.8	.61	10.2	.62	9.4	.62	8.7	.62										
				5441		5210		4940		4578		4335		4162		3816									
225C7B	1 36 lbs.	825	4859	6009		5802		5573		5275		4965		4768		4613		4384							
				15.2	.93	15.2	.96	15.1	.98	14.6	1.01	14.1	1.03	13.3	1.03	12.5	1.03	11.8	1.02						
225C8B	1-1/2 38 lbs.	886	5218	6454		6261		6055		5809		5491		5250		5086		4942		4732					
				17.4	1.16	17.4	1.18	17.4	1.21	16.9	1.24	16.5	1.27	15.8	1.28	15.0	1.28	14.2	1.27	13.5	1.27				
				6898		6718		6529		6316		6040		5757		5563		5417		5282					
225C9B	2 50 lbs.	995	5861	7248		7077		6899		6703		6464		6179		5951		5787		5657		5341			
				21	1.64	21	1.67	21	1.70	21	1.73	21	1.76	20	1.79	19.7	1.81	18.9	1.81	18.2	1.81	16.8	1.80		
				7597		7434		7266		7085		6875		6611		6356		6170		6026		5777			
225C9B	50 lbs.	1043	6143	23		1.89		23		1.92		23		1.95		23		1.98		23		2.01			
				22	2.05	22	2.08	21	2.09	20	2.09	18.9	2.08												

Performance certified is for Installation Type A: free inlet, free outlet. Power rating (BHP) does not include transmission losses. Performance ratings do not include the effects of appurtenances (accessories). The sound ratings shown are loudness values in fan sones at 5 ft. (1.5m) in a hemispherical free field calculated per AMCA Standard 301. Values shown are for Installation Type A: free inlet hemispherical sone levels.

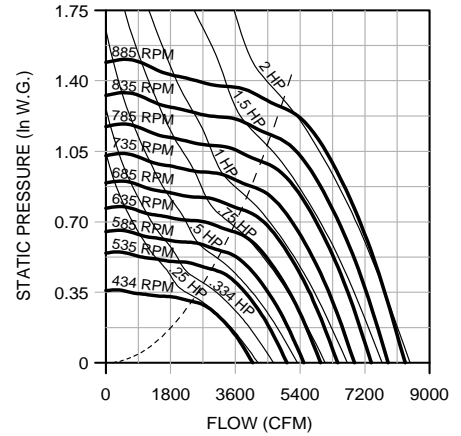
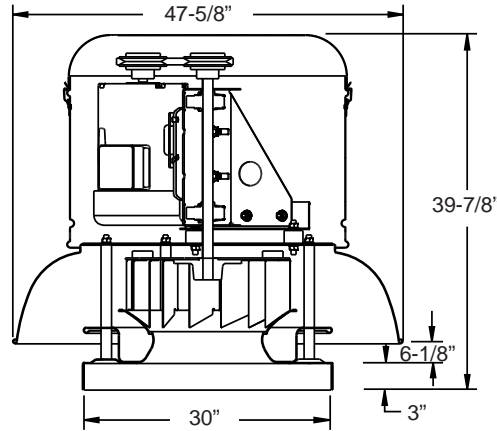
245 - 300 ACEB Data

245 ACEB

Wheel Diameter - 24.5"
Tip Speed (FPM) - 6.4 x RPM
Maximum RPM - 885
Maximum BHP - 3.0 x (RPM/1000)³
Maximum Motor Frame - 182T
Approx. Ship Wt. (Less Motor) - 240 lbs.
Roof Curb - RCG, RCA 28
Roof Opening - 25-1/2" Sq.

Material Gauges

Top Cap Lid - .063
Top Cap Cylinder - .040
Baffle - .080
Base - .080

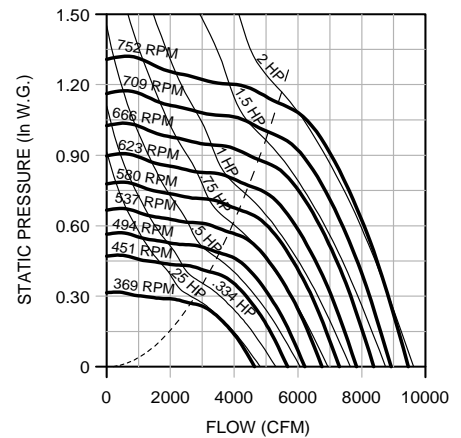
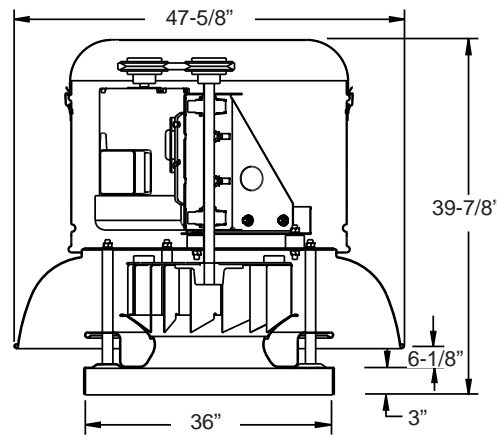


270 ACEB

Wheel Diameter - 27"
Tip Speed (FPM) - 7.1 x RPM
Maximum RPM - 752
Maximum BHP - 4.9 x (RPM/1000)³
Maximum Motor Frame - 182T
Approx. Ship Wt. (Less Motor) - 260 lbs.
Roof Curb - RCG, RCA 34
Roof Opening - 31-1/2" Sq.

Material Gauges

Top Cap Lid - .063
Top Cap Cylinder - .040
Baffle - .080
Base - .080

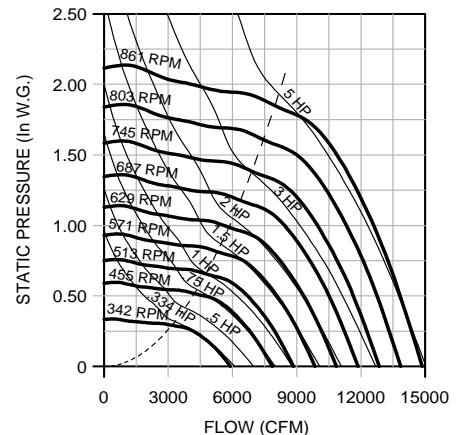
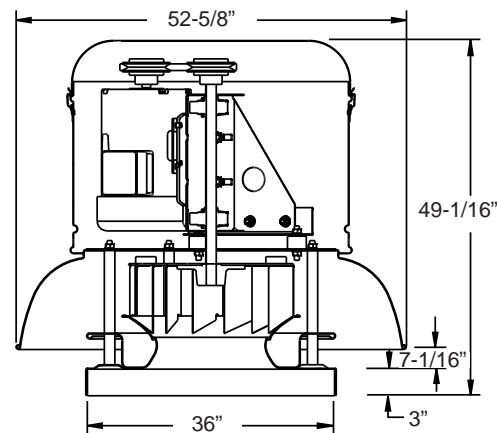


300 ACEB

Wheel Diameter - 30"
Tip Speed (FPM) - 7.9 x RPM
Maximum RPM (Standard Wheel) - 837
Maximum RPM (Reinforced Wheel) - 861
Maximum BHP - 8.3 x (RPM/1000)³
Maximum Motor Frame - 184T
Approx. Ship Wt. (Less Motor) - 300 lbs.
Roof Curb - RCG, RCA 34
Roof Opening - 31-1/2" Sq.

Material Gauges

Top Cap Lid - .063
Top Cap Cylinder - .050
Baffle - .080
Base - .080



Performance certified is for Installation Type A: free inlet, free outlet. Power rating (BHP) does not include transmission losses. Performance ratings do not include the effects of appurtenances (accessories). The sound ratings shown are loudness values in fan sones at 5 ft. (1.5m) in a hemispherical free field calculated per AMCA Standard 301. Values shown are for Installation Type A: free inlet hemispherical sone levels. **Shaded area indicates reinforced wheel required.**

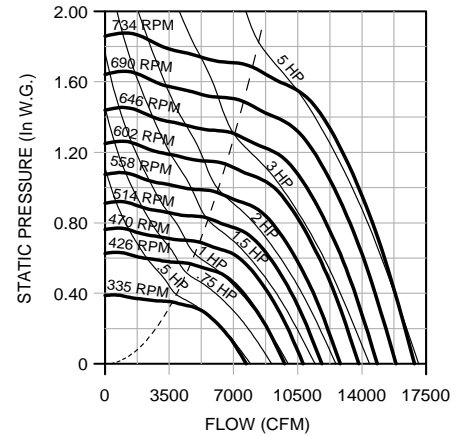
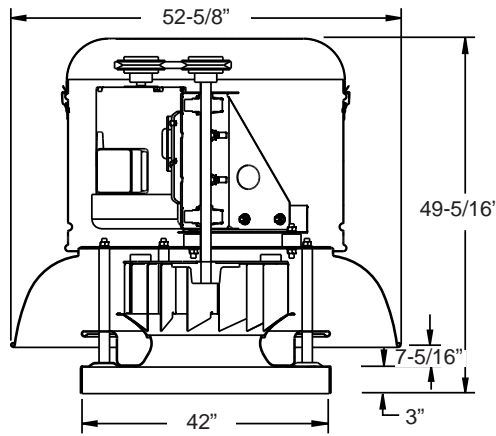
330 - 402 ACEB Data

330 ACEB

Wheel Diameter - 33"
Tip Speed (FPM) - 8.6 x RPM
Maximum RPM (Standard Wheel) - 716
Maximum RPM (Reinforced Wheel) - 734
Maximum BHP - 13.3 x (RPM/1000)³
Maximum Motor Frame - 184T
Approx. Ship Wt. (Less Motor) - 365 lbs.
Roof Curb - RCG, RCA 40
Roof Opening - 37-1/2" Sq.

Material Gauges

Top Cap Lid - .063
Top Cap Cylinder - .050
Baffle - .080
Base - .080

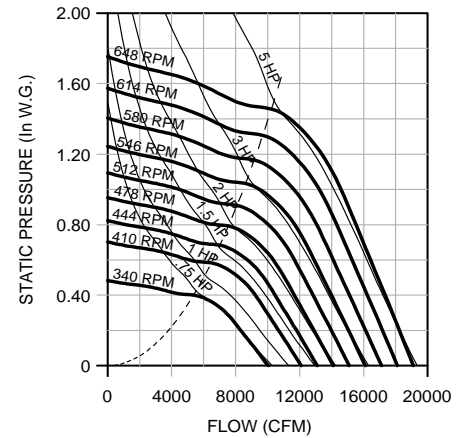
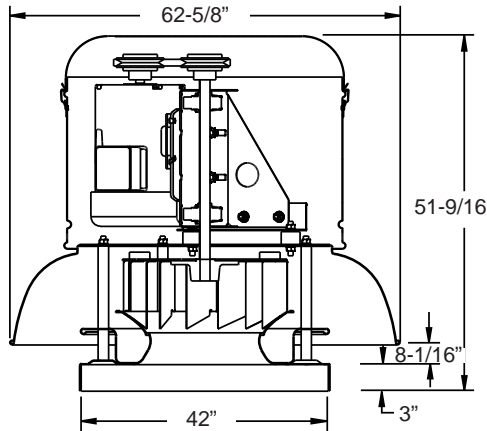


365 ACEB

Wheel Diameter - 36.5"
Tip Speed (FPM) - 9.6 x RPM
Maximum RPM (Standard Wheel) - 624
Maximum RPM (Reinforced Wheel) - 648
Maximum BHP - 19.4 x (RPM/1000)³
Maximum Motor Frame - 184T
Approx. Ship Wt. (Less Motor) - 380 lbs.
Roof Curb - RCG, RCA 40
Roof Opening - 37-1/2" Sq.

Material Gauges

Top Cap Lid - .063
Top Cap Cylinder - .050
Baffle - .080
Base - .080

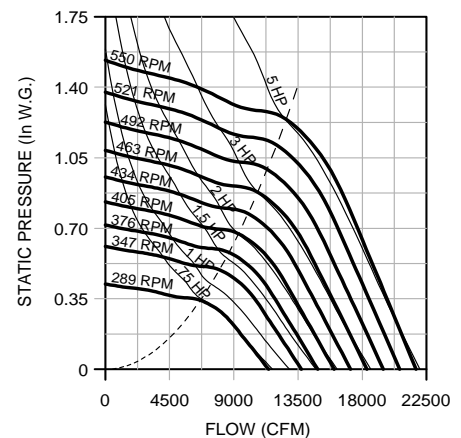
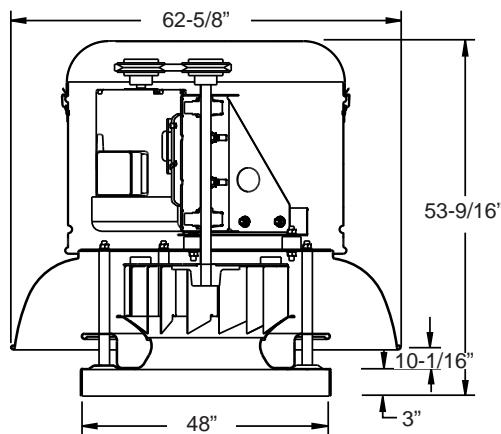


402 ACEB

Wheel Diameter - 40.25"
Tip Speed (FPM) - 10.5 x RPM
Maximum RPM (Standard Wheel) - 539
Maximum RPM (Reinforced Wheel) - 550
Maximum BHP - 31.7 x (RPM/1000)³
Maximum Motor Frame - 213T
Approx. Ship Wt. (Less Motor) - 440 lbs.
Roof Curb - RCG, RCA 46
Roof Opening - 43-1/2" Sq.

Material Gauges

Top Cap Lid - .063
Top Cap Cylinder - .050
Baffle - .080
Base - .080



Performance certified is for Installation Type A: free inlet, free outlet. Power rating (BHP) does not include transmission losses. Performance ratings do not include the effects of appurtenances (accessories). The sound ratings shown are loudness values in fan sones at 5 ft. (1.5m) in a hemispherical free field calculated per AMCA Standard 301. Values shown are for Installation Type A: free inlet hemispherical sone levels. **Shaded area indicates reinforced wheel required.**

330 ACEB

Catalog Number	Mtr. HP/ Drv. Wt.	Fan RPM	Tip Speed	CFM at Static Pressure																					
				0.00" SP		0.125" SP		0.250" SP		0.375" SP		0.500" SP		0.625" SP		0.750" SP		0.875" SP		1.000" SP		1.250" SP		1.500" SP	
				Sone	BHP	Sone	BHP	Sone	BHP	Sone	BHP	Sone	BHP	Sone	BHP	Sone	BHP	Sone	BHP	Sone	BHP	Sone	BHP	Sone	BHP
330C5B	1/2 23 lbs.	335	2894	7698		6953		5909																	
				7.2	.46	6.3	.49	5.5	.50																
330C6B	3/4 31 lbs.	385	3326	8847		8215		7437		6343															
				9.5	.69	8.7	.73	7.8	.75	7.1	.76														
330C7B	1 36 lbs.	425	3671	9766		9198		8551		7712		6479													
				11.6	.93	10.9	.97	9.8	1.00	9.1	1.02	8.5	1.00												
330C8B	1-1/2 38 lbs.	488	4216	11213		10723		10198		9577		8818		7831											
				15.2	1.41	14.8	1.46	13.5	1.50	12.7	1.53	12.0	1.55	11.3	1.54										
330C9B	2 50 lbs.	513	4432	11788		11323		10830		10268		9590		7490											
				16.7	1.64	16.4	1.69	15.1	1.74	14.3	1.77	13.6	1.79	12.9	1.80	12.2	1.73								
		538	4647	12362		11920		11456		10941		10330		9614		8717		6588							
330C10B	3 74 lbs.	578	4993	13281		12870		12444		11985		11463		10856		10159		9289		7299					
				19.9	2.35	19.8	2.40	18.7	2.46	17.7	2.50	17.0	2.54	16.4	2.56	15.8	2.57	15.2	2.56	14.6	2.30				
		618	5339	14200		13816		13422		13006		12548		12023		11433		10762		9935					
330C11B	5 98 lbs.	676	5840	15533		15182		14825		14456		14060		13628		13143		12607		12015		10444			
				26	3.76	26	3.82	25	3.89	24	3.95	23	4.00	22	4.04	22	4.07	21	4.10	20	4.12	19.3	4.04		
		734	6341	16866		16543		16216		15880		15530		15158		14753		14305		13818		12704		11107	
				30	4.81	30	4.88	29	4.95	28	5.02	27	5.08	26	5.13	26	5.18	25	5.21	24	5.24	23	5.27	22	5.14

365 ACEB

Catalog Number	Mtr. HP/ Drv. Wt.	Fan RPM	Tip Speed	CFM at Static Pressure																					
				0.00" SP		0.125" SP		0.250" SP		0.375" SP		0.500" SP		0.625" SP		0.750" SP		0.875" SP		1.000" SP		1.250" SP		1.500" SP	
				Sone	BHP	Sone	BHP	Sone	BHP	Sone	BHP	Sone	BHP	Sone	BHP	Sone	BHP	Sone	BHP	Sone	BHP	Sone	BHP	Sone	BHP
365C6B	3/4 31 lbs.	340	3248	10031		8971		7888		6233															
				9.1	.70	8.4	.74	7.5	.76	6.8	.74														
365C7B	1 36 lbs.	375	3583	11064		10106		9124		8060															
				11.2	.94	10.4	.99	9.4	1.00	8.7	1.02														
365C8B	1-1/2 38 lbs.	403	3850	11890		11000		10088		9168		7840													
				13.0	1.16	12.3	1.22	11.2	1.24	10.4	1.27	9.7	1.25												
		431	4118	12716		11885		11036		10184		9220		7455											
365C9B	2 50 lbs.	453	4328	13365		12575		11770		10957		10117		8900											
				16.2	1.65	15.8	1.72	14.5	1.75	13.7	1.77	13.0	1.8	12.3	1.77										
		475	4538	14014		13261		12496		11718		10942		10002		8400									
365C10B	3 74 lbs.	510	4873	15047		14346		13637		12913		12194		11447		10469		8824							
				20	2.36	19.9	2.43	18.7	2.49	17.7	2.51	17.0	2.54	16.4	2.57	15.7	2.56	15.1	2.46						
		545	5207	16079		15424		14762		14089		13411		12739		12004		11012		9415					
365C11B	5 98 lbs.	597	5704	17613		17016		16414		15804		15185		14568		13954		13295		12476					
				25	3.78	25	3.87	25	3.95	23	4.00	22	4.03	22	4.05	21	4.09	21	4.13	20	4.11				
		648	6192	19118		18567		18014		17456		16889		16318		15751		15186		14589		12987			
				29	4.83	29	4.93	28	5.02	27	5.09	26	5.13	25	5.16	25	5.19	24	5.23	24	5.27	22	5.21		

402 ACEB

Catalog Number	Mtr. HP/ Drv. Wt.	Fan RPM	Tip Speed	CFM at Static Pressure																					
				0.00" SP		0.125" SP		0.250" SP		0.375" SP		0.500" SP		0.625" SP		0.750" SP		0.875" SP		1.000" SP		1.250" SP		1.500" SP	
				Sone	BHP	Sone	BHP	Sone	BHP	Sone	BHP	Sone	BHP	Sone	BHP	Sone	BHP	Sone	BHP	Sone	BHP	Sone	BHP	Sone	BHP
402C6B	3/4 31 lbs.	289	3045	11434		10053		8617																	
				8.2	.70	7.3	.74	6.5	.76																
402C7B	1 36 lbs.	319	3361	12621		11375		10102		8433															
				9.9	.94	9.1	.99	8.2	1.01	7.5	1.01														
402C8B	1-1/2 38 lbs.	343	3614	13570		12414		11229		9959															
				11.5	1.17	10.8	1.23	9.7	1.25	9.0	1.28														
		366	3856	14480		13398		12289		11171		9563													
402C9B	2 50 lbs.	384	4046	15192		14162		13108		12052		10794													
				14.4	1.64	13.9	1.71	12.7	1.75	11.9	1.77	11.2	1.78												
		403	4246	15944		14963		13962		12955		11884		10197											
402C10B	3 74 lbs.	433	4562	17131		16219		15292		14350		13412		12288		10416									
				18.0	2.35	17.7	2.43	16.5	2.49	15.6	2.51	14.9	2.55	14.2	2.56	13.6	2.48								
		463	4878	18318		17465		16603		15723		14849		13939		12753									
402C11B	5 98 lbs.	507	5342	20058		19281		18496		17699		16893		16098		15260		14217		12665					
				24	3.77	24	3.87	23	3.95	22	4.01	21	4.03	20	4.07	19.5	4.11	18.9	4.10	18.3	4.01				
		550	5795	21760		21043		20322		19592		18851		18111		17377		16604		15680					
				27	4.81	27	4.92	26	5.02	25	5.09	24	5.13	24	5.15	23	5.20	22	5.25	22	5.25				

Performance certified is for Installation Type A: free inlet, free outlet. Power rating (BHP) does not include transmission losses. Performance ratings do not include the effects of appurtenances (accessories). The sound ratings shown are loudness values in fan sones at 5 ft. (1.5m) in a hemispherical free field calculated per AMCA Standard 301. Values shown are for Installation Type A: free inlet hemispherical sone levels. **Shaded area indicates reinforced wheel required.**

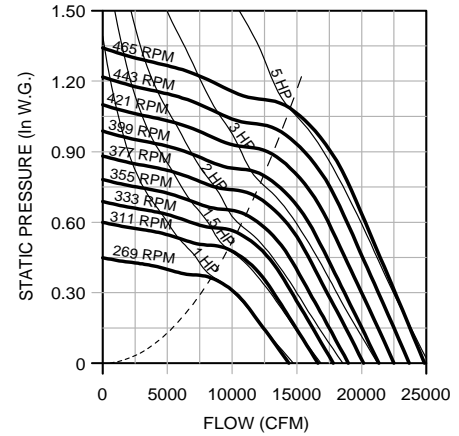
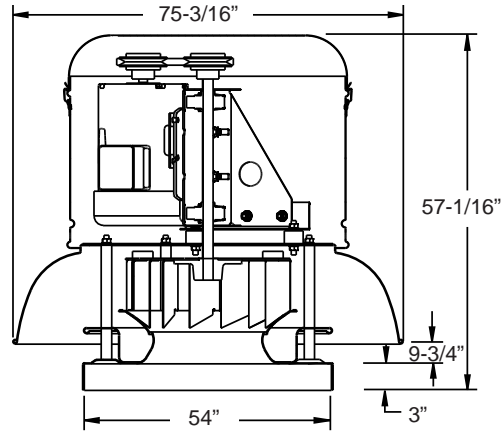
445 - 540 ACEB Data

445 ACEB

Wheel Diameter - 44.5"
Tip Speed (FPM) - 11.7 x RPM
Maximum RPM (Standard Wheel) - 463
Maximum RPM (Reinforced Wheel) - 465
Maximum BHP - 52.3 x (RPM/1000)³
Maximum Motor Frame - 213T
Approx. Ship Wt. (Less Motor) - 500 lbs.
Roof Curb - RCG, RCA 52
Roof Opening - 49-1/2" Sq.

Material Gauges

Top Cap Lid - .063
Top Cap Cylinder - .050
Baffle - .080
Base - .080

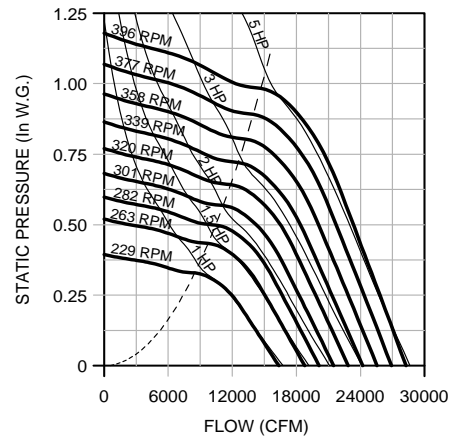
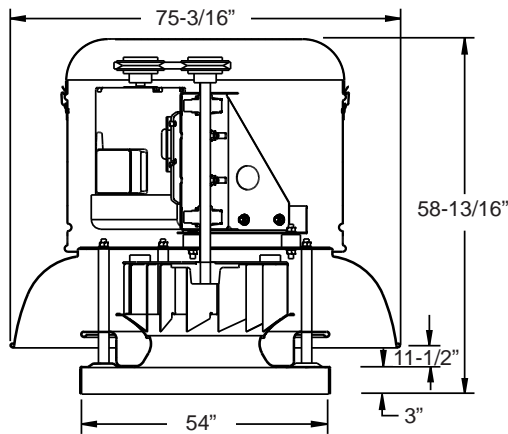


490 ACEB

Wheel Diameter - 49"
Tip Speed (FPM) - 12.8 x RPM
Maximum RPM (Standard Wheel) - 360
Maximum RPM (Reinforced Wheel) - 396
Maximum BHP - 84.6 x (RPM/1000)³
Maximum Motor Frame - 213T
Approx. Ship Wt. (Less Motor) - 650 lbs.
Roof Curb - RCG, RCA 52
Roof Opening - 49-1/2" Sq.

Material Gauges

Top Cap Lid - .063
Top Cap Cylinder - .050
Baffle - .080
Base - .080

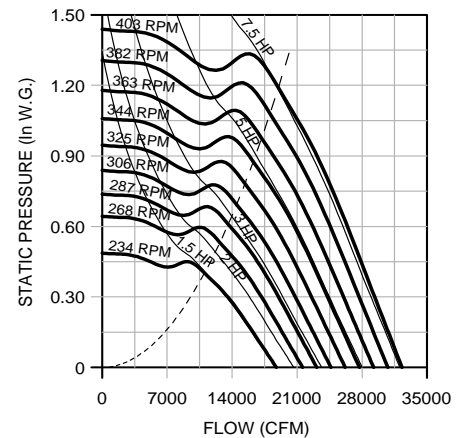
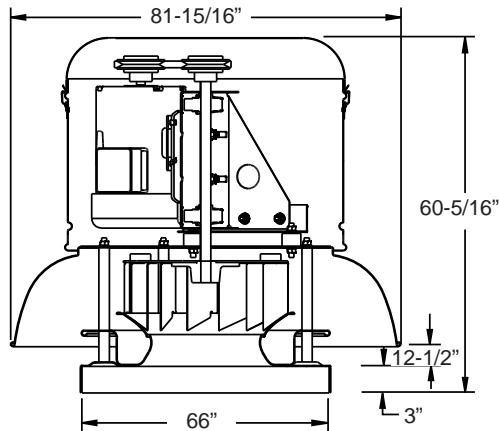


540 ACEB

Wheel Diameter - 54"
Tip Speed (FPM) - 14.1 x RPM
Maximum RPM (Standard Wheel) - 347
Maximum RPM (Reinforced Wheel) - 401
Maximum BHP - 120.6 x (RPM/1000)³
Maximum Motor Frame - 215T
Approx. Ship Wt. (Less Motor) - 858 lbs.
Roof Curb - RCG, RCA 64
Roof Opening - 61-1/2" Sq.

Material Gauges

Top Cap Lid - .063
Top Cap Cylinder - .050
Baffle - .080
Base - .080



Performance certified is for Installation Type A: free inlet, free outlet. Power rating (BHP) does not include transmission losses. Performance ratings do not include the effects of appurtenances (accessories). The sound ratings shown are loudness values in fan sones at 5 ft. (1.5m) in a hemispherical free field calculated per AMCA Standard 301. Values shown are for Installation Type A: free inlet hemispherical sone levels. **Shaded area indicates reinforced wheel required.**

445 ACEB

Catalog Number	Mtr. HP/ Drv. Wt.	Fan RPM	Tip Speed	CFM at Static Pressure																					
				0.00" SP		0.125" SP		0.250" SP		0.375" SP		0.500" SP		0.625" SP		0.750" SP		0.875" SP		1.000" SP		1.250" SP		1.500" SP	
				Sone	BHP	Sone	BHP	Sone	BHP	Sone	BHP	Sone	BHP	Sone	BHP	Sone	BHP	Sone	BHP	Sone	BHP	Sone	BHP	Sone	BHP
445C7B	1 36 lbs.	269	3133	14382		12746		11064																	
				8.8	.93	8.0	.99	7.1	1.01																
445C8B	1-1/2 38 lbs.	289	3366	15451		13933		12382		10364															
				10.1	1.15	9.3	1.22	8.4	1.25	7.7	1.24														
445C9B	2 50 lbs.	325	3786	17376		16030		14650		13245		11044													
				12.8	1.64	12.2	1.72	11.0	1.76	10.2	1.79	9.5	1.75												
445C10B	3 74 lbs.	366	4263	19568		18376		17159		15933		14639		12643											
				16.1	2.34	15.7	2.44	14.4	2.49	13.6	2.52	12.9	2.56	12.1	2.50										
445C11B	5 98 lbs.	428	4986	22883		21865		20836		19786		18739		17676		16380		14389							
				21	3.75	21	3.86	20	3.95	18.9	4.00	18.2	4.03	17.6	4.08	16.9	4.09	16.3	3.98						
				24861		23925		22981		22022		21052		20092		19100		17912		16211					
				25	4.81	25	4.93	24	5.04	23	5.11	22	5.14	21	5.18	20	5.24	19.7	5.25	19.1	5.14				

490 ACEB

Catalog Number	Mtr. HP/ Drv. Wt.	Fan RPM	Tip Speed	CFM at Static Pressure																					
				0.00" SP		0.125" SP		0.250" SP		0.375" SP		0.500" SP		0.625" SP		0.750" SP		0.875" SP		1.000" SP		1.250" SP		1.500" SP	
				Sone	BHP	Sone	BHP	Sone	BHP	Sone	BHP	Sone	BHP	Sone	BHP	Sone	BHP	Sone	BHP	Sone	BHP	Sone	BHP	Sone	BHP
490C7B	1 36 lbs.	229	2937	16346		14223		11950																	
				7.8	.93	6.9	.99	6.2	1.02																
490C8B	1-1/2 38 lbs.	246	3155	17559		15590		13568		9724															
				9.0	1.15	8.1	1.22	7.3	1.25	6.6	1.17														
490C9B	2 50 lbs.	277	3553	18773		16935		15057		12633															
				10.4	1.41	9.6	1.49	8.6	1.52	7.9	1.52														
490C10B	3 74 lbs.	312	4002	19772		18031		16246		14273															
				11.5	1.64	10.8	1.73	9.7	1.77	8.9	1.79														
490C11B	5 98 lbs.	365	4682	20700		19038		17333		15574		12543													
				12.6	1.89	11.9	1.98	10.8	2.02	10.0	2.06	9.2	1.99												
				22271		20729		19148		17566		15609													
				14.5	2.35	14.0	2.46	12.7	2.51	11.9	2.55	11.2	2.55												
				23770		22326		20853		19369		17806		15411											
				16.3	2.86	15.9	2.97	14.7	3.04	13.8	3.07	13.1	3.12	12.4	3.05										
				26054		24738		23404		22044		20695		19189		16912									
				19.3	3.76	19.0	3.89	17.8	3.98	16.8	4.02	16.1	4.07	15.5	4.11	14.8	4.02								
				28266		27055		25831		24583		23333		22080		20633		18518							
				22	4.80	22	4.95	21	5.06	19.9	5.12	19.2	5.16	18.5	5.22	17.8	5.25	17.2	5.14						

540 ACEB

Catalog Number	Mtr. HP/ Drv. Wt.	Fan RPM	Tip Speed	CFM at Static Pressure																					
				0.00" SP		0.125" SP		0.250" SP		0.375" SP		0.500" SP		0.625" SP		0.750" SP		0.875" SP		1.000" SP		1.250" SP		1.500" SP	
				Sone	BHP	Sone	BHP	Sone	BHP	Sone	BHP	Sone	BHP	Sone	BHP	Sone	BHP	Sone	BHP	Sone	BHP	Sone	BHP	Sone	BHP
540C8B	1-1/2 38 lbs.	234	3308	18852		16755		14603		11865															
				10.3	1.52	10.6	1.55	10.2	1.55	9.7	1.52														
540C9B	2 50 lbs.	258	3647	20786		18883		16967		14843															
				12.5	2.04	13.0	2.07	12.0	2.07	11.9	2.07														
540C10B	3 74 lbs.	277	3916	22317		20544		18769		16900		14598													
				14.3	2.53	14.8	2.55	13.4	2.57	13.7	2.56	13.1	2.53												
540C11B	5 98 lbs.	315	4453	23847		22189		20531		18828		16922		14490											
				16.0	3.08	16.4	3.11	15.6	3.13	15.3	3.13	14.9	3.12	14.3	3.05										
				25378		23820		22262		20686		19005		17002											
				17.8	3.72	18.2	3.75	17.7	3.77	16.8	3.77	16.8	3.77	16.1	3.74										
				26909		25439		23970		22494		20963		19267		17189									
				19.6	4.43	20	4.46	20	4.49	18.3	4.5	18.7	4.49	18.1	4.49	17.3	4.42								
				28359		26964		25570		24175		22747		21230		19481		17386							
				21	5.18	22	5.22	22	5.25	20	5.27	20	5.26	20	5.26	19.3	5.23	18.6	5.14						
540C12B	7-1/2 120 lbs.	369	5216	29728		28398		27068		25739		24391		22989		21457		19642		17587					
				23	5.97	24	6.01	24	6.05	23	6.07	22	6.06	22	6.06	21	6.05	20	5.99	19.9	5.89				
				31098		29827		28554		27284		26005		24691		23299		21732		19892					
				25	6.84	25	6.87	26	6.91	25	6.94	23	6.94	24	6.94	23	6.94	22	6.91	22	6.83				
				32468		31250		30031		28815		27594		26352		25059		23667		22069					
				27	7.78	27	7.82	28	7.86	27	7.89	25	7.90	25	7.90	25	7.90	25	7.90	24	7.84				

Performance certified is for Installation Type A: free inlet, free outlet. Power rating (BHP) does not include transmission losses. Performance ratings do not include the effects of appurtenances (accessories). The sound ratings shown are loudness values in fan sones at 5 ft. (1.5m) in a hemispherical free field calculated per AMCA Standard 301. Values shown are for Installation Type A: free inlet hemispherical sone levels. **Shaded area indicates reinforced wheel required.**

70 - 135 ACRUD-EC Data

Catalog Number	HP	Fan RPM	Tip Speed	Max Watts	CFM at Static Pressure																			
					0.00" SP	0.125" SP	0.250" SP	0.375" SP	0.500" SP	0.625" SP	0.750" SP	0.875" SP	1.000" SP	1.250" SP	1.500" SP									
					CFM	CFM	CFM	CFM	CFM	CFM	CFM	CFM	CFM	CFM	CFM									
70R17DEC	1/4	429	784	5	74																			
					0.2	5																		
		861	1581	12	149																			
					1.6	12																		
		1293	2369	25	223	140																		
					4.7	25	4.1	21																
		1725	3160	49	298	238	172	94																
					6.4	49	5.7	45	5.0	38	4.3	30												
90R17DEC	1/4	465	1095	7	195																			
					0.2	7																		
		885	2085	24	372	218																		
					3.4	24	2.5	20																
		1305	3074	62	548	456	345	190																
					8.6	62	7.7	58	6.9	53	5.9	41												
		1725	4064	132	725	659	583	500	405	289														
					12.8	132	12.1	128	11.4	124	10.7	117	9.9	107	9.0	90								
100R17DEC	1/4	468	1225	7	239																			
					0.2	7																		
		887	2322	28	454	305																		
					2.9	28	2.7	26																
		1306	3419	75	668	578	470																	
					7.7	75	7.6	74	7.4	70														
		1725	4516	163	882	817	744	664	572	470														
					11.5	163	11.5	162	11.4	159	11.3	154	10.9	147	10.5	137								
101R17DEC	1/4	468	1225	6	260																			
					0.2	6																		
		887	2322	23	494	392																		
					2.9	21	2.7	23																
		1306	3419	61	727	653	589	512	359															
					7.7	54	7.6	56	7.4	59	6.9	61	6.5	55										
		1725	4516	131	960	902	850	803	750	690	626	465												
					11.5	114	11.5	117	11.4	121	11.3	124	10.9	128	10.5	131	10.2	129	9.9	116				
120R17DEC	1/2	471	1479	12	484																			
					0.8	12																		
		889	2792	55	914	795	651																	
					4.9	50	4.8	54	4.1	55														
		1307	4106	156	1343	1264	1182	1093	992	879														
					11.5	141	11.5	146	11.2	152	10.7	155	10.1	156	9.5	155								
		1725	5419	346	1773	1713	1652	1591	1527	1459	1386	1307	1224											
					17.6	311	17.6	318	17.6	326	17.4	332	17.1	339	16.7	343	16.4	346	16.1	346	15.8	344		
135R17DEC	3/4	561	1982	31	845	607																		
					2.3	29	1.9	31																
		949	3354	118	1429	1303	1165	1006																
					7.4	106	7.4	112	6.9	117	6.3	118												
		1337	4725	311	2014	1925	1835	1740	1638	1526	1412	1284												
					15.1	276	15.1	285	15.1	294	14.7	301	14.2	307	13.5	309	13.1	311	12.7	309				
		1725	6096	653	2598	2529	2460	2390	2319	2245	2167	2085	1998	1820	1606									
					22	578	22	590	22	602	22	613	22	623	22	632	21	640	21	646	21	649	20	653

Performance certified is for Installation Type A: free inlet, free outlet. Performance ratings do not include the effects of appurtenances (accessories). The sound ratings shown are loudness values in fan sones at 5 ft. (1.5m) in a hemispherical free field calculated per AMCA Standard 301. Values shown are for Installation Type A: free inlet hemispherical sone levels.

Catalog Number	Mtr. HP	Fan RPM	Tip Speed	Max. Watts	CFM at Static Pressure																					
					0.00" SP		0.125" SP		0.250" SP		0.375" SP		0.500" SP		0.625" SP		0.750" SP		0.875" SP		1.000" SP		1.250" SP		1.500" SP	
					Sone	BHP	Sone	BHP	Sone	BHP	Sone	BHP	Sone	BHP	Sone	BHP	Sone	BHP	Sone	BHP	Sone	BHP	Sone	BHP	Sone	BHP
70R10DL	1/25	1160	2123	72	100		56																			
					3.4		3.6																			
70R10DM	1/25	1150	2105	75	145		76																			
					3.7		3.3																			
70R10DH	1/25	1050	1922	80	194		89																			
					5.0		4.9																			
70R15DL	1/20	1720	3112	86	149		117		94																	
					5.5		5.4		4.8																	
70R15DM	1/20	1680	3057	92	211		169		116																	
					6.6		5.9		5.1																	
70R15DH	1/20	1550	2837	92	274		210		151																	
					6.4		6.4		5.9																	
90R10DL	1/25	1130	2655	80	306		241		167																	
					4.6		4.2		4.1																	
90R10DM	1/25	1110	2596	85	391		299		184																	
					5.2		4.8		4.0																	
90R10DH	1/25	1050	2478	85	470		353		201																	
					4.4		4.3		4.1																	
90R15DL	1/8	1710	4047	95	462		422		383		340		297		246		168									
					8.4		8.1		7.9		7.5		7.1		6.7		6.2									
90R15DM	1/8	1680	3841	118	584		526		467		405		325		242		172									
					9.9		9.7		9.6		8.8		8.0		7.3		6.7									
90R15DH	1/8	1550	3658	132	696		616		533		456		384		263		166									
					7.8		7.8		7.3		7.1		7.0		6.9		6.8									
100R10DL	1/25	1100	2882	89	370		304		227																	
					6.1		5.9		5.7																	
100R10DM	1/25	1090	2817	90	435		358		256		124															
					6.1		5.8		5.5		5.2															
100R10DH	1/25	1050	2751	94	554		424		261																	
					6.6		6.9		6.4																	
100R15DL	1/8	1650	4362	130	549		509		468		424		376		320		254		177							
					10.0		9.7		9.4		9.0		8.7		8.8		8.9		9.1							
100R15DM	1/8	1640	4258	139	656		591		537		477		415		346		271		173							
					10.6		10.3		9.9		9.8		9.6		9.7		9.8		9.9							
100R15DH	1/8	1550	4061	169	816		727		641		554		449		372		240									
					9.6		9.5		9.4		9.6		9.9		10.2		10.5									
101R10D	1/25	1050	2749	-	585		504		399																	
					4.7	.03	4.6	.03	4.2	.04																
101R11D	1/4	1140	2985	-	635		560		479																	
					5.8	.04	5.7	.04	5.3	.05																
101R15D	1/8	1550	4058	-	864		808		754		697		628		484											
					9.9	.10	9.8	.10	9.7	.11	9.4	.11	9.0	.12	8.6	.11										
101R17D	1/6	1725	4516	-	961		911		862		813		760		695		569									
					11.5	.14	11.5	.14	11.4	.15	11.3	.15	10.9	.15	10.5	.16	10.2	.15								
120R10D	1/6	1075	3376	-	1095		998		892		779															
					7.6	.08	7.6	.09	7.1	.09	6.5	.09														
120R11D	1/6	1140	3581	-	1161		1070		971		868		733													
					8.7	.09	8.7	.10	8.3	.11	7.7	.11	7.1	.11												
120R13D	1/4*	1300	4084	-	1324		1244		1161		1072		981		867											
					11.4	.14	11.4	.15	11.1	.16	10.6	.16	10.0	.16	9.4	.16										
120R15D	1/3	1550	4869	-	1579		1512		1444		1372		1298		1223		1143		1047		872					
					14.9	.24	14.9	.25	14.9	.26	14.5	.26	14.2	.27	13.9	.27	13.5	.28	13.2	.28	13.0	.27				
120R17D	1/3	1725	5417	-	1757		1697		1637		1574		1509		1442		1374		1304		1227		946			
					17.6	.33	17.6	.34	17.6	.35	17.4	.36	17.1	.37	16.7	.37	16.4	.37	16.1	.38	15.8	.38	15.2	.36		
135R10D	1/6	1075	3795	-	1656		1550		1441		1324		1177													
					9.6	.14	9.6	.15	9.2	.16	8.6	.16	8.0	.16												
135R11D	1/6	1140	4029	-	1756		1657		1555		1447		1325		1140		1325									
					11.2	.16	11.2	.18	10.9	.18	10.3	.19	9.7	.19	9.1	.19	9.7	.19								
135R13D	1/2*	1300	4595	-	2002		1915		1827		1736		1640		1535		1640		1152							
					14.6	.24	14.6	.26	14.5	.27	14.0	.28	13.5	.28	12.8	.28	13.5	.28	11.8	.27						
135R15D	1/2*	1550	5478	-	2387		2315		2241		2167		2091		2012		2091		1841		1736		1358			
					19.0	.41	19.0	.43	19.0	.44	18.8	.46	18.4	.47	18.1	.47	18.4	.47	17.5	.48	17.1	.48	16.5	.45		
135R17D	3/4	1725	6089	-	2657		2592		2526		2459		2392		2323		2253		2180		2103		1922			
					23	.56	23	.58	23	.60	23	.62	23	.63	23	.64	22	.65	22	.65	22	.66	21	.67	21	.64

Performance certified is for Installation Type A: free inlet, free outlet. Performance ratings do not include the effects of appurtenances (accessories). Speed (RPM) shown for models 70 - 100 is nominal. Performance is based on actual speed of test. Speed (RPM) for all other models is constant and based on actual speed of test. The sound ratings shown are loudness values in fan sones at 5 ft. (1.5m) in a hemispherical free field calculated per AMCA Standard 301. Values shown are for Installation Type A: free inlet hemispherical sone levels. *Motor is a 2-speed 1300/1550 RPM motor.

150 ACRUDEC-HP/165-180 ACRUDEC-XP Data

150 ACRUDEC-HP

Catalog Number	HP	Fan RPM	Tip Speed	Max Watts	CFM at Static Pressure																					
					0.00" SP		0.125" SP		0.250" SP		0.375" SP		0.500" SP		0.625" SP		0.750" SP		0.875" SP		1.000" SP		1.250" SP		1.500" SP	
					Sone	Watts	Sone	Watts	Sone	Watts	Sone	Watts	Sone	Watts	Sone	Watts	Sone	Watts	Sone	Watts	Sone	Watts	Sone	Watts	Sone	Watts
150RH17DEC	1/2	543	2132	20	465		350																			
					1.4	17	1.4	20																		
		937	3679	78	903		819		724		610		471													
					5.0	65	5.0	71	5.0	76	4.8	78	4.4	77												
1331	5226	209	1282		1224		1164		1101		1032		953		871		783		677							
			9.6	171	9.6	179	9.6	186	9.5	195	9.7	201	9.8	205	9.7	208	9.1	209	8.7	206						
1725	6774	443	1662		1617		1572		1525		1478		1429		1377		1321		1260		1134		996			
			14.8	360	14.8	370	14.8	380	14.8	390	14.8	401	14.7	411	14.7	421	14.6	428	14.6	433	14.4	441	13.7	443		

165-180 ACRUDEC-XP

Catalog Number	HP	Fan RPM	Tip Speed	Max Watts	CFM at Static Pressure																					
					0.00" SP		0.125" SP		0.250" SP		0.375" SP		0.500" SP		0.625" SP		0.750" SP		0.875" SP		1.000" SP		1.250" SP		1.500" SP	
					Sone	Watts	Sone	Watts	Sone	Watts	Sone	Watts	Sone	Watts	Sone	Watts	Sone	Watts	Sone	Watts	Sone	Watts	Sone	Watts	Sone	Watts
165RX17DEC	1/2	528	2280	20	465		350																			
					2.0	17	1.4	20																		
		927	4004	92	816		756		692		621		548		451											
					6.1	66	5.7	73	5.3	80	5.0	86	4.8	92	4.6	90										
1326	5727	251	1167		1125		1083		1039		993		946		896		845		793		664					
			10.9	176	10.7	186	10.5	197	10.3	207	10.1	217	9.8	226	9.5	234	9.2	242	9.0	251	8.7	250				
1725	7451	522	1518		1486		1454		1421		1388		1354		1320		1284		1248		1171		1093			
			16.4	376	16.3	389	16.1	402	16.0	416	15.8	429	15.7	443	15.5	456	15.3	469	15.0	481	14.6	501	14.2	522		
180RX17DEC	3/4	555	2615	37	639		524		385																	
					2.6	28	2.1	34	1.8	37																
		945	4453	149	1089		1022		954		886		819		736		636		534							
					7.4	107	7.0	116	6.6	125	6.3	133	6.1	139	6.0	146	6.1	149	6.2	148						
1335	6291	400	1538		1491		1443		1395		1347		1298		1251		1205		1157		1038		897			
			13.3	280	13.0	293	12.6	307	12.3	320	12.0	332	11.6	344	11.4	354	11.3	364	11.2	372	11.1	390	11.5	400		
1725	8128	774	1987		1950		1914		1877		1840		1803		1766		1728		1691		1617		1545			
			20	589	19.7	607	19.4	624	19.1	641	18.8	658	18.5	675	18.2	691	18.1	707	17.9	722	17.7	750	17.6	774		

Performance certified is for Installation Type A: free inlet, free outlet. Performance ratings do not include the effects of appurtenances (accessories). The sound ratings shown are loudness values in fan sones at 5 ft. (1.5m) in a hemispherical free field calculated per AMCA Standard 301. Values shown are for Installation Type A: free inlet hemispherical sone levels.

Data ACRUD 150-180 / ACRUD-HP 150-195 / 165-195 ACRUD-XP

150-180 ACRUD

Cat. Number	Mtr. HP	Fan RPM	Tip Speed	CFM at Static Pressure																							
				0.000" SP		0.125" SP		0.250" SP		0.375" SP		0.500" SP		0.625" SP		0.750" SP		0.875" SP		1.000" SP		1.250" SP		1.500" SP			
				Sone	BHP	Sone	BHP	Sone	BHP	Sone	BHP	Sone	BHP	Sone	BHP	Sone	BHP	Sone	BHP	Sone	BHP	Sone	BHP	Sone	BHP	Sone	BHP
150R10D	1/3	1075	4225	2272 2154 2035 1910 1775 1601 1258																							
150R11D	1/3	1140	4477	2409 2298 2186 2071 1948 1808 1948																							
150R13D	3/4*	1300	5105	2747 2650 2553 2453 2351 2244 2351 1989 1791																							
150R15D		1550	6087	18.0 .41 18.0 .43 18.0 .45 17.6 .46 17.2 .47 16.6 .47 17.2 .47 15.6 .48 15.1 .48 3275 3194 3113 3030 2947 2862 2947 2685 2590 2365 1979																							
165R10D	1/3	1075	4644	2925 2728 2543 2359 2156 1981 1696																							
165R11D	3/4	1140	4924	3194 3041 2894 2753 2602 2428 2602 2050																							
180R10D	3/4	1075	5066	4065 3936 3805 3667 3518 3344 3518 2899 2646																							
180R11D	3/4	1140	5369	16.4 .61 16.4 .63 16.3 .65 15.6 .67 14.9 .69 14.4 .70 14.9 .69 13.6 .70 13.2 .69 4310 4189 4066 3939 3803 3653 3474 3047																							
				17.9 .73 17.9 .75 17.9 .77 17.2 .79 16.5 .81 15.9 .83 15.5 .84 15.2 .84 14.8 .83																							

150-195 ACRUD-HP

Cat. Number	Mtr. HP	Fan RPM	Tip Speed	CFM at Static Pressure																							
				0.125" SP		0.250" SP		0.375" SP		0.500" SP		0.625" SP		0.750" SP		0.875" SP		1.000" SP		1.250" SP		1.500" SP		1.750" SP			
				Sone	BHP	Sone	BHP	Sone	BHP	Sone	BHP	Sone	BHP	Sone	BHP	Sone	BHP	Sone	BHP	Sone	BHP	Sone	BHP	Sone	BHP	Sone	BHP
150RH10D	1/6	1075	4222	988 913 817 711 579																							
150RH11D	1/4	1140	4477	1055 987 904 804 696 566																							
150RH13D	1/3*	1300	5105	1220 1163 1099 1022 934 846 736 623																							
150RH15D		1550	6087	9.2 .2 9.2 .21 9.1 .22 9.3 .23 9.5 .23 9.1 .23 8.6 .23 8.1 .22 1475 1428 1379 1326 1266 1196 1122 1049 872 668																							
150RH17D	1/2	1725	6774	1651 1609 1566 1521 1473 1420 1359 1293 1161 1005 834																							
165RH10D	1/3	1075	4644	1830 1742 1633 1514 1375 1175																							
165RH11D	1/3	1140	4924	1950 1869 1772 1662 1546 1393 1194																							
165RH13D	3/4*	1300	5616	2244 2176 2100 2012 1915 1816 1704 1556																							
165RH15D		1550	6696	12.6 .38 12.6 .39 12.3 .41 11.9 .42 11.6 .43 11.6 .44 11.4 .44 11.5 .44 2699 2643 2585 2522 2451 2373 2292 2210 2027 1765 1428																							
180RH11D	1/2	1140	5372	2864 2762 2655 2537 2407 2261 2109 1944																							
195RH10D	3/4	1075	5488	3522 3402 3274 3127 2964 2791 2604 2392																							
195RH11D	3/4	1140	5820	3748 3637 3519 3388 3240 3083 2917 2738 2296																							
				16.4 .67 16.4 .7 16.2 .73 15.7 .75 15.3 .76 14.4 .77 13.8 .79 13.1 .8 11.9 .79																							

165-195 ACRUD-XP

Cat. Number	Mtr. HP	Fan RPM	Tip Speed	CFM at Static Pressure																							
				0.125" SP		0.250" SP		0.375" SP		0.500" SP		0.625" SP		0.750" SP		0.875" SP		1.000" SP		1.250" SP		1.500" SP		1.750" SP			
				Sone	BHP	Sone	BHP	Sone	BHP	Sone	BHP	Sone	BHP	Sone	BHP	Sone	BHP	Sone	BHP	Sone	BHP	Sone	BHP	Sone	BHP	Sone	BHP
165RX10D	1/6	1075	4644	884 833 784 718 648 550																							
165RX11D	1/4	1140	4924	945 895 850 795 728 662 547																							
165RX13D	1/3*	1300	5616	1093 1045 1005 965 918 859 802 741 512																							
165RX15D		1550	6696	10.3 .16 10.1 .17 9.9 .18 9.6 .19 9.4 .2 9.1 .21 8.8 .21 8.7 .22 8.4 .21 1321 1278 1241 1207 1174 1139 1099 1051 954 839 635																							
165RX17D	1/2	1725	7451	13.9 .27 13.8 .28 13.6 .3 13.4 .31 13.2 .32 12.9 .33 12.7 .34 12.5 .35 12.0 .36 11.7 .37 11.4 .36 1480 1441 1404 1372 1342 1312 1282 1248 1166 1078 988																							
180RX10D	1/3	1075	5066	16.3 .37 16.1 .39 16.0 .4 15.8 .41 15.7 .43 15.5 .44 15.3 .45 15.0 .46 14.6 .48 14.2 .49 13.9 .51																							
180RX11D	1/4	1140	5372	1160 1102 1041 984 930 857 741 614																							
180RX13D	1/2*	1300	6126	8.7 .14 8.4 .15 8.0 .16 7.8 .17 7.6 .17 7.6 .18 7.6 .19 7.7 .19 1236 1182 1125 1069 1018 964 884 773																							
180RX15D		1550	7304	9.6 .16 9.3 .17 9.0 .19 8.7 .19 8.5 .2 8.4 .21 8.4 .22 8.5 .23 1423 1377 1329 1278 1229 1183 1139 1089 918 698																							
180RX17D	3/4	1725	8129	12.3 .24 12.0 .25 11.7 .26 11.3 .28 11.1 .29 10.9 .3 10.8 .31 10.7 .32 10.7 .34 11.0 .32 1713 1675 1636 1595 1553 1511 1470 1430 1356 1266 1112																							
195RX10D	1/3	1075	5488	16.9 .39 16.5 .41 16.2 .43 15.8 .44 15.5 .46 15.2 .47 15.0 .49 14.9 .5 14.7 .52 14.5 .54 14.6 .57 1914 1880 1846 1810 1774 1736 1698 1660 1522 1448																							
195RX11D	1/3	1140	5820	19.7 .54 19.4 .55 19.1 .57 18.8 .59 18.5 .61 18.2 .63 18.1 .64 17.9 .66 17.7 .69 17.6 .71 17.4 .74																							
195RX13D	3/4*	1300	6637	1497 1429 1362 1296 1226 1150 1066 961																							
195RX15D		1550	7913	9.5 .21 9.1 .22 8.7 .23 8.3 .25 8.0 .26 7.8 .27 7.5 .28 7.2 .28 1596 1531 1468 1406 1342 1274 1200 1119 883																							
				10.6 .24 10.2 .26 9.7 .27 9.4 .29 9.1 .3 8.8 .31 8.5 .32 8.3 .33 7.7 .33 1837 1780 1723 1669 1614 1559 1501 1440 1307 1129																							
				13.7 .35 13.2 .37 12.8 .39 12.3 .41 11.9 .42 11.6 .44 11.3 .45 11.1 .46 10.7 .48 10.1 .5 2210 2162 2114 2067 2021 1975 1929 1883 1787 1684 1571																							
				18.8 .59 18.3 .61 17.8 .64 17.4 .66 17.0 .68 16.6 .7 16.2 .72 15.9 .74 15.3 .77 15.0 .79 14.7 .82																							

Performance certified for Installation Type A: free inlet, free outlet. Performance ratings do not include the effects of apurtenances (accessories). Speed (RPM) shown for model 165R10 is nominal. Performance is based on actual speed of test. Speed (RPM) for all other models is constant and based on actual speed of test. The sound ratings shown are loudness values in fan sones at 5 ft. (1.5m) in a hemispherical free field calculated per AMCA Standard 301. Values shown are for Installation Type A: free inlet hemispherical sone levels. *Motor is a 2-speed 1300/1550 RPM motor.

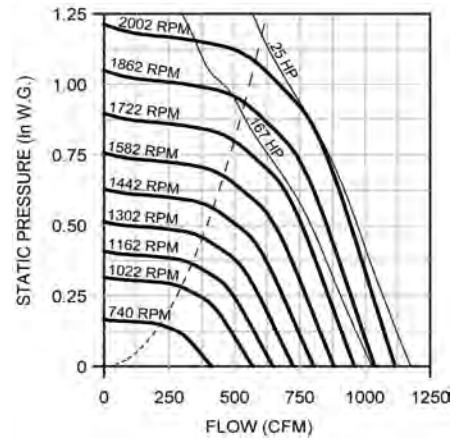
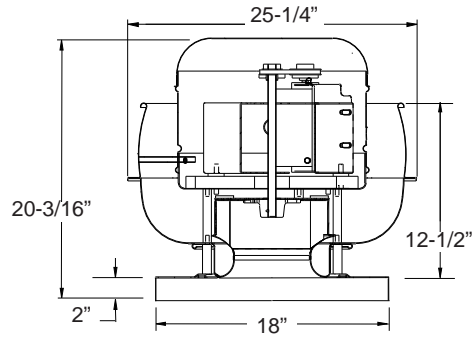
100-135 ACRUB/ACSC Data

100 ACRUB/ACSC

Wheel Diameter - 10"
Tip Speed (FPM) - 2.6 x RPM
Maximum RPM - 2002
Maximum BHP - .031 x (RPM/1000)³
Maximum Motor Frame - 48
Approx. Ship Wt. (Less Motor) - 30 lbs.
Roof Curb - RCG, RCA 16
Roof Opening - 13-1/2" Sq.

Material Gauges

Top Cap Lid - .050
Top Cap Cylinder - .040
Baffle - .080
Base - .063

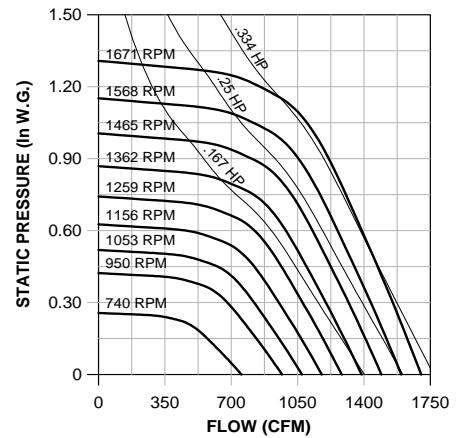
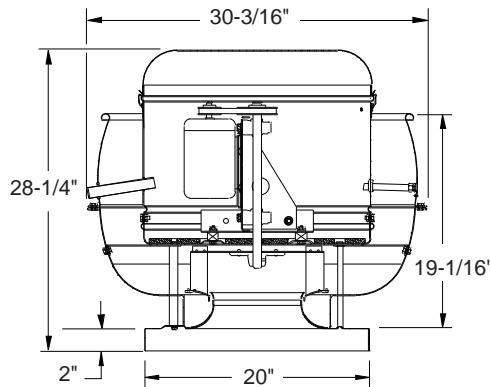


120 ACRUB/ACSC

Wheel Diameter - 12"
Tip Speed (FPM) - 3.1 x RPM
Maximum RPM - 1671
Maximum BHP - .072 x (RPM/1000)³
Maximum Motor Frame - 56
Approx. Ship Wt. (Less Motor) - 61 lbs.
Roof Curb - RCG, RCA-18
Roof Opening - 15-1/2 inches

Material Gauges

Top Cap Lid - .050
Top Cap Cylinder - .040
Baffle - .063
Base - .063

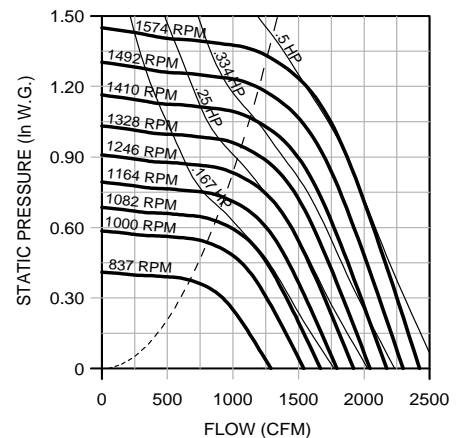
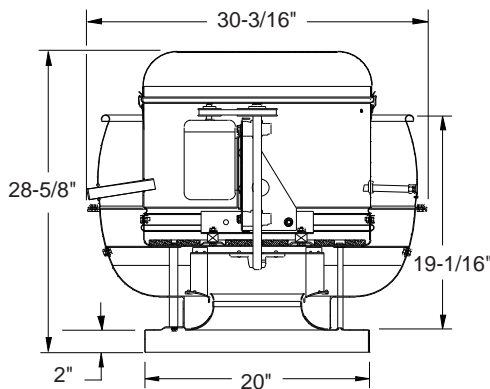


135 ACRUB/ACSC

Wheel Diameter - 13.5"
Tip Speed (FPM) - 3.5 x RPM
Maximum RPM - 1574
Maximum BHP - .13 x (RPM/1000)³
Maximum Motor Frame - 56
Approx. Ship Wt. (Less Motor) - 66 lbs.
Roof Curb - RCG, RCA - 18
Roof Opening - 15-1/2 inches

Material Gauges

Top Cap Lid - .050
Top Cap Cylinder - .040
Baffle - .063
Base - .063



Performance certified is for Installation Type A: free inlet, free outlet. Power rating (BHP) does not include transmission losses. Performance ratings do not include the effects of appurtenances (accessories). The sound ratings shown are loudness values in fan sones at 5 ft. (1.5m) in a hemispherical free field calculated per AMCA Standard 301. Values shown are for Installation Type A: free inlet hemispherical sone levels.

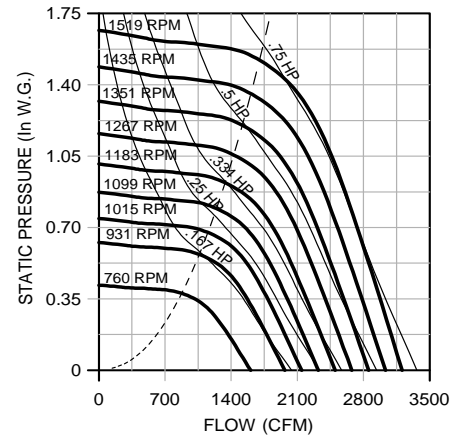
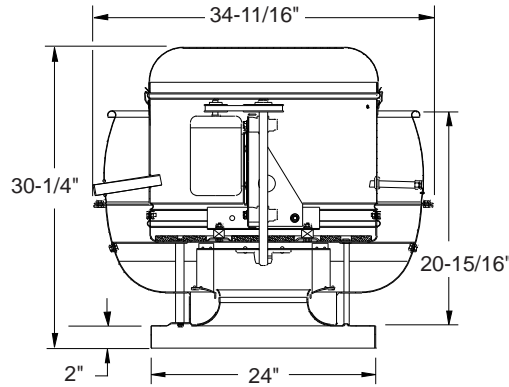
150 ACRUB / ACSC (Std, HP) Data

150 ACRUB / ACSC

- Wheel Diameter - 15"
- Tip Speed (FPM) - 3.9 x RPM
- Maximum RPM - 1520
- Maximum BHP - $.22 \times (\text{RPM}/1000)^3$
- Maximum Motor Frame - 56
- Approx. Ship Wt. (Less Motor) - 77 lbs.
- Roof Curb - RCG, RCA - 22
- Roof Opening - 19-1/2 inches

Material Gauges

- Top Cap Lid - .050
- Top Cap Cylinder - .040
- Baffle - .063
- Base - .063

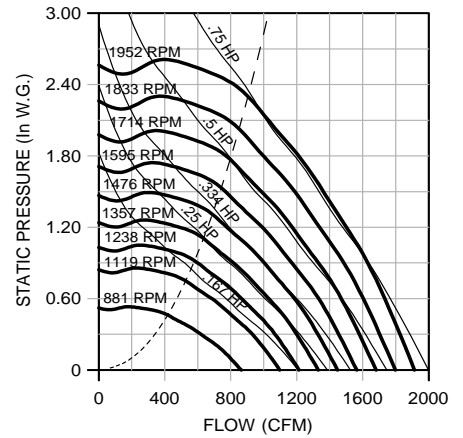
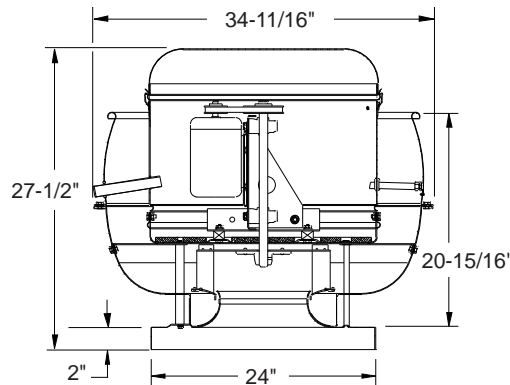


150 ACRUB-HP / ACSC-HP

- Wheel Diameter - 15"
- Tip Speed (FPM) - 3.9 x RPM
- Maximum RPM - 1952
- Maximum BHP - $.10 \times (\text{RPM}/1000)^3$
- Maximum Motor Frame - 143T
- Approx. Ship Wt. (Less Motor) - 77 lbs.
- Roof Curb - RCG, RCA - 22
- Roof Opening - 19-1/2 inches

Material Gauges

- Top Cap Lid - .050
- Top Cap Cylinder - .040
- Baffle - .063
- Base - .063



Performance certified is for Installation Type A: free inlet, free outlet. Power rating (BHP) does not include transmission losses. Performance ratings do not include the effects of appurtenances (accessories). The sound ratings shown are loudness values in fan zones at 5 ft. (1.5m) in a hemispherical free field calculated per AMCA Standard 301. Values shown are for Installation Type A: free inlet hemispherical zone levels.

150 ACRUB / ACSC

Catalog Number	Mtr. HP/ Drv. Wt.	Fan RPM	Tip Speed	CFM at Static Pressure																					
				0.000" SP		0.125" SP		0.250" SP		0.375" SP		0.500" SP		0.625" SP		0.750" SP		0.875" SP		1.000" SP		1.250" SP		1.500" SP	
				Sone	BHP	Sone	BHP	Sone	BHP	Sone	BHP	Sone	BHP	Sone	BHP	Sone	BHP	Sone	BHP	Sone	BHP	Sone	BHP	Sone	BHP
150R2B	1/6	760	2984	1606		1439		1254		889															
				6.0	.08	5.9	.09	5.3	.10	4.7	.09														
150SC2B	15 lbs.	832	3267	1758		1606		1444		1238															
				7.1	.11	7.0	.12	6.6	.12	5.9	.13														
				1910		1770		1625		1462		1193													
150R3B	1/4	972	3817	2054		1924		1790		1647		1468													
				9.7	.17	9.7	.19	9.4	.20	8.9	.20	8.3	.20												
150SC3B	15 lbs.	1040	4084	2198		2076		1952		1822		1677		1469											
				11.3	.21	11.3	.22	11.1	.24	10.5	.24	9.9	.25	9.4	.25										
150R4B	1/3	1149	4512	2428		2318		2207		2093		1971		1835		1648									
				14.1	.28	14.1	.30	14.0	.31	13.6	.32	13.0	.33	12.4	.33	11.8	.33								
150R5B	1/2	1235	4849	2610		2508		2405		2299		2190		2074		1940		1756							
				16.6	.35	16.6	.37	16.5	.39	16.1	.40	15.7	.40	15.0	.41	14.4	.41	13.8	.41						
				2789		2694		2598		2500		2400		2295		2183		2052		1877					
150SC5B	23 lbs.	1320	5183	18.4		.43		18.4		.45		18.4		.47		18.0		.48		17.6		.49			
				17.1	.50	16.5	.50	16.0	.51	15.7	.51	15.7	.51	15.7	.51	15.7	.51	15.7	.51	15.7	.51	15.7	.51	15.7	.51
150R6B	3/4	1420	5576	3001		2912		2823		2733		2641		2546		2447		2342		2221		1834			
				20	.53	20	.55	20	.58	20	.59	19.8	.61	19.4	.61	19.0	.62	18.6	.62	18.3	.63	17.6	.61		
150SC6B	31 lbs.	1519	5965	3210		3127		3044		2960		2875		2788		2698		2605		2506		2260			
				23	.65	23	.67	23	.70	23	.72	22	.73	22	.75	22	.75	22	.75	21	.76	21	.76	20	.77

150 ACRUB-HP / ACSC-HP

Catalog Number	Mtr. HP/ Drv. Wt.	Fan RPM	Tip Speed	CFM at Static Pressure																					
				0.250" SP		0.375" SP		0.500" SP		0.750" SP		1.000" SP		1.250" SP		1.500" SP		1.750" SP		2.000" SP		2.250" SP		2.500" SP	
				Sone	BHP	Sone	BHP	Sone	BHP	Sone	BHP	Sone	BHP	Sone	BHP	Sone	BHP	Sone	BHP	Sone	BHP	Sone	BHP	Sone	BHP
150RH2B	1/6	881	3459	672		536		339																	
				4.4	.07	4.1	.07	3.7	.06																
150SCH2B	15 lbs.	1162	4563	1012		932		835		606															
				7.4	.15	7.5	.16	7.6	.16	6.8	.16														
150RH3B	1/4	1249	4904	1108		1039		954		763		491													
				8.5	.19	8.6	.20	8.7	.20	8.2	.20	7.3	.18												
150SCH3B	15 lbs.	1336	5246	1202		1141		1069		899		689													
				9.6	.23	9.6	.24	9.8	.24	9.8	.25	8.7	.24												
150RH4B	1/3	1407	5525	1277		1221		1158		1000		818		587											
				10.6	.26	10.4	.27	10.6	.28	10.9	.29	10.0	.29	9.1	.27										
150SCH4B	19 lbs.	1478	5804	1352		1300		1242		1098		940		743											
				11.4	.30	11.3	.31	11.3	.32	11.6	.34	11.1	.33	10.2	.33										
150RH5B	1/2	1587	6232	1466		1419		1368		1245		1102		940		753									
				12.9	.37	12.8	.38	12.8	.39	12.8	.41	12.9	.42	12.0	.41	11.3	.40								
150SCH5B	23 lbs.	1696	6660	1579		1536		1489		1384		1253		1118		952		775							
				14.4	.45	14.4	.46	14.3	.47	14.3	.49	14.2	.51	13.9	.50	13.2	.50	12.6	.48						
150RH6B	3/4	1824	7162	1711		1671		1629		1538		1427		1301		1174		1014		852					
				16.2	.56	16.2	.57	16.2	.58	16.2	.60	16.2	.62	16.1	.63	15.6	.63	15.1	.62	14.7	.60				
150SCH6B	31 lbs.	1952	7665	1842		1805		1766		1685		1591		1477		1361		1239		1087		938			
				18.5	.68	18.5	.69	18.5	.71	18.4	.73	18.3	.75	18.3	.77	18.3	.77	17.8	.77	17.4	.76	17.1	.74		

Performance certified is for Installation Type A: free inlet, free outlet. Power rating (BHP) does not include transmission losses. Performance ratings do not include the effects of appurtenances (accessories). The sound ratings shown are loudness values in fan sones at 5 ft. (1.5m) in a hemispherical free field calculated per AMCA Standard 301. Values shown are for Installation Type A: free inlet hemispherical sone levels.

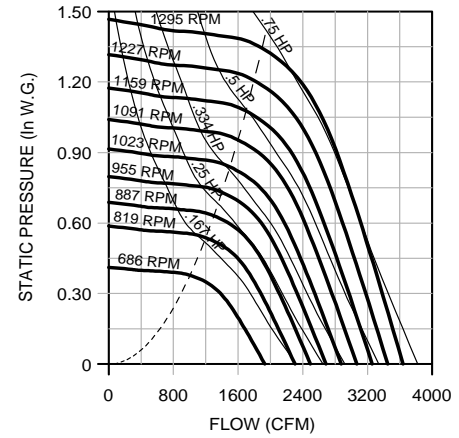
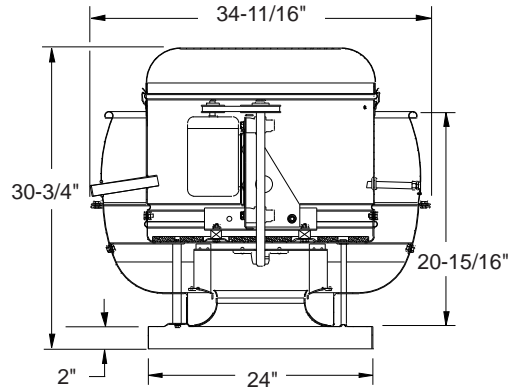
165 ACRUB / ACSC (Std, HP, XP) Data

165 ACRUB / ACSC

Wheel Diameter - 16.5 inches
Tip Speed (FPM) - 4.3 x RPM
Maximum RPM - 1295
Maximum BHP - .35 x (RPM/1000)³
Maximum Motor Frame - 56
Approx. Ship Wt. (Less Motor) - 83 lbs.
Roof Curb - RCG, RCA - 22
Roof Opening - 19-1/2 inches

Material Gauges

Top Cap Lid - .050
Top Cap Cylinder - .040
Baffle - .063
Base - .063

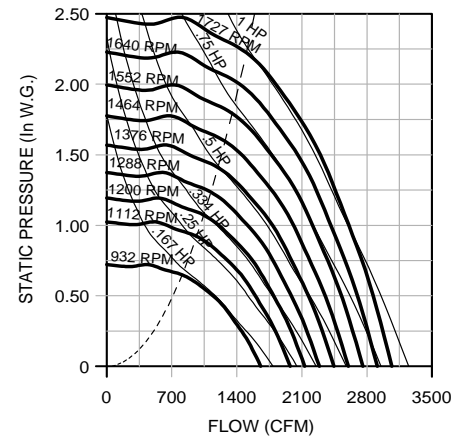
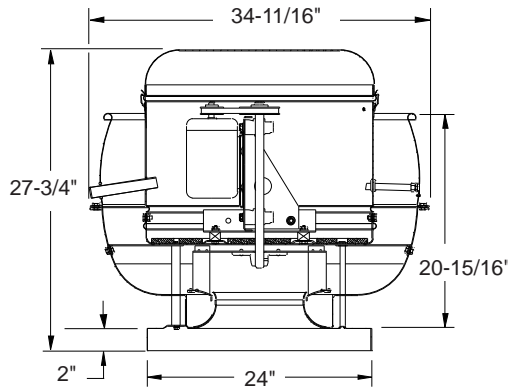


165 ACRUB-HP / ACSC-HP

Wheel Diameter - 16.5 inches
Tip Speed (FPM) - 4.3 x RPM
Maximum RPM - 1728
Maximum BHP - .20 x (RPM/1000)³
Maximum Motor Frame - 143T
Approx. Ship Wt. (Less Motor) - 83 lbs.
Roof Curb - RCG, RCA - 22
Roof Opening - 19-1/2 inches

Material Gauges

Top Cap Lid - .050
Top Cap Cylinder - .040
Baffle - .063
Base - .063

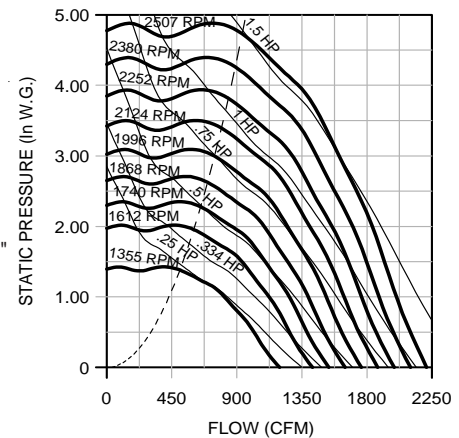
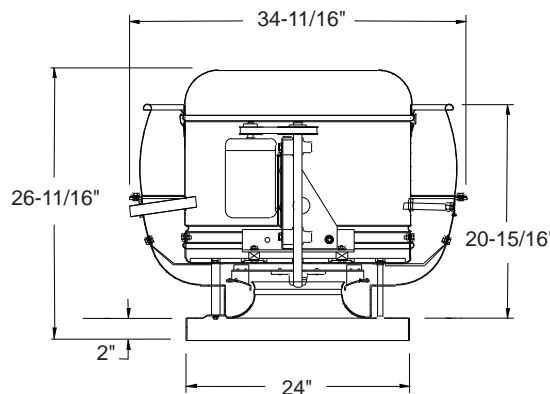


165 ACRUB-XP / ACSC-XP

Wheel Diameter - 16.5 inches
Tip Speed (FPM) - 4.3 x RPM
Maximum RPM - 2508
Maximum BHP - .19 x (RPM/1000)³
Maximum Motor Frame - 143T
Approx. Ship Wt. (Less Motor) - 83 lbs.
Roof Curb - RCG, RCA - 22
Roof Opening - 19-1/2 inches

Material Gauges

Top Cap Lid - .050
Top Cap Cylinder - .040
Baffle - .063
Base - .063



Performance certified is for Installation Type A: free inlet, free outlet. Power rating (BHP) does not include transmission losses. Performance ratings do not include the effects of appurtenances (accessories). The sound ratings shown are loudness values in fan sones at 5 ft. (1.5m) in a hemispherical free field calculated per AMCA Standard 301. Values shown are for Installation Type A: free inlet hemispherical sone levels.

Data ACRUB / ACSC (Std, HP, XP) 165

165 ACRUB/ACSC

Catalog Number	Mtr. HP/ Drv. Wt.	Fan RPM	Tip Speed	CFM at Static Pressure																					
				0.000" SP		0.125" SP		0.250" SP		0.375" SP		0.500" SP		0.625" SP		0.750" SP		0.875" SP		1.000" SP		1.250" SP		1.500" SP	
				Sone	BHP	Sone	BHP	Sone	BHP	Sone	BHP	Sone	BHP	Sone	BHP	Sone	BHP	Sone	BHP	Sone	BHP	Sone	BHP	Sone	BHP
165R2B	1/6	686	2963	1929		1725		1500		1024															
165SC2B	15 lbs.	771	3330	6.3	.10	6.2	.11	5.5	.11	4.8	.10														
				2168		1988		1797		1564															
165R3B	1/4	829	3581	2331		2164		1990		1796		1492													
165SC3B	15 lbs.	887	3831	8.7	.17	8.7	.19	8.3	.20	7.7	.20	7.1	.20												
				2494		2338		2177		2004		1792		1337											
165R4B	1/3	933	4030	2624		2475		2323		2163		1981		1706											
165SC4B	19 lbs.	980	4233	11.1	.24	11.1	.26	10.8	.28	10.3	.28	9.7	.29	9.1	.29										
				2756		2615		2471		2320		2157		1950		1550									
165R5B	1/2	1052	4544	2958		2827		2694		2556		2411		2249		2033		1608							
165SC5B	23 lbs.	1125	4859	14.3	.35	14.3	.37	14.1	.39	13.7	.40	13.2	.41	12.6	.41	12.1	.41	11.6	.38						
				3164		3041		2917		2790		2657		2517		2356		2138		1723					
165R6B	3/4	1210	5226	3403		3289		3174		3057		2936		2811		2677		2525		2323					
165SC6B	31 lbs.	1295	5594	19.2	.53	19.2	.56	19.2	.58	18.8	.60	18.5	.61	17.9	.62	17.2	.62	16.6	.63	16.2	.63				
				3642		3535		3428		3319		3208		3094		2975		2848		2705		2251			
				22	.65	22	.68	22	.70	21	.72	21	.74	21	.75	20	.76	19.4	.76	18.9	.77	18.1	.75		

165 ACRUB-HP / ACSC-HP

Catalog Number	Mtr. HP/ Drv. Wt.	Fan RPM	Tip Speed	CFM at Static Pressure																					
				0.250" SP		0.375" SP		0.500" SP		0.750" SP		1.000" SP		1.250" SP		1.500" SP		1.750" SP		2.000" SP		2.250" SP		2.500" SP	
				Sone	BHP	Sone	BHP	Sone	BHP	Sone	BHP	Sone	BHP	Sone	BHP	Sone	BHP	Sone	BHP	Sone	BHP	Sone	BHP	Sone	BHP
165RH2B	1/6	932	4025	1450		1314		1141																	
165SCH2B	15 lbs.			6.7	.16	6.5	.16	6.2	.16																
165RH3B	1/4	1072	4630	1736		1626		1507		1165															
165SCH3B	15 lbs.			8.7	.23	8.4	.24	8.3	.25	8.0	.24														
165RH4B	1/3	1128	4872	1846		1747		1635		1355															
165SCH4B	19 lbs.	1185	5118	9.5	.26	9.3	.28	9.1	.29	8.8	.29														
				1957		1866		1762		1527		1142													
165RH5B	1/2	1273	5498	2125		2046		1954		1752		1466													
165SCH5B	23 lbs.	1361	5879	12.1	.37	11.8	.39	11.5	.40	11.1	.41	11.2	.41												
				2291		2221		2140		1956		1742		1421											
165RH6B	3/4	1463	6319	2482		2419		2349		2184		2007		1771		1448									
165SCH6B	31 lbs.	1566	6764	15.1	.55	14.9	.57	14.7	.59	14.1	.61	13.7	.63	13.7	.63	13.8	.61								
				2673		2615		2553		2408		2246		2069		1819		1503							
165RH7B	1	1646	7110	2820		2767		2709		2577		2426		2268		2074		1809		1467					
165SCH7B	36 lbs.	1727	7460	18.2	.77	18.2	.79	18.0	.81	17.4	.85	16.9	.88	16.4	.90	16.2	.90	16.1	.88	16.2	.85				
				2969		2918		2865		2745		2604		2457		2297		2082		1817					
				19.6	.89	19.6	.91	19.5	.93	19.0	.97	18.5	1.01	18.1	1.03	17.8	1.04	17.6	1.03	17.4	1.02				

165 ACRUB-XP / ACSC-XP

Catalog Number	Mtr. HP/ Drv. Wt.	Fan RPM	Tip Speed	CFM at Static Pressure																							
				1.000" SP		1.250" SP		1.500" SP		1.750" SP		2.000" SP		2.250" SP		2.500" SP		3.000" SP		3.500" SP		4.000" SP		4.500" SP			
				Sone	BHP	Sone	BHP	Sone	BHP	Sone	BHP	Sone	BHP	Sone	BHP	Sone	BHP	Sone	BHP	Sone	BHP	Sone	BHP	Sone	BHP	Sone	BHP
165RX3B	1/4	1355	5853	814		637																					
165SCX3B	15 lbs.			9.4	.24	9.1	.25																				
165RX4B	1/3	1498	6470	988		889		728																			
165SCX4B	19 lbs.			11.7	.32	11.3	.33	10.9	.33																		
165RX5B	1/2	1609	6950	1121		1025		931		766		519															
165SCX5B	23 lbs.	1720	7429	13.3	.38	12.9	.40	12.5	.41	12.3	.41	12.0	.37														
				1243		1160		1072		981		818		614													
165RX6B	3/4	1850	7991	1376		1310		1229		1148		1065		926		753											
165SCX6B	31 lbs.	1979	8548	16.9	.56	16.5	.58	16.1	.59	15.7	.61	15.5	.62	15.3	.63	15.2	.61										
				1503		1448		1382		1304		1229		1152		1040		681									
165RX7B	1	2081	8989	1601		1551		1495		1427		1352		1281		1207		947									
165SCX7B	36 lbs.	2183	9129	21	.76	20	.79	20	.82	19.6	.84	19.1	.85	18.7	.87	18.6	.88	18.5	.89								
				1698		1651		1602		1544		1476		1405		1338		1170		876							
165RX8B	1-1/2	2345	10129	1851		1807		1764		1717		1663		1601		1534		1408		1238		964					
165SCX8B	38 lbs.	2507	10829	26	1.05	25	1.09	25	1.12	25	1.15	24	1.18	24	1.20	23	1.22	23	1.25	22	1.29	22	1.24				
				2003		1961		1921		1880		1836		1786		1729		1606		1488		1324		1068			
				29	1.26	29	1.30	28	1.34	28	1.37	27	1.41	27	1.44	27	1.46	26	1.50	25	1.54	25	1.57	25	1.53		

Performance certified is for Installation Type A: free inlet, free outlet. Power rating (BHP) does not include transmission losses. Performance ratings do not include the effects of appurtenances (accessories). The sound ratings shown are loudness values in fan sones at 5 ft. (1.5m) in a hemispherical free field calculated per AMCA Standard 301. Values shown are for Installation Type A: free inlet hemispherical sone levels.

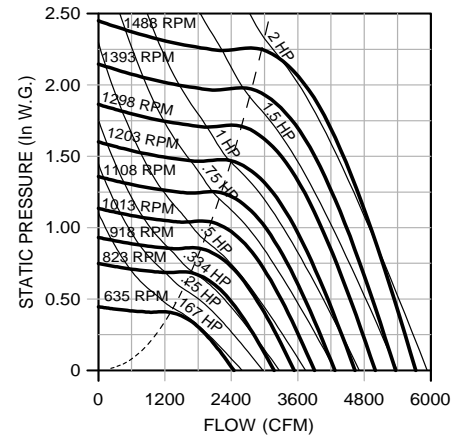
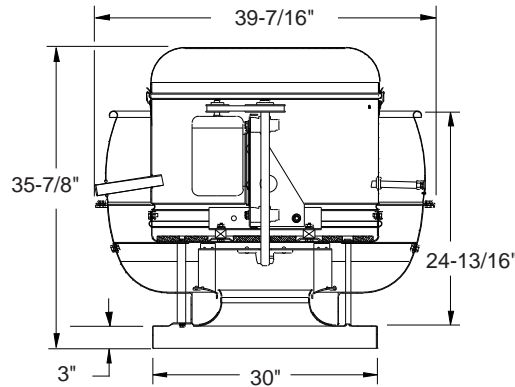
180 ACRUB / ACSC (Std, HP, XP) Data

180 ACRUB / ACSC

Wheel Diameter - 18 inches
Tip Speed (FPM) - $4.7 \times \text{RPM}$
Maximum RPM - 1546
Maximum BHP - $.57 \times (\text{RPM}/1000)^3$
Maximum Motor Frame - 145T
Approx. Ship Wt. (Less Motor) - 100 lbs.
Roof Curb - RCG, RCA - 28
Roof Opening - 25-1/2 inches

Material Gauges

Top Cap Lid - .050
Top Cap Cylinder - .040
Baffle - .080
Base - .080

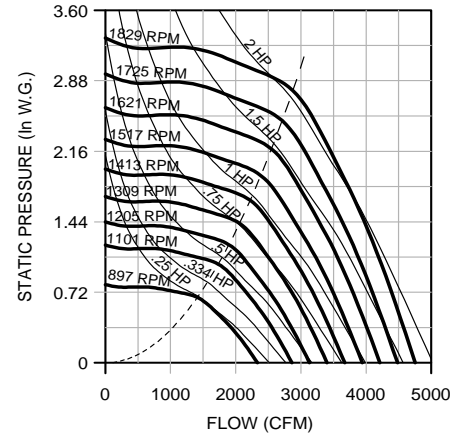
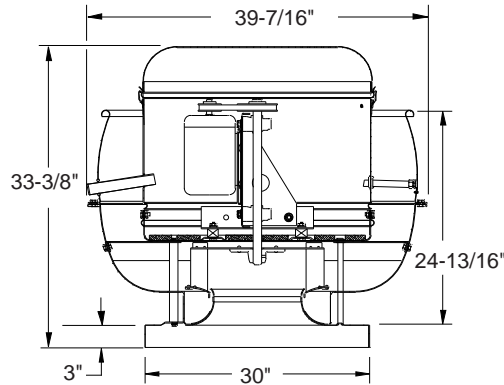


180 ACRUB-HP / ACSC-HP

Wheel Diameter - 18 inches
Tip Speed (FPM) - $4.7 \times \text{RPM}$
Maximum RPM - 1829
Maximum BHP - $.31 \times (\text{RPM}/1000)^3$
Maximum Motor Frame - 145T
Approx. Ship Wt. (Less Motor) - 100 lbs.
Roof Curb - RCG, RCA - 28
Roof Opening - 25-1/2 inches

Material Gauges

Top Cap Lid - .050
Top Cap Cylinder - .040
Baffle - .080
Base - .080

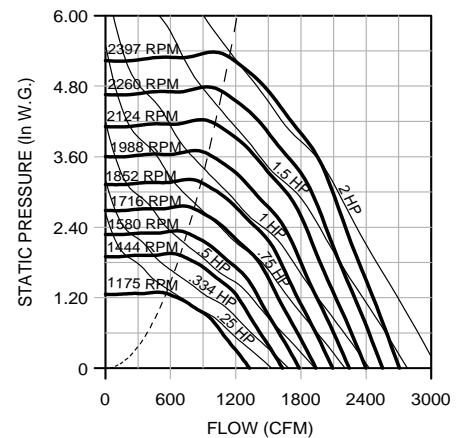
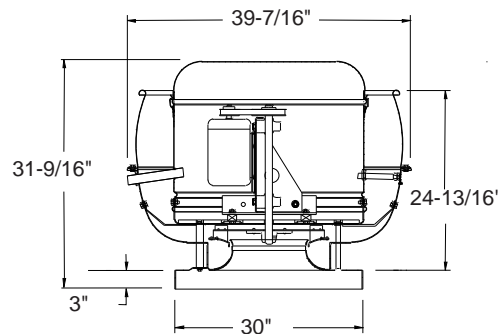


180 ACRUB-XP / ACSC-XP

Wheel Diameter - 18 inches
Tip Speed (FPM) - $4.7 \times \text{RPM}$
Maximum RPM - 2396
Maximum BHP - $.15 \times (\text{RPM}/1000)^3$
Maximum Motor Frame - 145T
Approx. Ship Wt. (Less Motor) - 100 lbs.
Roof Curb - RCG, RCA - 28
Roof Opening - 25-1/2 inches

Material Gauges

Top Cap Lid - .050
Top Cap Cylinder - .040
Baffle - .080
Base - .080



Performance certified is for Installation Type A: free inlet, free outlet. Power rating (BHP) does not include transmission losses. Performance ratings do not include the effects of appurtenances (accessories). The sound ratings shown are loudness values in fan sones at 5 ft. (1.5m) in a hemispherical free field calculated per AMCA Standard 301. Values shown are for Installation Type A: free inlet hemispherical sone levels.

180 ACRUB / ACSC

Catalog Number	Mtr. HP/ Drv. Wt.	Fan RPM	Tip Speed	CFM at Static Pressure																																											
				0.000" SP		0.125" SP		0.250" SP		0.375" SP		0.500" SP		0.625" SP		0.750" SP		0.875" SP		1.000" SP		1.250" SP		1.500" SP																							
				Sone	BHP	Sone	BHP	Sone	BHP	Sone	BHP	Sone	BHP	Sone	BHP	Sone	BHP	Sone	BHP	Sone	BHP	Sone	BHP	Sone	BHP	Sone	BHP																				
180R2B 180SC2B	1/6 15 lbs.	635	2992	2446		2214		1945		1541																																					
180R3B 180SC3B	1/4 15 lbs.	730	3440	2812		2612		2395		2138		1751																																			
180R4B 180SC4B	1/3 19 lbs.	807	3802	3109		2928		2738		2526		2272		1872																																	
180R5B 180SC5B	1/2 23 lbs.	927	4368	3571		3414		3253		3082		2893		2401																																	
180R6B 180SC6B	3/4 31 lbs.	1066	5023	4106		3970		3832		3690		3539		3376		3199		2997		2741																											
180R7B 180SC7B	1 36 lbs.	1176	5541	4530		4407		4283		4155		4023		3885		3738		3579		3405		2948																									
180R8B 180SC8B	1-1/2 38 lbs.	1264 1351	5956 6366	4869		4755		4639		4522		4402		4277		4146		4007		3860		3523		3029																							
180R9B 180SC9B	2 50 lbs.	1419 1488	6686 7012	5466		5364		5262		5158		5053		4946		4835		4721		4601		4345		4054																							
				24		1.56		24		1.59		24		1.62		24		1.65		24		1.68		23		1.70		23		1.73		22		1.75		22		1.77		21		1.80		20		1.81	
				26		1.80		26		1.83		26		1.86		26		1.89		26		1.92		25		1.95		25		1.98		24		2.00		24		2.02		23		2.06		22		2.08	

180 ACRUB-HP / ACSC-HP

Catalog Number	Mtr. HP/ Drv. Wt.	Fan RPM	Tip Speed	CFM at Static Pressure																																											
				0.250" SP		0.375" SP		0.500" SP		0.750" SP		1.000" SP		1.250" SP		1.500" SP		1.750" SP		2.000" SP		2.250" SP		2.500" SP																							
				Sone	BHP	Sone	BHP	Sone	BHP	Sone	BHP	Sone	BHP	Sone	BHP	Sone	BHP	Sone	BHP	Sone	BHP	Sone	BHP	Sone	BHP	Sone	BHP																				
180RH3B 180SCH3B	1/4 15 lbs.	897	4227	2068		1910		1724																																							
180RH4B 180SCH4B	1/3 19 lbs.	992	4674	2344		2212		2060		1704																																					
180RH5B 180SCH5B	1/2 23 lbs.	1139	5367	2759		2652		2534		2258		1939																																			
180RH6B 180SCH6B	3/4 31 lbs.	1225 1311	5772 6177	2998		2900		2796		2557		2278																																			
180RH7B 180SCH7B	1 36 lbs.	1446	6814	3602		3521		3438		3260		3057		2827		2583																															
180RH8B 180SCH8B	1-1/2 38 lbs.	1553 1660	7318 7822	3891		3817		3741		3580		3403		3204		2984		2756																													
180RH9B 180SCH9B	2 50 lbs.	1744 1829	8218 8618	4403		4338		4271		4134		3988		3829		3655		3464		3264		3057		2785																							
				22		1.08		22		1.11		22		1.13		22		1.17		21		1.19		20		1.22		19.5		1.26		18.7		1.28													
				25		1.32		25		1.34		25		1.37		24		1.41		24		1.44		23		1.47		22		1.51		22		1.54		21		1.57		20		1.56					
				27		1.52		27		1.55		27		1.57		27		1.62		26		1.66		25		1.69		25		1.72		24		1.76		23		1.80		22		1.82		22		1.80	
				29		1.75		29		1.78		29		1.80		29		1.86		28		1.90		28		1.93		27		1.96		26		2.00		26		2.05		25		2.08		24		2.10	

180 ACRUB-XP / ACSC-XP

Catalog Number	Mtr. HP/ Drv. Wt.	Fan RPM	Tip Speed	CFM at Static Pressure																																											
				1.000" SP		1.250" SP		1.500" SP		1.750" SP		2.000" SP		2.250" SP		2.500" SP		3.000" SP		3.500" SP		4.000" SP		4.500" SP																							
				Sone	BHP	Sone	BHP	Sone	BHP	Sone	BHP	Sone	BHP	Sone	BHP	Sone	BHP	Sone	BHP	Sone	BHP	Sone	BHP	Sone	BHP	Sone	BHP																				
180RX3B 180SX3B	1/4 15 lbs.	1175	5537	848		595																																									
180RX4B 180SX4B	1/3 19 lbs.	1300	6126	1089		918		698																																							
180RX5B 180SX5B	1/2 23 lbs.	1492	7030	1354		1274		1156		988		774																																			
180RX6B 180SX6B	3/4 31 lbs.	1717	8091	1650		1578		1511		1436		1322		1174		1022																															
180RX7B 180SX7B	1 36 lbs.	1805 1894	8505 8925	1764		1694		1629		1564		1486		1368		1227																															
180RX8B 180SX8B	1-1/2 38 lbs.	2034 2175	9585 10249	2058		1993		1930		1871		1814		1756		1688		1466		1216																											
180RX9B 180SX9B	2 50 lbs.	2286 2397	10772 11295	2372		2316		2258		2201		2146		2094		2044		1938		1780		1558		1320																							
				24		1.02		23		1.06		23		1.10		23		1.13		23		1.16		23		1.19		23		1.22		23		1.28		23		1.27									
				26		1.22		26		1.27		26		1.31		26		1.34		26		1.38		26		1.41		25		1.44		25		1.51		26		1.57		26		1.55					
				28		1.40		28		1.45		28		1.49		28		1.53		28		1.57		28		1.60		28		1.64		28		1.70		28		1.78		28		1.82		29		1.78	
				31		1.60		30		1.65		30		1.69		30		1.74		30		1.78		30		1.82		30		1.85		30		1.92		30		1.99		30		2.08		31		2.10	

Performance certified is for Installation Type A: free inlet, free outlet. Power rating (BHP) does not include transmission losses. Performance ratings do not include the effects of appurtenances (accessories). The sound ratings shown are loudness values in fan sones at 5 ft. (1.5m) in a hemispherical free field calculated per AMCA Standard 301. Values shown are for Installation Type A: free inlet hemispherical sone levels.

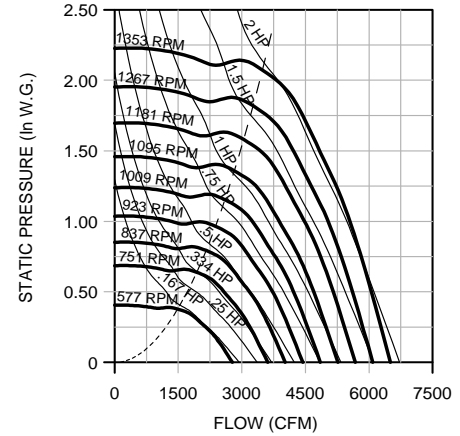
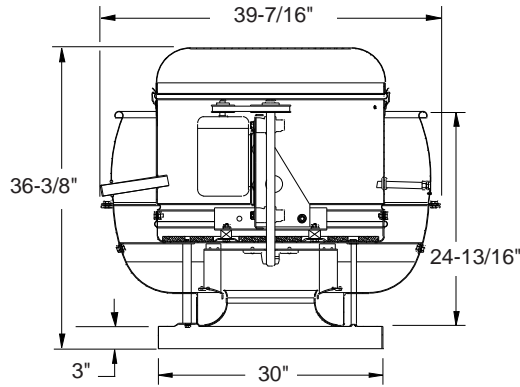
195 ACRUB / ACSC (Std, HP, XP) Data

195 ACRUB / ACSC

Wheel Diameter - 19.5 inches
Tip Speed (FPM) - 5.1 x RPM
Maximum RPM - 1353
Maximum BHP - .85 x (RPM/1000)³
Maximum Motor Frame - 145T
Approx. Ship Wt. (Less Motor) - 110 lbs.
Roof Curb - RCG, RCA - 28
Roof Opening - 25-1/2 inches

Material Gauges

Top Cap Lid - .050
Top Cap Cylinder - .040
Baffle - .080
Base - .080

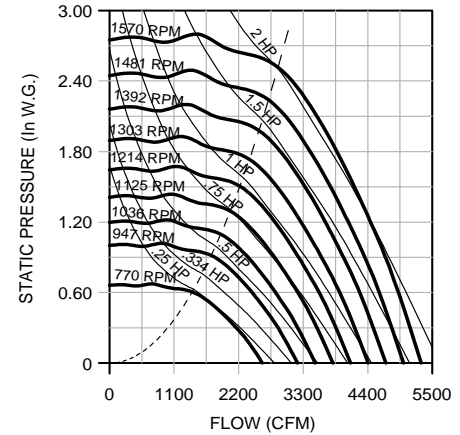
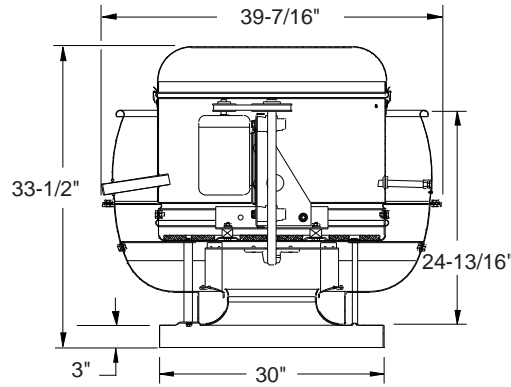


195 ACRUB-HP / ACSC-HP

Wheel Diameter - 19.5 inches
Tip Speed (FPM) - 5.1 x RPM
Maximum RPM - 1570
Maximum BHP - .54 x (RPM/1000)³
Maximum Motor Frame - 145T
Approx. Ship Wt. (Less Motor) - 110 lbs.
Roof Curb - RCG, RCA - 28
Roof Opening - 25-1/2 inches

Material Gauges

Top Cap Lid - .050
Top Cap Cylinder - .040
Baffle - .080
Base - .080

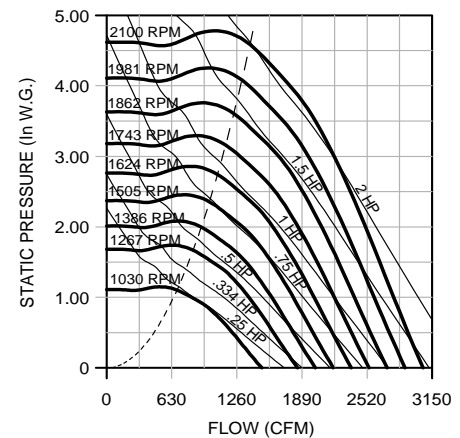
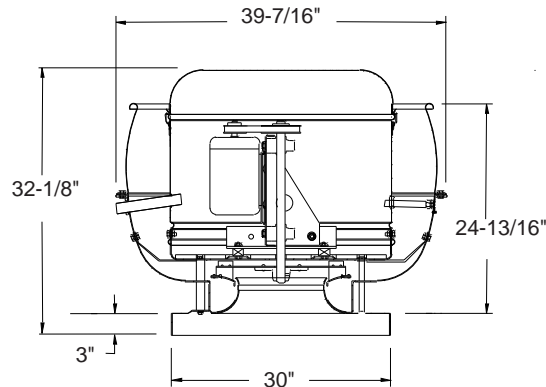


195 ACRUB-XP / ACSC-XP

Wheel Diameter - 19.5 inches
Tip Speed (FPM) - 5.1 x RPM
Maximum RPM - 2100
Maximum BHP - .23 x (RPM/1000)³
Maximum Motor Frame - 145T
Approx. Ship Wt. (Less Motor) - 110 lbs.
Roof Curb - RCG, RCA - 28
Roof Opening - 25-1/2 inches

Material Gauges

Top Cap Lid - .050
Top Cap Cylinder - .040
Baffle - .080
Base - .080



Performance certified is for Installation Type A: free inlet, free outlet. Power rating (BHP) does not include transmission losses. Performance ratings do not include the effects of appurtenances (accessories). The sound ratings shown are loudness values in fan sones at 5 ft. (1.5m) in a hemispherical free field calculated per AMCA Standard 301. Values shown are for Installation Type A: free inlet hemispherical sone levels.

195 ACRUB / ACSC

Catalog Number	Mtr. HP/ Drv. Wt.	Fan RPM	Tip Speed	CFM at Static Pressure																					
				0.000" SP		.125" SP		0.250" SP		0.375" SP		0.500" SP		0.625" SP		0.750" SP		0.875" SP		1.000" SP		1.250" SP		1.500" SP	
				Sone	BHP	Sone	BHP	Sone	BHP	Sone	BHP	Sone	BHP	Sone	BHP	Sone	BHP	Sone	BHP	Sone	BHP	Sone	BHP	Sone	BHP
195R2B 195SC2B	1/6 15 lbs.	577	2945	2774		2506		2147		1510															
195R3B 195SC3B	1/4 15 lbs.	664	3389	3192		2963		2702		2329															
195R4B 195SC4B	1/3 19 lbs.	734	3747	3528		3323		3100		2816		2454													
195R5B 195SC5B	1/2 23 lbs.	842	4298	4047		3869		3683		3476		3214		2899		2513									
195R6B 195SC6B	3/4 31 lbs.	969	4946	4658		4504		4345		4178		3995		3776		3505		3231		2865					
195R7B 195SC7B	1 36 lbs.	1069	5457	5139		4999		4857		4710		4554		4384		4184		3943		3695		3009			
195R8B 195SC8B	1-1/2 38 lbs.	1149 1228	5865 6269	5523		5393		5262		5127		4986		4837		4674		4484		4259		3792			
195R9B 195SC9B	2 50 lbs.	1290 1353	6585 6907	6201		6085		5969		5851		5729		5604		5472		5332		5178		4799			
				25		1.57		25		1.60		25		1.64		25		1.67		24		1.70			
				6504		6394		6283		6170		6056		5938		5816		5687		5550		5226			
				27		1.81		27		1.85		27		1.88		27		1.92		26		1.95			
				26		1.95		26		1.98		26		2.01		24		2.03		24		2.05			
				23		2.09		22		2.09		22		2.09		22		2.09		22		2.09			

195 ACRUB-HP / ACSC-HP

Catalog Number	Mtr. HP/ Drv. Wt.	Fan RPM	Tip Speed	CFM at Static Pressure																					
				0.250" SP		0.375" SP		0.500" SP		0.750" SP		1.000" SP		1.250" SP		1.500" SP		1.750" SP		2.000" SP		2.250" SP		2.500" SP	
				Sone	BHP	Sone	BHP	Sone	BHP	Sone	BHP	Sone	BHP	Sone	BHP	Sone	BHP	Sone	BHP	Sone	BHP	Sone	BHP	Sone	BHP
195RH3B 195SCH3B	1/4 15 lbs.	770	3930	2251		2019		1747																	
195RH4B 195SCH4B	1/3 19 lbs.	851	4344	2571		2374		2155																	
195RH5B 195SCH5B	1/2 23 lbs.	977	4987	3044		2893		2718		2318															
195RH6B 195SCH6B	3/4 31 lbs.	1051 1124	5365 5738	3315		3182		3029		2680		2254													
195RH7B 195SCH7B	1 36 lbs.	1240	6330	3994		3888		3775		3513		3217		2883		2453									
195RH8B 195SCH8B	1-1/2 38 lbs.	1332 1424	6799 7269	4319		4223		4121		3892		3629		3342		3016		2594							
195RH9B 195SCH9B	2 50 lbs.	1497 1570	7642 8015	4899		4814		4727		4541		4327		4091		3840		3565		3250		2832			
				25		1.54		25		1.58		25		1.61		24		1.68		23		1.72			
				5154		5073		4991		4818		4326		4404		4173		3926		3654		3342			
				26		1.77		26		1.81		26		1.85		26		1.91		25		1.97			
				24		2.00		23		2.03		22		2.07		21		2.09		20		2.09			
				19.2		2.02		19.2		2.02		19.2		2.02		19.2		2.02		19.2		2.02			

195 ACRUB-XP / ACSC-XP

Catalog Number	Mtr. HP/ Drv. Wt.	Fan RPM	Tip Speed	CFM at Static Pressure																					
				1.000" SP		1.250" SP		1.500" SP		1.750" SP		2.000" SP		2.250" SP		2.500" SP		3.000" SP		3.500" SP		4.000" SP		4.500" SP	
				Sone	BHP	Sone	BHP	Sone	BHP	Sone	BHP	Sone	BHP	Sone	BHP	Sone	BHP	Sone	BHP	Sone	BHP	Sone	BHP	Sone	BHP
195RX3B 195SCX3B	1/4 15 lbs.	1030	5258	823																					
195RX4B 195SCX4B	1/3 19 lbs.	1139	5814	1117		879																			
195RX5B 195SCX5B	1/2 23 lbs.	1308	6677	1455		1324		1153		901															
195RX6B 195SCX6B	3/4 31 lbs.	1505	7683	1806		1706		1596		1474		1315		1102											
195RX7B 195SCX7B	1 36 lbs.	1583 1660	8081 8474	1939		1846		1747		1639		1517		1356		1150									
195RX8B 195SCX8B	1-1/2 38 lbs.	1783 1906	9102 9730	2270		2190		2108		2022		1931		1834		1726		1423							
195RX9B 195SCX9B	2 50 lbs.	2003 2100	10225 10720	2624		2553		2482		2410		2336		2259		2177		2001		1775		1456			
				25		1.45		24		1.51		23		1.56		23		1.60		23		1.64			
				2778		2710		2643		2575		2506		2434		2360		2201		2020		1775			
				26		1.65		26		1.71		25		1.76		25		1.81		25		1.86			
				24		1.90		24		1.94		24		1.94		24		2.01		23		2.07			
				22		2.10		21		2.01		22		2.10		21		2.01		22		2.10			

Performance certified is for Installation Type A: free inlet, free outlet. Power rating (BHP) does not include transmission losses. Performance ratings do not include the effects of appurtenances (accessories). The sound ratings shown are loudness values in fan sones at 5 ft. (1.5m) in a hemispherical free field calculated per AMCA Standard 301. Values shown are for Installation Type A: free inlet hemispherical sone levels.

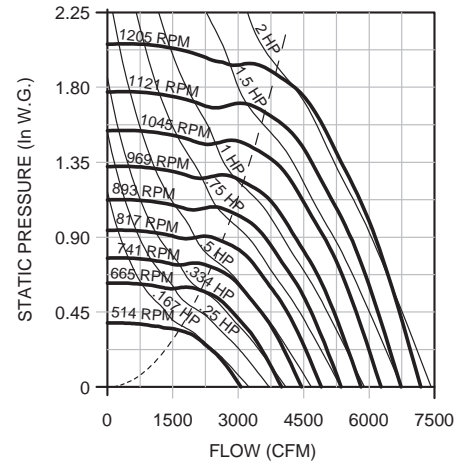
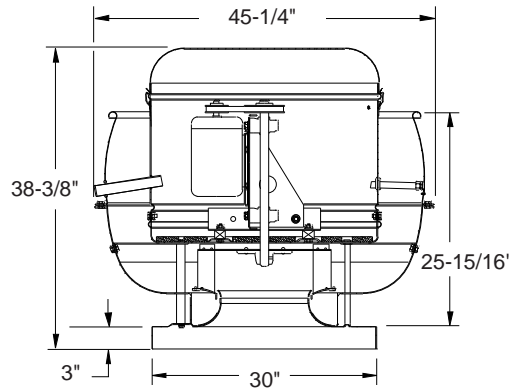
210 ACRUB / ACSC (Std, HP, XP) Data

210 ACRUB / ACSC

Wheel Diameter - 21 inches
Tip Speed (FPM) - 5.5 x RPM
Maximum RPM - 1205
Maximum BHP - 1.2 x (RPM/1000)³
Maximum Motor Frame - 182T
Approx. Ship Wt. (Less Motor) - 220 lbs.
Roof Curb - RCG, RCA - 28
Roof Opening - 25-1/2 inches

Material Gauges

Top Cap Lid - .063
Top Cap Cylinder - .040
Baffle - .080
Base - .080

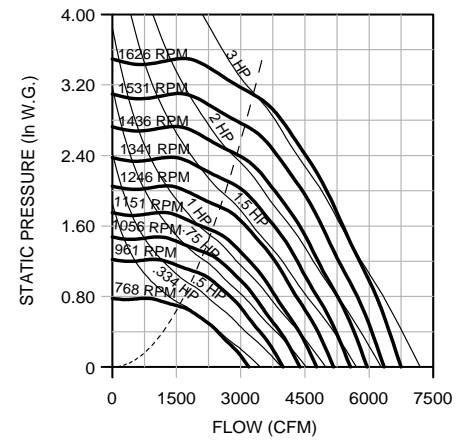
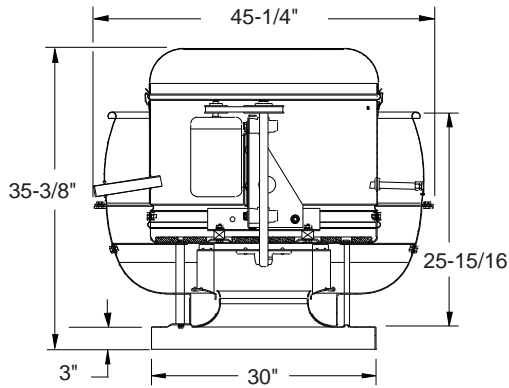


210 ACRUB-HP / ACSC-HP

Wheel Diameter - 21 inches
Tip Speed (FPM) - 5.5 x RPM
Maximum RPM - 1626
Maximum BHP - .74 x (RPM/1000)³
Maximum Motor Frame - 182T
Approx. Ship Wt. (Less Motor) - 220 lbs.
Roof Curb - RCG, RCA - 28
Roof Opening - 25-1/2 inches

Material Gauges

Top Cap Lid - .063
Top Cap Cylinder - .040
Baffle - .080
Base - .080

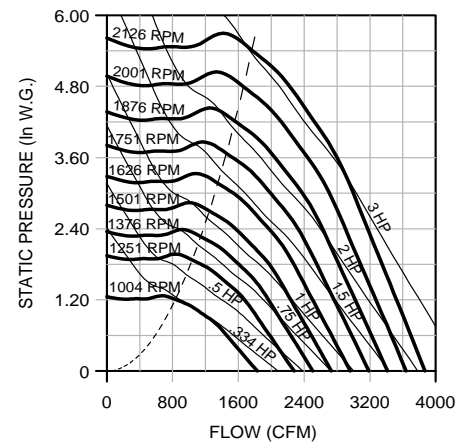
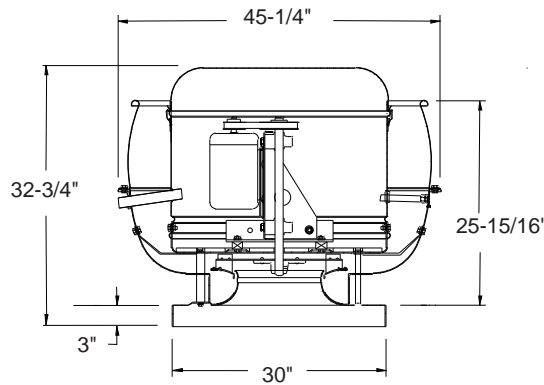


210 ACRUB-XP / ACSC-XP

Wheel Diameter - 21 inches
Tip Speed (FPM) - 5.5 x RPM
Maximum RPM - 2126
Maximum BHP - .33 x (RPM/1000)³
Maximum Motor Frame - 182T
Approx. Ship Wt. (Less Motor) - 220 lbs.
Roof Curb - RCG, RCA - 28
Roof Opening - 25-1/2 inches

Material Gauges

Top Cap Lid - .063
Top Cap Cylinder - .040
Baffle - .080
Base - .080



Performance certified is for Installation Type A: free inlet, free outlet. Power rating (BHP) does not include transmission losses. Performance ratings do not include the effects of appurtenances (accessories). The sound ratings shown are loudness values in fan sones at 5 ft. (1.5m) in a hemispherical free field calculated per AMCA Standard 301. Values shown are for Installation Type A: free inlet hemispherical sone levels.

210 ACRUB / ACSC

Catalog Number	Mtr. HP/ Drv. Wt.	Fan RPM	Tip Speed	CFM at Static Pressure																							
				0.000" SP		0.125" SP		0.250" SP		0.375" SP		0.500" SP		0.625" SP		0.750" SP		0.875" SP		1.000" SP		1.250" SP		1.500" SP			
				Sone	BHP	Sone	BHP	Sone	BHP	Sone	BHP	Sone	BHP	Sone	BHP	Sone	BHP	Sone	BHP	Sone	BHP	Sone	BHP	Sone	BHP	Sone	BHP
210R2B 210SC2B	1/6 15 lbs.	514	2825	3052		2672		2247																			
				5.4	.14	4.8	.15	4.2	.16																		
210R3B 210SC3B	1/4 15 lbs.	591	3249	3509		3180		2836		2428																	
				7.3	.21	6.8	.22	6.3	.24	5.6	.25																
210R4B 210SC4B	1/3 19 lbs.	653	3590	3877		3580		3275		2940		2534															
				8.6	.28	8.1	.3	7.5	.31	7.0	.33	6.3		.33													
210R5B 210SC5B	1/2 23 lbs.	750	4123	4453		4195		3933		3661		3363		3019		2522											
				10.6	.43	10.1	.45	9.6	.46	9.1	.48	8.6	.49	7.9	.5	7.4	.49										
210R6B 210SC6B	3/4 31 lbs.	863	4744	5124		4900		4674		4445		4206		3950		3667		3344		2864							
				13.7	.65	13.3	.67	12.9	.69	12.4	.71	11.9	.73	11.4	.75	10.8	.76	10.2	.77	9.7	.75						
210R7B 210SC7B	1 36 lbs.	952	5233	5653		5449		5245		5039		4829		4611		4378		4126		3849		2960					
				16.7	.88	16.2	.9	15.8	.92	15.4	.94	14.9	.97	14.5	.99	13.9	1.01	13.3	1.02	12.7	1.03	11.7	.97				
210R8B 210SC8B	1-1/2 38 lbs.	1022 1093	5618 6009	6068		5879		5689		5498		5304		5106		4899		4681		4446		3904					
				19.1	1.09	18.7	1.11	18.3	1.13	17.9	1.15	17.4	1.18	16.9	1.21	16.5	1.23	15.9	1.25	15.14	1.26	14.3	1.28				
				22	1.33	21	1.35	21	1.37	21	1.4	20	1.43	19.7	1.45	19.3	1.48	18.8	1.51	18.2	1.52	17.1	1.55	16.0	1.56		
210R9B 210SC9B	2 50 lbs.	1149 1205	6316 6624	6822		6654		6485		6316		6145		5973		5797		5617		5429		5022		4559			
				24	1.54	24	1.57	23	1.59	23	1.62	22	1.64	22	1.67	22	1.7	21	1.73	21	1.76	19.5	1.79	18.4	1.81		
				26	1.78	26	1.8	25	1.83	25	1.86	24	1.89	24	1.92	24	1.95	23	1.98	23	2.01	22	2.05	20	2.07		

210 ACRUB-HP / ACSC-HP

Catalog Number	Mtr. HP/ Drv. Wt.	Fan RPM	Tip Speed	CFM at Static Pressure																							
				0.250" SP		0.375" SP		0.500" SP		0.750" SP		1.000" SP		1.250" SP		1.500" SP		1.750" SP		2.000" SP		2.250" SP		2.500" SP			
				Sone	BHP	Sone	BHP	Sone	BHP	Sone	BHP	Sone	BHP	Sone	BHP	Sone	BHP	Sone	BHP	Sone	BHP	Sone	BHP	Sone	BHP	Sone	BHP
210RH4B 210SCH4B	1/3 19 lbs.	768	4222	2769		2511		2235																			
				8.4	.31	8.3	.32	7.9	.33																		
210RH5B 210SCH5B	1/2 23 lbs.	882	4849	3323		3093		2875		2341																	
				10.7	.45	10.6	.47	10.6	.49	9.5	.50																
210RH6B 210SCH6B	3/4 31 lbs.	1015	5580	3932		3759		3554		3176		2679		1793													
				13.7	.67	13.6	.70	13.6	.72	13.2	.75	12.2	.77	11.2	.69												
210RH7B 210SCH7B	1 36 lbs.	1067 1120	5866 6157	4164		4008		3819		3452		3037		2485													
				14.9	.77	14.8	.81	14.8	.83	14.6	.87	13.8	.89	12.7	.87												
				16.2	.89	16.1	.92	16.1	.95	16.0	.99	15.3	1.02	14.2	1.03	13.3	.95										
210RH8B 210SCH8B	1-1/2 38 lbs.	1286	7070	5122		5007		4881		4572		4264		3965		3579		3133		2301							
				19.8	1.31	19.7	1.36	19.7	1.40	19.6	1.46	19.5	1.50	18.9	1.54	18.1	1.57	17.2	1.55	16.4	1.41						
210RH9B 210SCH9B	2 50 lbs.	1352 1417	7433 7790	5406		5300		5184		4905		4600		4323		4009		3609		3164		2260					
				21	1.52	21	1.56	21	1.61	21	1.68	21	1.73	21	1.77	20	1.80	19.3	1.82	18.4	1.78	17.7	1.59				
				23	1.74	23	1.79	23	1.83	23	1.92	23	1.98	23	2.02	22	2.06	21	2.09	20	2.09	19.7	2.03	19.0	1.80		
210RH10B 210SCH10B	3 74 lbs.	1521 1626	8362 8939	6131		6038		5942		5725		5462		5191		4944		4688		4374		4008		3618			
				26	2.13	26	2.19	26	2.24	26	2.33	26	2.41	25	2.46	25	2.51	25	2.55	24	2.58	23	2.59	22	2.54		
				29	2.59	29	2.65	29	2.70	29	2.81	28	2.90	28	2.97	28	3.02	28	3.07	27	3.11	27	3.15	26	3.16		

210 ACRUB-XP / ACSC-XP

Catalog Number	Mtr. HP/ Drv. Wt.	Fan RPM	Tip Speed	CFM at Static Pressure																							
				1.000" SP		1.250" SP		1.500" SP		1.750" SP		2.000" SP		2.250" SP		2.500" SP		3.000" SP		3.500" SP		4.000" SP		4.500" SP			
				Sone	BHP	Sone	BHP	Sone	BHP	Sone	BHP	Sone	BHP	Sone	BHP	Sone	BHP	Sone	BHP	Sone	BHP	Sone	BHP	Sone	BHP	Sone	BHP
210RX4B 210SCX4B	1/3 19 lbs.	1004	5519	1127																							
				9.0	.33																						
210RX5B 210SCX5B	1/2 23 lbs.	1153	6338	1558		1357		1102																			
				11.3	.48	11.2	.50	12.7	.50																		
210RX6B 210SCX6B	3/4 31 lbs.	1327	7295	1950		1832		1684		1487		1253															
				14.6	.69	14.5	.73	14.4	.76	14.6	.77	18.1	.76														
210RX7B 210SCX7B	1 36 lbs.	1464	8048	2243		2138		2030		1905		1734		1552		1301											
				17.4	.90	17.3	.93	17.2	.97	17.1	1.01	17.0	1.03	18.2	1.03	27	1.01										
210RX8B 210SCX8B	1-1/2 38 lbs.	1572 1681	8642 9241	2469		2370		2273		2172		2055		1900		1732											
				19.3	1.08	19.2	1.13	19.1	1.17	19.0	1.21	18.8	1.24	18.7	1.27	19.6	1.28										
				22	1.30	21	1.34	21	1.39	21	1.43	21	1.47	21	1.51	21	1.55	23	1.56								
210RX9B 210SCX9B	2 50 lbs.	1767 1852	9714 10181	2869		2780		2691		2605		2518		2426		2322		2041		1710							
				23	1.48	23	1.53	23	1.58	23	1.63	22	1.67	22	1.72	22	1.76	22	1.82	29	1.80						
				25	1.68	25	1.74	24	1.79	24	1.84	24	1.89	24	1.94	24	1.98	24	2.07	25	2.10	40	2.04				
210RX10B 210SCX10B	3 74 lbs.	1989 2126	10935 11688	3313		3235		3156		3077		2999		2922		2845		2679		2459		2192		1872			
				28	2.04	28	2.11	27	2.17	27	2.23	27	2.28	27	2.33	26	2.38	26	2.48	26	2.57	28	2.60	39	2.55		
				32	2.46	31	2.53	30	2.60	30	2.66	30	2.72	30	2.78	29	2.83	29	2.94	29	3.04	29	3.13	31	3.17		

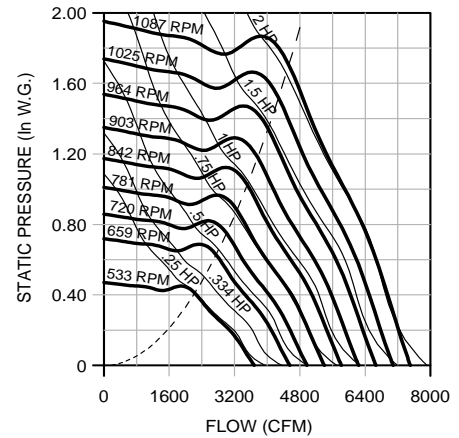
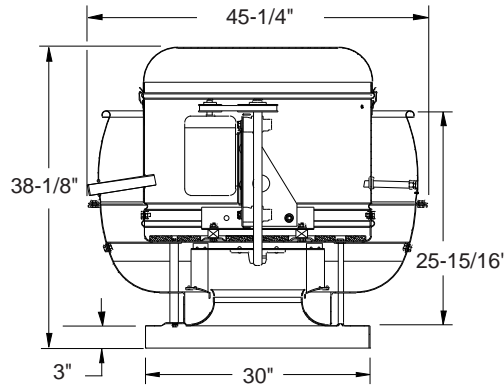
Performance certified is for Installation Type A: free inlet, free outlet. Power rating (BHP) does not include transmission losses. Performance ratings do not include the effects of appurtenances (accessories). The sound ratings shown are loudness values in fan sones at 5 ft. (1.5m) in a hemispherical free field calculated per AMCA Standard 301. Values shown are for Installation Type A: free inlet hemispherical sone levels.

225 ACRUB / ACSC (Std, HP, XP) Data

225 ACRUB / ACSC

Wheel Diameter - 22.5 inches
Tip Speed (FPM) - 5.9 x RPM
Maximum RPM - 1086
Maximum BHP - 1.6 x (RPM/1000)³
Maximum Motor Frame - 182T
Approx. Ship Wt. (Less Motor) - 242 lbs.
Roof Curb - RCG, RCA - 28
Roof Opening - 25-1/2 inches

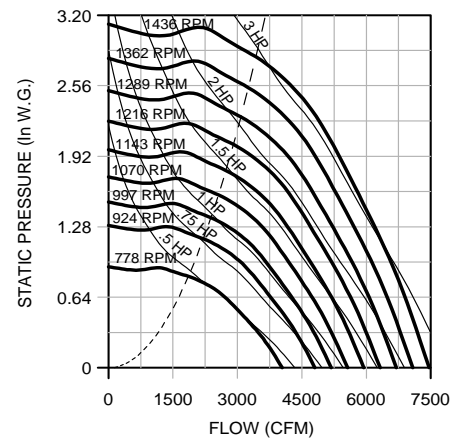
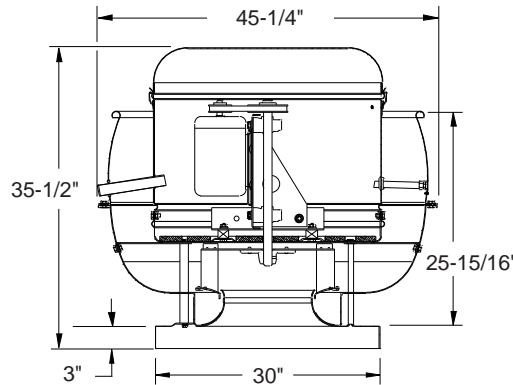
Material Gauges
Top Cap Lid - .063
Top Cap Cylinder - .040
Baffle - .080
Base - .080



225 ACRUB-HP / ACSC-HP

Wheel Diameter - 22.5 inches
Tip Speed (FPM) - 5.9 x RPM
Maximum RPM - 1435
Maximum BHP - 1.1 x (RPM/1000)³
Maximum Motor Frame - 182T
Approx. Ship Wt. (Less Motor) - 242 lbs.
Roof Curb - RCG, RCA - 28
Roof Opening - 25-1/2 inches

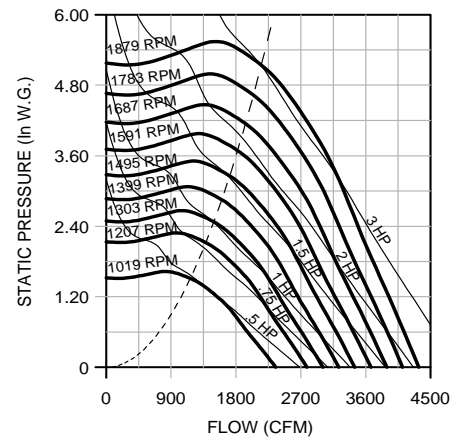
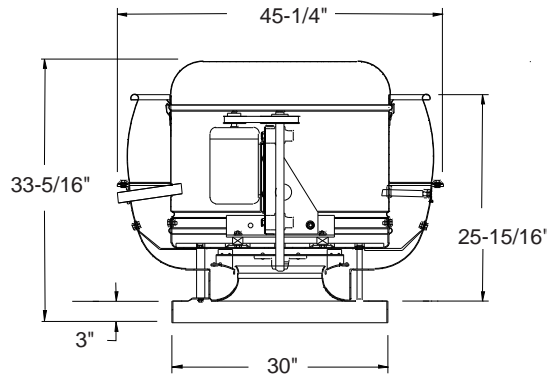
Material Gauges
Top Cap Lid - .063
Top Cap Cylinder - .040
Baffle - .080
Base - .080



225 ACRUB-XP / ACSC-XP

Wheel Diameter - 22.5 inches
Tip Speed (FPM) - 5.9 x RPM
Maximum RPM - 1879
Maximum BHP - .48 x (RPM/1000)³
Maximum Motor Frame - 182T
Approx. Ship Wt. (Less Motor) - 242 lbs.
Roof Curb - RCG, RCA - 28
Roof Opening - 25-1/2 inches

Material Gauges
Top Cap Lid - .063
Top Cap Cylinder - .040
Baffle - .080
Base - .080



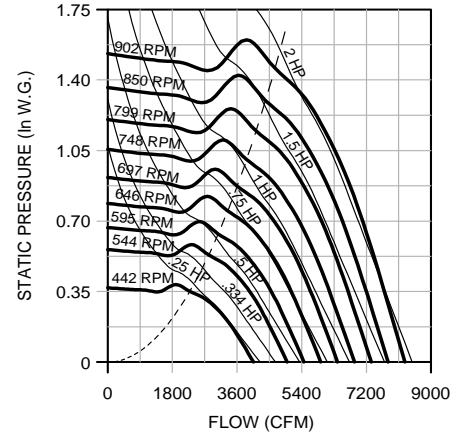
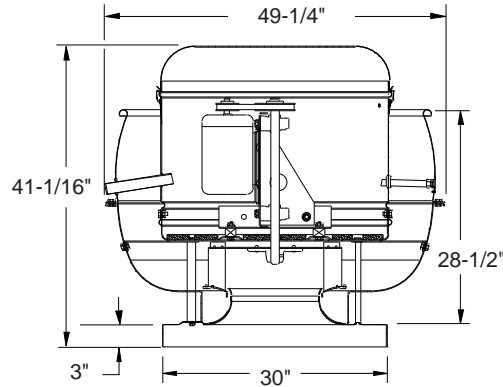
Performance certified is for Installation Type A: free inlet, free outlet. Power rating (BHP) does not include transmission losses. Performance ratings do not include the effects of appurtenances (accessories). The sound ratings shown are loudness values in fan sones at 5 ft. (1.5m) in a hemispherical free field calculated per AMCA Standard 301. Values shown are for Installation Type A: free inlet hemispherical sone levels.

245 ACRUB / ACSC (Std, HP, XP) Data

245 ACRUB / ACSC

Wheel Diameter - 24.5 inches
Tip Speed (FPM) - 6.4 x RPM
Maximum RPM - 901
Maximum BHP - 2.8 x (RPM/1000)³
Maximum Motor Frame - 182T
Approx. Ship Wt. (Less Motor) - 264 lbs.
Roof Curb - RCG, RCA - 28
Roof Opening - 25-1/2 inches

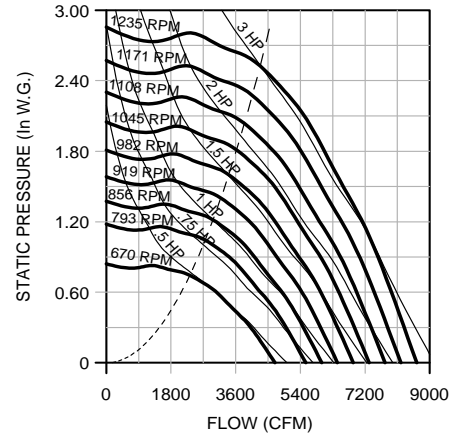
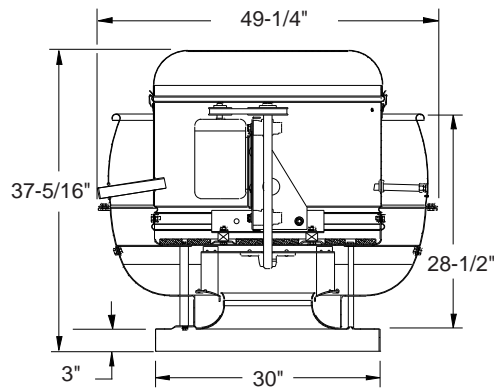
Material Gauges
Top Cap Lid - .063
Top Cap Cylinder - .040
Baffle - .080
Base - .080



245 ACRUB-HP / ACSC-HP

Wheel Diameter - 24.5 inches
Tip Speed (FPM) - 6.4 x RPM
Maximum RPM (Standard Wheel) - 1185
Maximum RPM (Reinforced Wheel) - 1234
Maximum BHP - 1.6 x (RPM/1000)³
Maximum Motor Frame - 182T
Approx. Ship Wt. (Less Motor) - 264 lbs.
Roof Curb - RCG, RCA - 28
Roof Opening - 25-1/2 inches

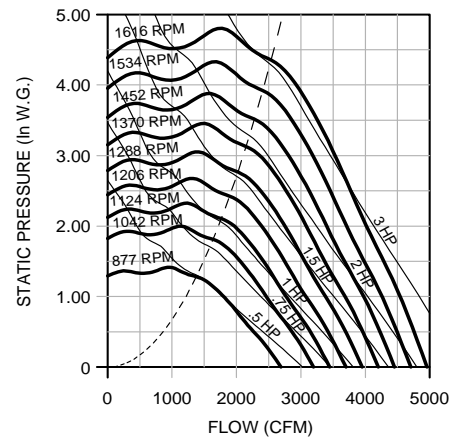
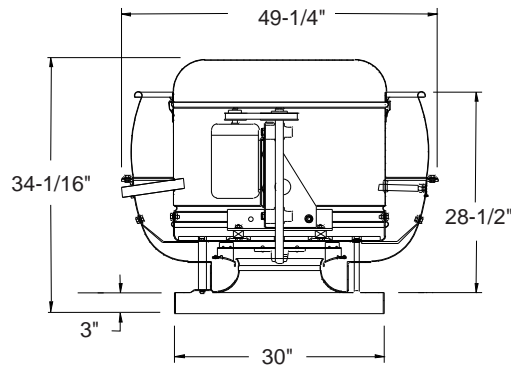
Material Gauges
Top Cap Lid - .063
Top Cap Cylinder - .040
Baffle - .080
Base - .080



245 ACRUB-XP / ACSC-XP

Wheel Diameter - 24.5 inches
Tip Speed (FPM) - 6.4 x RPM
Maximum RPM (Standard Wheel) - 1616
Maximum BHP - .75 x (RPM/1000)³
Maximum Motor Frame - 182T
Approx. Ship Wt. (Less Motor) - 264 lbs.
Roof Curb - RCG, RCA - 28
Roof Opening - 25-1/2 inches

Material Gauges
Top Cap Lid - .063
Top Cap Cylinder - .040
Baffle - .080
Base - .080



Performance certified is for Installation Type A: free inlet, free outlet. Power rating (BHP) does not include transmission losses. Performance ratings do not include the effects of appurtenances (accessories). The sound ratings shown are loudness values in fan sones at 5 ft. (1.5m) in a hemispherical free field calculated per AMCA Standard 301. Values shown are for Installation Type A: free inlet hemispherical sone levels.

Data ACRUB / ACSC (Std, HP, XP) 245

245 ACRUB / ACSC

Catalog Number	Mtr. HP/ Drv. Wt.	Fan RPM	Tip Speed	CFM at Static Pressure																					
				0.000" SP		0.125" SP		0.250" SP		0.375" SP		0.500" SP		0.625" SP		0.750" SP		0.875" SP		1.000" SP		1.250" SP		1.500" SP	
				Sone	BHP	Sone	BHP	Sone	BHP	Sone	BHP	Sone	BHP	Sone	BHP	Sone	BHP	Sone	BHP	Sone	BHP	Sone	BHP	Sone	BHP
245R3B 245SC3B	1/4 15 lbs.	442	2835	4058		3639		3116																	
245R4B 245SC4B	1/3 19 lbs.	489	3136	4490		4114		3691		3060															
245R5B 245SC5B	1/2 23 lbs.	561	3598	5151		4825		4481		4067		3471													
245R6B 245SC6B	3/4 31 lbs.	646	4143	5931		5649		5359		5047		4674		4185											
245R7B 245SC7B	1 36 lbs.	679 712	4355 4566	6234 6537		5966 6282		5692 6022		5402 5750		5074 5453		4662 5098		4104 4650			3955						
245R8B 245SC8B	1-1/2 38 lbs.	765 818	4906 5246	7023 7510		6786 7288		6546 7064		6297 6835		6035 6596		5741 6341		5391 6052		4962 5713		4325 5307					
245R9B 245SC9B	2 50 lbs.	860 902	5516 5785	7896 8281		7685 8080		7472 7878		7255 7672		7032 7461		6797 7243		6542 7011		6251 6756		5912 6465		4947 5738			
				27	1.86	27	1.91	26	1.96	26	2.00	26	2.04	25	2.07	25	2.08	24	2.09	24	2.08	22	2.05		

245 ACRUB-HP / ACSC-HP

Catalog Number	Mtr. HP/ Drv. Wt.	Fan RPM	Tip Speed	CFM at Static Pressure																					
				0.250" SP		0.375" SP		0.500" SP		0.750" SP		1.000" SP		1.250" SP		1.500" SP		1.750" SP		2.000" SP		2.250" SP		2.500" SP	
				Sone	BHP	Sone	BHP	Sone	BHP	Sone	BHP	Sone	BHP	Sone	BHP	Sone	BHP	Sone	BHP	Sone	BHP	Sone	BHP	Sone	BHP
245RH5B 245SCH5B	1/2 23 lbs.	670	4297	4143		3805		3393																	
245RH6B 245SCH6B	3/4 31 lbs.	771	4945	4929		4675		4369		3661															
245RH7B 245SCH7B	1 36 lbs.	811 850	5201 5451	5233 5528		4998 5307		4730 5065		4061 4442		3255 3783													
245RH8B 245SCH8B	1-1/2 38 lbs.	913 976	5856 6260	5999 6466		5796 6279		5583 6084		5056 5640		4458 5075		3732 4522		3721									
245RH9B 245SCH9B	2 50 lbs.	1026 1076	6580 6901	6835 7201		6657 7033		6475 6860		6076 6494		5564 6044		5036 5526		4446 5027		4353							
245RH10B 245SCH10B	3 74 lbs.	1156 1235	7414 7921	7785 8358		7628 8212		7470 8065		7140 7762		6769 7437		6307 7055		5832 6603		5364 6166		4738 5725		5153			
				31	2.70	31	2.77	31	2.84	30	2.93	30	2.99	29	3.05	28	3.12	27	3.16	26	3.16	25	3.12		

245 ACRUB-XP / ACSC-XP

Catalog Number	Mtr. HP/ Drv. Wt.	Fan RPM	Tip Speed	CFM at Static Pressure																					
				1.000" SP		1.250" SP		1.500" SP		1.750" SP		2.000" SP		2.250" SP		2.500" SP		3.000" SP		3.500" SP		4.000" SP		4.500" SP	
				Sone	BHP	Sone	BHP	Sone	BHP	Sone	BHP	Sone	BHP	Sone	BHP	Sone	BHP	Sone	BHP	Sone	BHP	Sone	BHP	Sone	BHP
245RX5B 245SCX5B	1/2 23 lbs.	877	5625	1801		1469																			
245RX6B 245SCX6B	3/4 31 lbs.	1009	6471	2337		2137		1898																	
245RX7B 245SCX7B	1 36 lbs.	1113	7138	2730		2555		2374		2164		1887													
245RX8B 245SCX8B	1-1/2 38 lbs.	1195 1278	7664 8197	3038 3348		2866 3178		2705 3023		2534 2872		2338 2711		2099 2530		2320									
245RX9B 245SCX9B	2 50 lbs.	1343 1408	8614 9031	3586 3820		3422 3665		3267 3511		3123 3369		2978 3233		2822 3093		2647 2941		2585							
245RX10B 245SCX10B	3 74 lbs.	1477 1546 1616	9473 9916 10365	4063 4302 4540		3920 4170 4419		3771 4029 4287		3628 3888 4150		3495 3755 4018		3365 3629 3894		3231 3505 3774		2928 3237 3531		2530 2923 3258		2530 2923 2931			
				27	2.03	27	2.09	27	2.14	26	2.20	26	2.25	26	2.31	26	2.36	26	2.42	25	2.38				
				29	2.30	29	2.37	29	2.43	28	2.48	28	2.54	28	2.60	28	2.66	27	2.75	27	2.77				
				31	2.59	31	2.67	31	2.74	31	2.80	30	2.85	30	2.92	30	2.98	30	3.09	29	3.16	29	3.15		

Performance certified is for Installation Type A: free inlet, free outlet. Power rating (BHP) does not include transmission losses. Performance ratings do not include the effects of appurtenances (accessories). The sound ratings shown are loudness values in fan sones at 5 ft. (1.5m) in a hemispherical free field calculated per AMCA Standard 301. Values shown are for Installation Type A: free inlet hemispherical sone levels. **Shaded area indicates reinforced wheel required.**

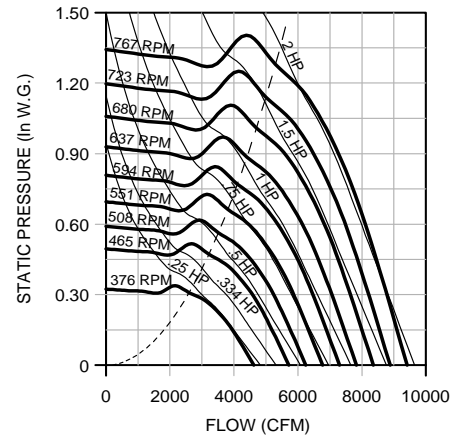
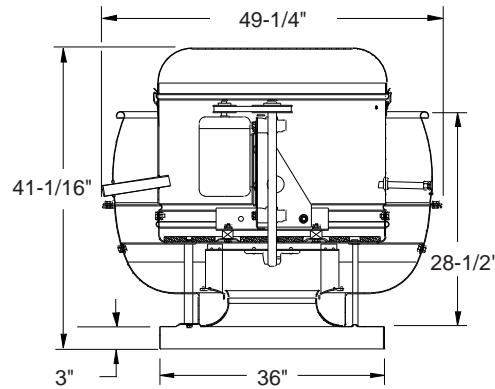
270 ACRUB / ACSC (Std, HP, XP) Data

270 ACRUB / ACSC

Wheel Diameter - 27 inches
Tip Speed (FPM) - 7.1 x RPM
Maximum RPM - 766
Maximum BHP - 4.6 x (RPM/1000)³
Maximum Motor Frame - 182T
Approx. Ship Wt. (Less Motor) - 286 lbs.
Roof Curb - RCG, RCA - 34
Roof Opening - 31-1/2 inches

Material Gauges

Top Cap Lid - .063
Top Cap Cylinder - .040
Baffle - .080
Base - .080

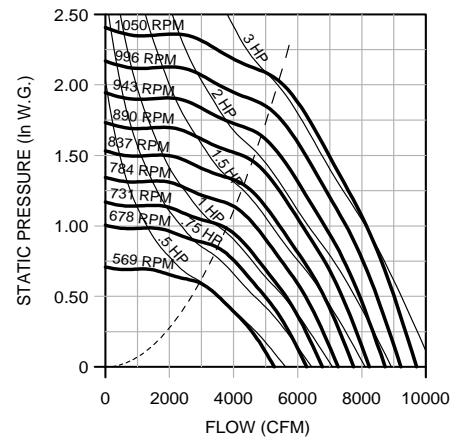
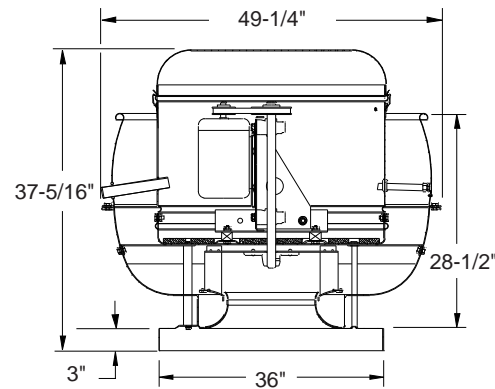


270 ACRUB-HP / ACSC-HP

Wheel Diameter - 27 inches
Tip Speed (FPM) - 7.1 x RPM
Maximum RPM (Standard Wheel) - 1025
Maximum RPM (Reinforced Wheel) - 1049
Maximum BHP - 2.7 x (RPM/1000)³
Maximum Motor Frame - 182T
Approx. Ship Wt. (Less Motor) - 286 lbs.
Roof Curb - RCG, RCA - 34
Roof Opening - 31-1/2 inches

Material Gauges

Top Cap Lid - .063
Top Cap Cylinder - .040
Baffle - .080
Base - .080

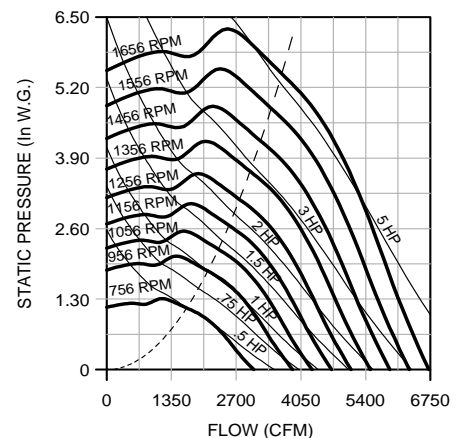
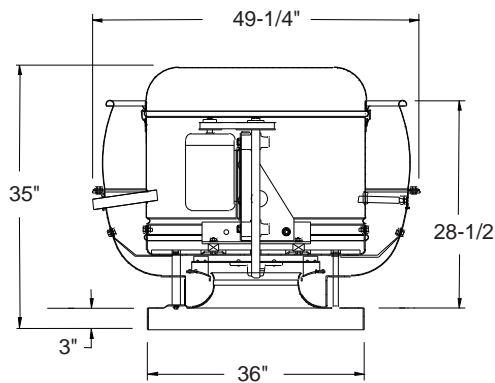


270 ACRUB-XP / ACSC-XP

Wheel Diameter - 27 inches
Tip Speed (FPM) - 7.1 x RPM
Maximum RPM - 1656
Maximum BHP - 1.17 x (RPM/1000)³
Maximum Motor Frame - 182T
Approx. Ship Wt. (Less Motor) - 286 lbs.
Roof Curb - RCG, RCA - 34
Roof Opening - 31-1/2 inches

Material Gauges

Top Cap Lid - .063
Top Cap Cylinder - .040
Baffle - .080
Base - .080



Performance certified is for Installation Type A: free inlet, free outlet. Power rating (BHP) does not include transmission losses. Performance ratings do not include the effects of appurtenances (accessories). The sound ratings shown are loudness values in fan sones at 5 ft. (1.5m) in a hemispherical free field calculated per AMCA Standard 301. Values shown are for Installation Type A: free inlet hemispherical sone levels.

270 ACRUB / ACSC

Catalog Number	Mtr. HP/ Drv. Wt.	Fan RPM	Tip Speed	CFM at Static Pressure																					
				0.000" SP		0.125" SP		0.250" SP		0.375" SP		0.500" SP		0.625" SP		0.750" SP		0.875" SP		1.000" SP		1.250" SP		1.500" SP	
				Sone	BHP	Sone	BHP	Sone	BHP	Sone	BHP	Sone	BHP	Sone	BHP	Sone	BHP	Sone	BHP	Sone	BHP	Sone	BHP	Sone	BHP
270R3B 270SC3B	1/4 15 lbs.	376	2657	4620		4073		3320																	
270R4B 270SC4B	1/3 19 lbs.	416	2940	5112		4623		4039																	
270R5B 270SC5B	1/2 23 lbs.	477	3371	5861		5439		4981		4381															
270R6B 270SC6B	3/4 31 lbs.	549	3880	6746		6381		6000		5576		5025		4158											
270R7B 270SC7B	1 36 lbs.	577 606	4078 4283	7090		6743		6384		5995		5523		4889											
270R8B 270SC8B	1-1/2 38 lbs.	651 696	4601 4919	7999		7692		7379		7052		6696		6274		5746		4965							
270R9B 270SC9B	2 50 lbs.	732 767	5174 5421	8995		8722		8445		8162		7867		7549		7185		6753		6231					
				17.7 1.61		17.7 1.67		17.6 1.72		17.0 1.76		16.4 1.79		15.8 1.81		15.4 1.81		15.0 1.80		14.6 1.78					
				18.9 1.86		18.9 1.92		18.9 1.97		18.4 2.01		17.8 2.05		17.3 2.08		16.9 2.09		16.5 2.08		16.1 2.06		15.4 1.89			

270 ACRUB-HP / ACSC-HP

Catalog Number	Mtr. HP/ Drv. Wt.	Fan RPM	Tip Speed	CFM at Static Pressure																					
				0.250" SP		0.375" SP		0.500" SP		0.750" SP		1.000" SP		1.250" SP		1.500" SP		1.750" SP		2.000" SP		2.250" SP		2.500" SP	
				Sone	BHP	Sone	BHP	Sone	BHP	Sone	BHP	Sone	BHP	Sone	BHP	Sone	BHP	Sone	BHP	Sone	BHP	Sone	BHP	Sone	BHP
270RH5B 270SCH5B	1/2 23 lbs.	569	4022	4576		4080		3523																	
270RH6B 270SCH6B	3/4 31 lbs.	655	4629	5489		5136		4685		3652															
270RH7B 270SCH7B	1 36 lbs.	689 723	4870 5110	5837		5518		5122		4200															
270RH8B 270SCH8B	1-1/2 38 lbs.	777 830	5492 5866	6721		6461		6164		5406		4565													
270RH9B 270SCH9B	2 50 lbs.	872 915	6163 6467	7656		7434		7195		6622		5908		5156											
270RH10B 270SCH10B	3 74 lbs.	983 1050	6948 7422	8734		8542		8342		7898		7352		6713		6066		5232							
				27 2.24		27 2.29		27 2.35		25 2.44		24 2.53		23 2.58		22 2.59		21 2.54							
				31 2.71		31 2.77		31 2.83		29 2.94		27 3.03		26 3.11		25 3.15		24 3.15		23 3.09					

270 ACRUB-XP / ACSC-XP

Catalog Number	Mtr. HP/ Drv. Wt.	Fan RPM	Tip Speed	CFM at Static Pressure																					
				1.000" SP		1.250" SP		1.500" SP		1.750" SP		2.000" SP		2.250" SP		2.500" SP		3.000" SP		3.500" SP		4.000" SP		4.500" SP	
				Sone	BHP	Sone	BHP	Sone	BHP	Sone	BHP	Sone	BHP	Sone	BHP	Sone	BHP	Sone	BHP	Sone	BHP	Sone	BHP	Sone	BHP
270RX5B 270SCX5B	1/2 23 lbs.	756	5343	1974																					
270RX6B 270SCX6B	3/4 31 lbs.	869	6142	2661		2374																			
270RX7B 270SCX7B	1 36 lbs.	959	6778	3117		2907		2647		2270															
270RX8B 270SCX8B	1-1/2 38 lbs.	1101	7782	3781		3624		3451		3253		3015		2697											
270RX9B 270SCX9B	2 50 lbs.	1157 1214	8178 8581	4035		3888		3732		3559		3362		3125		2811									
270RX10B 270SCX10B	3 74 lbs.	1304 1393	9217 9846	4688		4558		4428		4294		4151		3994		3820		3379							
270RX11B 270SCX11B	5 98 lbs.	1525 1656	10779 11705	5655		5537		5423		5312		5201		5088		4971		4713		4414		4043		3519	
				39 3.27		38 3.38		38 3.48		38 3.58		38 3.68		38 3.76		38 3.85		38 3.99		38 4.10		39 4.15		40 4.10	
				43 4.09		43 4.22		43 4.34		42 4.45		42 4.56		42 4.66		42 4.76		42 4.94		42 5.10		42 5.22		43 5.3	

Performance certified is for Installation Type A: free inlet, free outlet. Power rating (BHP) does not include transmission losses. Performance ratings do not include the effects of appurtenances (accessories). The sound ratings shown are loudness values in fan sones at 5 ft. (1.5m) in a hemispherical free field calculated per AMCA Standard 301. Values shown are for Installation Type A: free inlet hemispherical sone levels. **Shaded area indicates reinforced wheel required.**

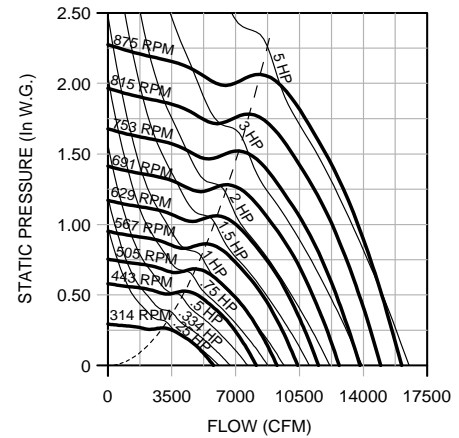
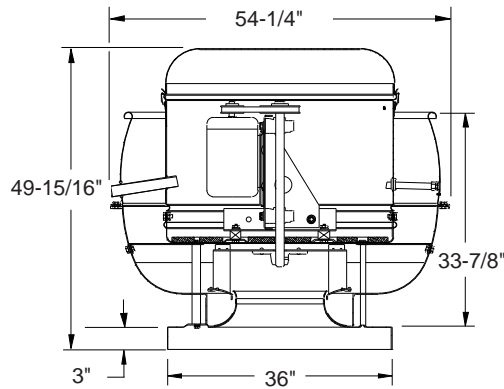
300 ACRUB / ACSC (Std, HP, XP) Data

300 ACRUB / ACSC

Wheel Diameter - 30 inches
Tip Speed (FPM) - $7.9 \times \text{RPM}$
Maximum RPM (Standard Wheel) - 837
Maximum RPM (Reinforced Wheel) - 877
Maximum BHP - $7.9 \times (\text{RPM}/1000)^3$
Maximum Motor Frame - 213T
Approx. Ship Wt. (Less Motor) - 336 lbs.
Roof Curb - RCG, RCA - 34
Roof Opening - 31-1/2 inches

Material Gauges

Top Cap Lid - .063
Top Cap Cylinder - .050
Baffle - .080
Base - .080

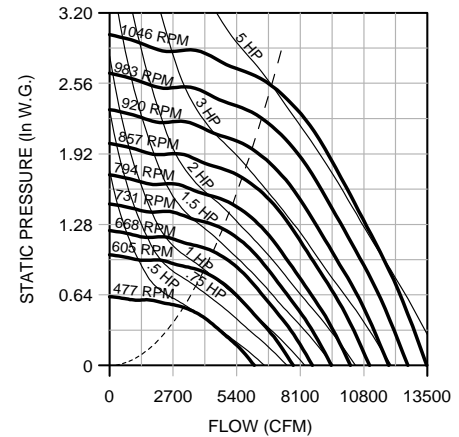
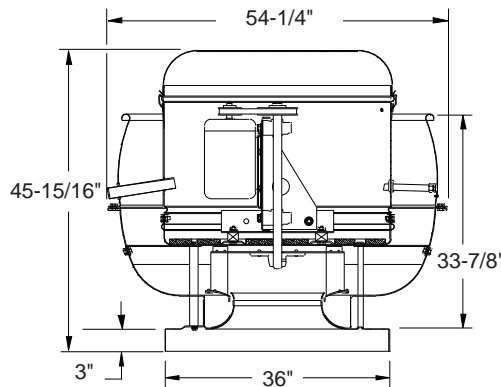


300 ACRUB-HP / ACSC-HP

Wheel Diameter - 30 inches
Tip Speed (FPM) - $7.9 \times \text{RPM}$
Maximum RPM (Standard Wheel) - 980
Maximum RPM (Reinforced Wheel) - 1046
Maximum BHP - $4.6 \times (\text{RPM}/1000)^3$
Maximum Motor Frame - 213T
Approx. Ship Wt. (Less Motor) - 336 lbs.
Roof Curb - RCG, RCA - 34
Roof Opening - 31-1/2 inches

Material Gauges

Top Cap Lid - .063
Top Cap Cylinder - .050
Baffle - .080
Base - .080

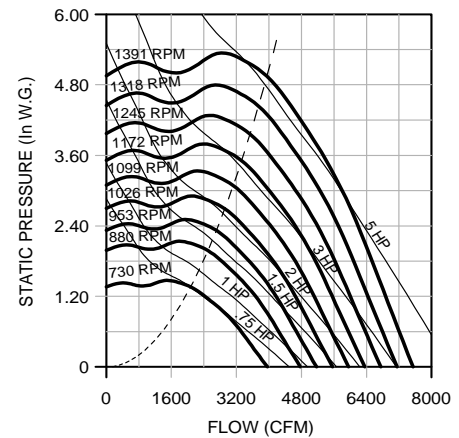
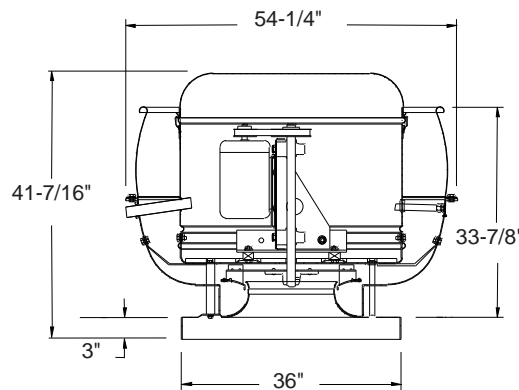


300 ACRUB-XP / ACSC-XP

Wheel Diameter - 30 inches
Tip Speed (FPM) - $7.9 \times \text{RPM}$
Maximum RPM - 1391
Maximum BHP - $1.97 \times (\text{RPM}/1000)^3$
Maximum Motor Frame - 213T
Approx. Ship Wt. (Less Motor) - 336 lbs.
Roof Curb - RCG, RCA - 34
Roof Opening - 31-1/2 inches

Material Gauges

Top Cap Lid - .063
Top Cap Cylinder - .050
Baffle - .080
Base - .080



Performance certified is for Installation Type A: free inlet, free outlet. Power rating (BHP) does not include transmission losses. Performance ratings do not include the effects of appurtenances (accessories). The sound ratings shown are loudness values in fan sones at 5 ft. (1.5m) in a hemispherical free field calculated per AMCA Standard 301. Values shown are for Installation Type A: free inlet hemispherical sone levels.

300 ACRUB / ACSC

Catalog Number	Mtr. HP/ Drv. Wt.	Fan RPM	Tip Speed	CFM at Static Pressure																					
				0.000" SP		0.125" SP		0.250" SP		0.375" SP		0.500" SP		0.625" SP		0.750" SP		0.875" SP		1.000" SP		1.250" SP		1.500" SP	
				Sone	BHP	Sone	BHP	Sone	BHP	Sone	BHP	Sone	BHP	Sone	BHP	Sone	BHP	Sone	BHP	Sone	BHP	Sone	BHP	Sone	BHP
300R3B 300SC3B	1/4 15 lbs.	314	2466	5763		4932		3486																	
300R4B 300SC4B	1/3 19 lbs.	348	2733	6387		5664		4589																	
300R5B 300SC5B	1/2 23 lbs.	399	3133	7323		6716		5941		4788															
300R6B 300SC6B	3/4 31 lbs.	459	3604	8424		7910		7302		6532		5471													
300R7B 300SC7B	1 36 lbs.	507	3981	9305		8845		8321		7709		6916		5907											
300R8B 300SC8B	1-1/2 38 lbs.	582	4571	10682		10285		9855		9370		8822		8151		7327		6284							
300R9B 300SC9B	2 50 lbs.	641	5034	11765		11406		11027		10608		10150		9637		9023		8287		7461					
300R10B 300SC10B	3 74 lbs.	736	5780	13508		13197		12876		12534		12163		11768		11340		10862		10306		8982			
300R11B 300SC11B	5 98 lbs.	806	6330	14793		14509		14219		13917		13593		13248		12886		12497		12075		11058			
		875	6872	27 3.60		27 3.68		27 3.75		26 3.83		26 3.90		25 3.97		24 4.03		24 4.08		23 4.12		22 4.12			
				31 4.61		31 4.69		31 4.77		31 4.85		30 4.93		29 5.01		29 5.09		28 5.16		27 5.21		26 5.28			

300 ACRUB-HP / ACSC-HP

Catalog Number	Mtr. HP/ Drv. Wt.	Fan RPM	Tip Speed	CFM at Static Pressure																					
				0.250" SP		0.375" SP		0.500" SP		0.750" SP		1.000" SP		1.250" SP		1.500" SP		1.750" SP		2.000" SP		2.250" SP		2.500" SP	
				Sone	BHP	Sone	BHP	Sone	BHP	Sone	BHP	Sone	BHP	Sone	BHP	Sone	BHP	Sone	BHP	Sone	BHP	Sone	BHP	Sone	BHP
300RH5B 300SCH5B	1/2 23 lbs.	477	3746	5050		4371		3466																	
300RH6B 300SCH6B	3/4 31 lbs.	549	4311	6182		4607		5015																	
300RH7B 300SCH7B	1 36 lbs.	606	4759	7030		6536		6007		4813															
300RH8B 300SCH8B	1-1/2 38 lbs.	651	5112	7678		7244		6757		5746															
		696	5466	8312		7928		7487		6562		5467													
300RH9B 300SCH9B	2 50 lbs.	767	6024	9295		8970		8600		7774		6920		5833											
				19.8 1.84		19.4 1.90		18.6 1.96		17.2 2.03		15.9 2.07		14.9 2.06											
300RH10B 300SCH10B	3 74 lbs.	823	6463	10060		9767		9443		8695		7914		7081		5910									
		880	6911	22 2.25		22 2.32		21 2.39		19.8 2.48		18.5 2.53		17.4 2.57		16.4 2.51									
				25 2.72		25 2.80		24 2.88		23 3.00		21 3.07		20 3.11		19.0 3.15		18.2 3.03							
300RH11B 300SCH11B	5 98 lbs.	963	7563	11947		11708		11457		10892		10245		9580		8903		8163		7185					
		1046	8215	28 3.53		28 3.62		28 3.71		27 3.86		25 3.97		24 4.03		23 4.08		22 4.12		21 4.06					
				32 4.49		32 4.59		32 4.68		31 4.86		30 5.01		29 5.11		27 5.16		26 5.22		25 5.28		24 5.26			

300 ACRUB-XP / ACSC-XP

Catalog Number	Mtr. HP/ Drv. Wt.	Fan RPM	Tip Speed	CFM at Static Pressure																					
				1.000" SP		1.250" SP		1.500" SP		1.750" SP		2.000" SP		2.250" SP		2.500" SP		3.000" SP		3.500" SP		4.000" SP		4.500" SP	
				Sone	BHP	Sone	BHP	Sone	BHP	Sone	BHP	Sone	BHP	Sone	BHP	Sone	BHP	Sone	BHP	Sone	BHP	Sone	BHP	Sone	BHP
300RX6B 300SCX6B	3/4 31 lbs.	730	5733	2786		2334																			
300RX7B 300SCX7B	1 36 lbs.	806	6330	3371		3029		2619																	
300RX8B 300SCX8B	1-1/2 38 lbs.	866	6801	3787		3510		3171		2783															
		925	7264	4174		3938		3662		3333		2968													
				17.5 1.4		17.1 1.46		17.2 1.51		17.8 1.54		18.4 1.56													
300RX9B 300SCX9B	2 50 lbs.	972	7634	4472		4259		4018		3738		3411		3056											
		1019	8003	18.9 1.59		18.6 1.67		18.3 1.72		18.7 1.76		19.3 1.80		19.8 1.81											
				20 1.79		20 1.88		19.9 1.95		19.8 2.00		20 2.04		21 2.08		22 2.08									
300RX10B 300SCX10B	3 74 lbs.	1095	8600	5229		5051		4866		4663		4436		4179		3889		3227							
		1170	9189	23 2.15		23 2.26		23 2.36		22 2.43		22 2.48		23 2.53		23 2.57		25 2.56							
				26 2.56		26 2.68		26 2.79		25 2.89		25 2.96		25 3.02		25 3.07		27 3.15							
300RX11B 300SCX11B	5 98 lbs.	1280	10053	6333		6182		6032		5879		5720		5552		5369		4954		4458		3906			
		1391	10924	31 3.26		31 3.38		30 3.51		30 3.63		30 3.74		30 3.84		29 3.91		30 4.02		31 4.11		32 4.12			
				37 4.08		36 4.22		36 4.35		35 4.49		35 4.63		35 4.75		35 4.86		34 5.03		35 5.15		36 5.26			

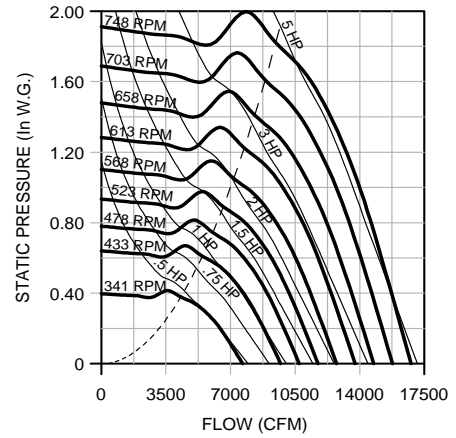
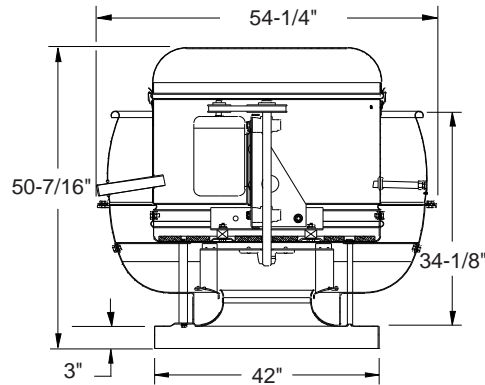
Performance certified is for Installation Type A: free inlet, free outlet. Power rating (BHP) does not include transmission losses. Performance ratings do not include the effects of appurtenances (accessories). The sound ratings shown are loudness values in fan sones at 5 ft. (1.5m) in a hemispherical free field calculated per AMCA Standard 301. Values shown are for Installation Type A: free inlet hemispherical sone levels. **Shaded area indicates reinforced wheel required.**

330 ACRUB / ACSC (Std, HP, XP) Data

330 ACRUB / ACSC

Wheel Diameter - 33 inches
Tip Speed (FPM) - 8.6 x RPM
Maximum RPM (Standard Wheel) - 716
Maximum RPM (Reinforced Wheel) - 748
Maximum BHP - 12.6 x (RPM/1000)³
Maximum Motor Frame - 213T
Approx. Ship Wt. (Less Motor) - 374 lbs.
Roof Curb - RCG, RCA - 40
Roof Opening - 37-1/2 inches

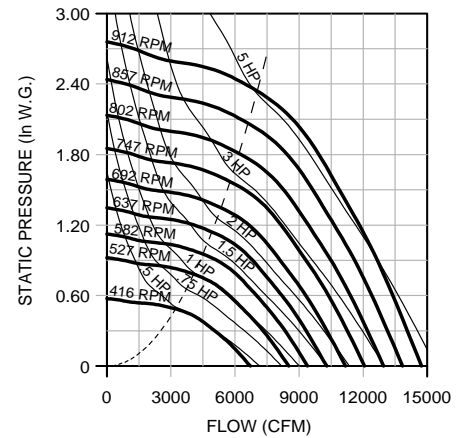
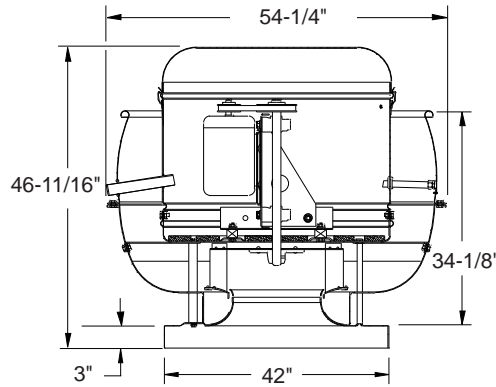
Material Gauges
Top Cap Lid - .063
Top Cap Cylinder - .050
Baffle - .080
Base - .080



330 ACRUB-HP / ACSC-HP

Wheel Diameter - 33 inches
Tip Speed (FPM) - 8.6 x RPM
Maximum RPM (Standard Wheel) - 830
Maximum RPM (Reinforced Wheel) - 912
Maximum BHP - 7.0 x (RPM/1000)³
Maximum Motor Frame - 213T
Approx. Ship Wt. (Less Motor) - 374 lbs.
Roof Curb - RCG, RCA - 40
Roof Opening - 37-1/2 inches

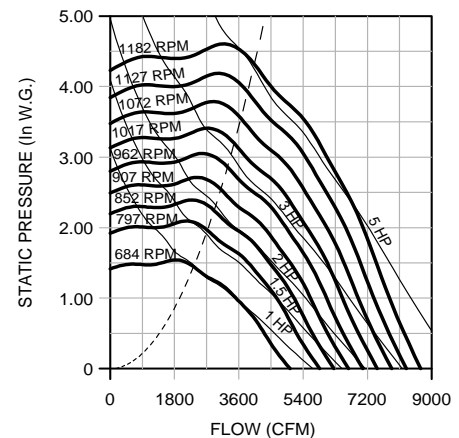
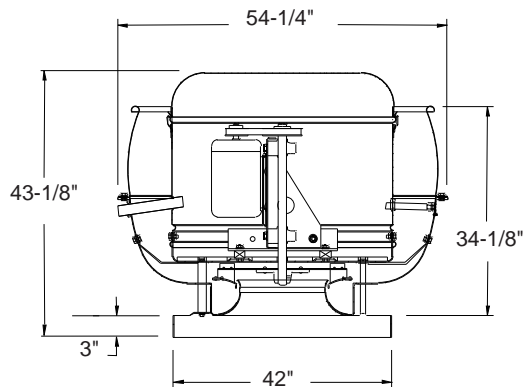
Material Gauges
Top Cap Lid - .063
Top Cap Cylinder - .050
Baffle - .080
Base - .080



330 ACRUB-XP / ACSC-XP

Wheel Diameter - 33 inches
Tip Speed (FPM) - 8.6 x RPM
Maximum RPM - 1182
Maximum BHP - 3.21 x (RPM/1000)³
Maximum Motor Frame - 213T
Approx. Ship Wt. (Less Motor) - 374 lbs.
Roof Curb - RCG, RCA - 40
Roof Opening - 37-1/2 inches

Material Gauges
Top Cap Lid - .063
Top Cap Cylinder - .050
Baffle - .080
Base - .080



Performance certified is for Installation Type A: free inlet, free outlet. Power rating (BHP) does not include transmission losses. Performance ratings do not include the effects of appurtenances (accessories). The sound ratings shown are loudness values in fan sones at 5 ft. (1.5m) in a hemispherical free field calculated per AMCA Standard 301. Values shown are for Installation Type A: free inlet hemispherical sone levels.

330 ACRUB / ACSC

Catalog Number	Mtr. HP/ Drv. Wt.	Fan RPM	Tip Speed	CFM at Static Pressure																					
				0.000" SP		0.125" SP		0.250" SP		0.375" SP		0.500" SP		0.625" SP		0.750" SP		0.875" SP		1.000" SP		1.250" SP		1.500" SP	
				Sone	BHP	Sone	BHP	Sone	BHP	Sone	BHP	Sone	BHP	Sone	BHP	Sone	BHP	Sone	BHP	Sone	BHP	Sone	BHP	Sone	BHP
330R5B 330SC5B	1/2 23 lbs.	341	2946	7650		6920		6050		4379															
				7.0	.45	6.5	.49	5.7	.50	4.9	.44														
330R6B 330SC6B	3/4 31 lbs.	393	3395	8817		8189		7512		6630		5013													
				9.2	.68	8.9	.73	8.0	.76	7.3	.76	6.6	.68												
330R7B 330SC7B	1 36 lbs.	433	3740	9714		9147		8551		7866		6934													
				11.2	.91	10.9	.97	10.0	1.01	9.2	1.02	8.6	1.01												
330R8B 330SC8B	1-1/2 38 lbs.	498	4302	11173		10681		10176		9639		9024		8243		7127									
				14.6	1.39	14.6	1.45	13.7	1.51	12.9	1.55	12.1	1.56	11.5	1.54	10.8	1.49								
330R9B 330SC9B	2 50 lbs.	523	4518	11734		11265		10787		10286		9734		9066		8220		6813							
				16.0	1.61	16.0	1.68	15.2	1.74	14.3	1.78	13.6	1.80	12.9	1.79	12.2	1.77	11.7	1.62						
330R10B 330SC10B	3 74 lbs.	588	5079	12294		11848		11394		10922		10416		9831		9115		8190							
				17.1	1.85	17.1	1.92	16.4	1.99	15.6	2.04	14.9	2.07	14.2	2.07	13.6	2.05	13.0	2.02						
330R11B 330SC11B	5 98 lbs.	689	5952	13192		12776		12354		11921		11468		10974		10400		9711		8849					
				19.0	2.29	19.0	2.36	18.4	2.43	17.8	2.49	17.1	2.54	16.5	2.56	15.8	2.55	15.2	2.53	14.6	2.50				
330R11B 330SC11B	5 98 lbs.	689	5952	14112		13723		13331		12930		12516		12079		11598		11046		8382					
				21	2.80	21	2.88	21	2.96	20	3.03	19.4	3.08	18.8	3.12	18.1	3.14	17.6	3.12	17.0	3.10	15.9	2.86		
330R11B 330SC11B	5 98 lbs.	689	5952	15458		15103		14746		14384		14014		13632		13231		12798		12312		11122		9180	
				25	3.68	25	3.77	25	3.85	24	3.93	23	4.00	23	4.06	22	4.10	21	4.12	21	4.12	19.6	4.06	18.5	3.76
330R11B 330SC11B	5 98 lbs.	689	5952	16781		16455		16127		15795		15459		15114		14761		14391		13997		13086		11937	
				28	4.71	28	4.80	28	4.90	28	4.99	27	5.07	26	5.14	26	5.20	25	5.25	25	5.27	24	5.25	22	5.19

330 ACRUB-HP / ACSC-HP

Catalog Number	Mtr. HP/ Drv. Wt.	Fan RPM	Tip Speed	CFM at Static Pressure																					
				0.250" SP		0.375" SP		0.500" SP		0.750" SP		1.000" SP		1.250" SP		1.500" SP		1.750" SP		2.000" SP		2.250" SP		2.500" SP	
				Sone	BHP	Sone	BHP	Sone	BHP	Sone	BHP	Sone	BHP	Sone	BHP	Sone	BHP	Sone	BHP	Sone	BHP	Sone	BHP	Sone	BHP
330RH5B 330SCH5B	1/2 23 lbs.	416	3593	5392		4522																			
				8.0	.49	7.2	.50																		
330RH6B 330SCH6B	3/4 31 lbs.	479	4138	6641		5951		5189																	
				10.7	.72	9.9	.75	9.1	.77																
330RH7B 330SCH7B	1 36 lbs.	528	4561	7553		6985		6319		4552															
				13.0	.95	12.2	.99	11.5	1.02	10.0	1.00														
330RH8B 330SCH8B	1-1/2 38 lbs.	567	4898	8259		7756		7173		5850															
				15.0	1.16	14.2	1.21	13.5	1.24	12.0	1.27														
330RH9B 330SCH9B	2 50 lbs.	668	5771	8953		8498		7990		6818		5091													
				17.1	1.40	16.3	1.45	15.6	1.50	14.3	1.55	12.7	1.51												
330RH10B 330SCH10B	3 74 lbs.	718	6203	10037		9640		9212		8210		7104													
				19.9	1.85	19.5	1.91	18.8	1.96	17.5	2.05	16.1	2.08												
330RH11B 330SCH11B	5 98 lbs.	839	7248	10900		10537		10153		9286		8292		7157											
				22	2.27	22	2.34	21	2.40	20	2.51	18.9	2.57	17.5	2.57										
330RH11B 330SCH11B	5 98 lbs.	839	7248	11738		11402		11052		10285		9385		8439		7220									
				25	2.75	25	2.82	24	2.89	23	3.01	22	3.10	20	3.14	19.1	3.11								
330RH11B 330SCH11B	5 98 lbs.	839	7248	12958		12654		12343		11680		10930		10083		9215		8146							
				28	3.56	28	3.64	28	3.72	27	3.87	26	3.99	25	4.07	24	4.12	22	4.09						
330RH11B 330SCH11B	5 98 lbs.	839	7248	14186		13908		13626		13036		12395		11673		10888		10091		9164		7774			
				33	4.55	33	4.63	33	4.72	32	4.88	30	5.04	29	5.16	28	5.24	27	5.28	26	5.27	25	5.17		

330 ACRUB-XP / ACSC-XP

Catalog Number	Mtr. HP/ Drv. Wt.	Fan RPM	Tip Speed	CFM at Static Pressure																					
				1.000" SP		1.250" SP		1.500" SP		1.750" SP		2.000" SP		2.250" SP		2.500" SP		3.000" SP		3.500" SP		4.000" SP		4.500" SP	
				Sone	BHP	Sone	BHP	Sone	BHP	Sone	BHP	Sone	BHP	Sone	BHP	Sone	BHP	Sone	BHP	Sone	BHP	Sone	BHP	Sone	BHP
330RX7B 330SX7B	1 36 lbs.	684	5909	3521		2913																			
				13.3	1.01	12.8	1.03																		
330RX8B 330SX8B	1-1/2 38 lbs.	735	6349	4058		3615		2932																	
				15.6	1.23	15.1	1.27	14.5	1.26																
330RX9B 330SX9B	2 50 lbs.	826	7136	4558		4163		3739		3040															
				17.0	1.46	17.1	1.52	16.5	1.56	16.1	1.54														
330RX10B 330SX10B	3 74 lbs.	930	8034	4922		4580		4187		3731		3045													
				18.0	1.65	18.4	1.74	18.0	1.79	17.6	1.81	17.4	1.76												
330RX11B 330SX11B	5 98 lbs.	1057	9131	5266		4976		4613		4236		3699		3092											
				19.3	1.86	19.4	1.96	19.5	2.03	19.1	2.07	18.9	2.08	18.7	2.02										
330RX11B 330SX11B	5 98 lbs.	1057	9131	5798		5560		5269		4925		4576		4124		3496									
				22	2.24	22	2.35	22	2.45	21	2.52	21	2.57	21	2.58	21	2.53								
330RX11B 330SX11B	5 98 lbs.	1057	9131	6317		6104		5870		5588		5263		4937		4557		3487							
				24	2.66	24	2.79	24	2.90	24	3.01	24	3.08	24	3.13	24	3.15	23	3.04						
330RX11B 330SX11B	5 98 lbs.	1057	9131	6822		6623		6419		6190		5918		5611		5305		4463							
				26	3.13	26	3.26	26	3.39	27	3.52	27	3.62	27	3.70	26	3.75	26	3.78						
330RX11B 330SX11B	5 98 lbs.	1057	9131	7325		7132		6945		6748		6525		6265		5976		5389		4434					
				29	3.65	29	3.79	29	3.94	29	4.07	29	4.20	29	4.31	29	4.40	29	4.49	28	4.46				
330RX11B 330SX11B	5 98 lbs.	1057	9131	7817		7629		7451																	

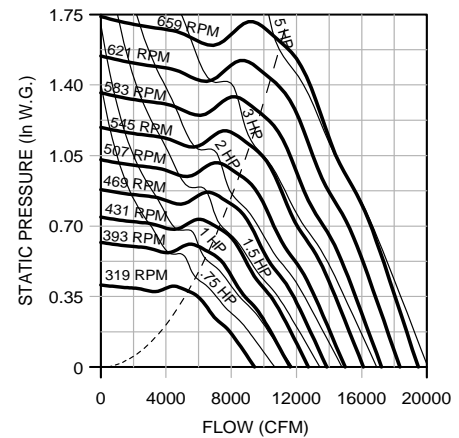
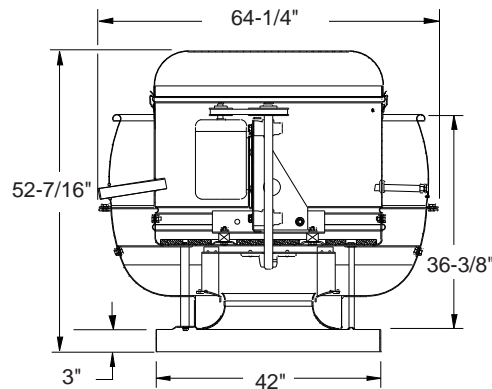
365 ACRUB / ACSC (Std, HP, XP) Data

365 ACRUB / ACSC

Wheel Diameter - 36.5 inches
Tip Speed (FPM) - 9.6 x RPM
Maximum RPM (Standard Wheel) - 624
Maximum RPM (Reinforced Wheel) - 659
Maximum BHP - 18.3 x (RPM/1000)³
Maximum Motor Frame - 213T
Approx. Ship Wt. (Less Motor) - 420 lbs.
Roof Curb - RCG, RCA - 40
Roof Opening - 37-1/2 inches

Material Gauges

Top Cap Lid - .063
Top Cap Cylinder - .050
Baffle - .080
Base - .080

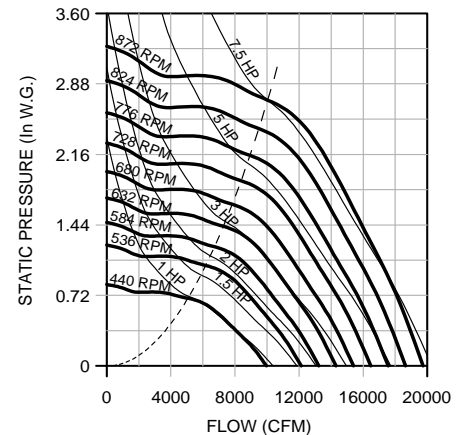
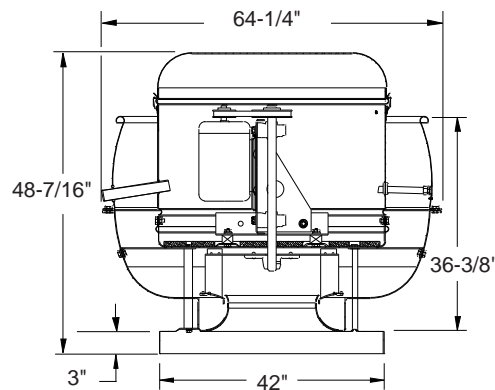


365 ACRUB-HP / ACSC-HP

Wheel Diameter - 36.5 inches
Tip Speed (FPM) - 9.6 x RPM
Maximum RPM (Standard Wheel) - 735
Maximum RPM (Reinforced Wheel) - 872
Maximum BHP - 12.0 x (RPM/1000)³
Maximum Motor Frame - 213T
Approx. Ship Wt. (Less Motor) - 420 lbs.
Roof Curb - RCG, RCA - 40
Roof Opening - 37-1/2 inches

Material Gauges

Top Cap Lid - .063
Top Cap Cylinder - .050
Baffle - .080
Base - .080

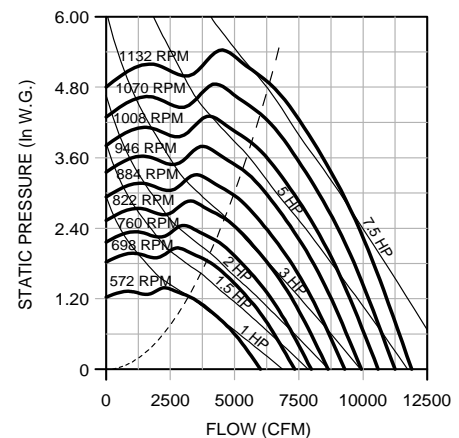
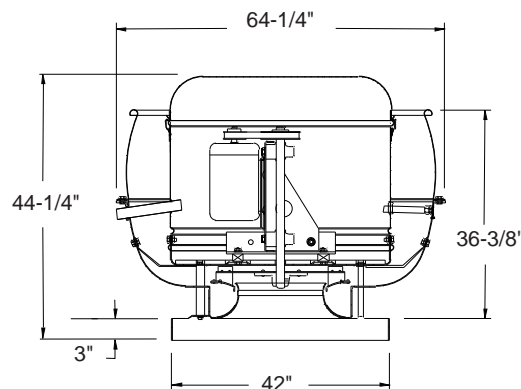


365 ACRUB-XP / ACSC-XP

Wheel Diameter - 36.5 inches
Tip Speed (FPM) - 9.6 x RPM
Maximum RPM - 1132
Maximum BHP - 5.48 x (RPM/1000)³
Maximum Motor Frame - 213T
Approx. Ship Wt. (Less Motor) - 420 lbs.
Roof Curb - RCG, RCA - 40
Roof Opening - 37-1/2 inches

Material Gauges

Top Cap Lid - .063
Top Cap Cylinder - .050
Baffle - .080
Base - .080



Performance certified is for Installation Type A: free inlet, free outlet. Power rating (BHP) does not include transmission losses. Performance ratings do not include the effects of appurtenances (accessories). The sound ratings shown are loudness values in fan sones at 5 ft. (1.5m) in a hemispherical free field calculated per AMCA Standard 301. Values shown are for Installation Type A: free inlet hemispherical sone levels.

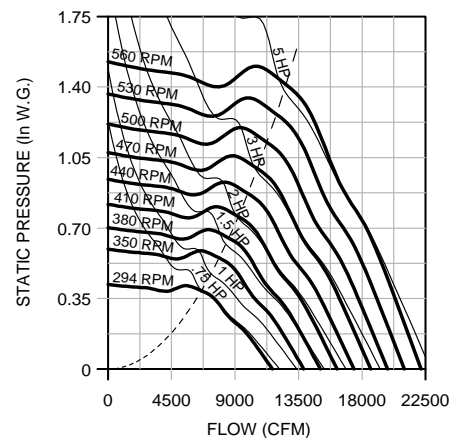
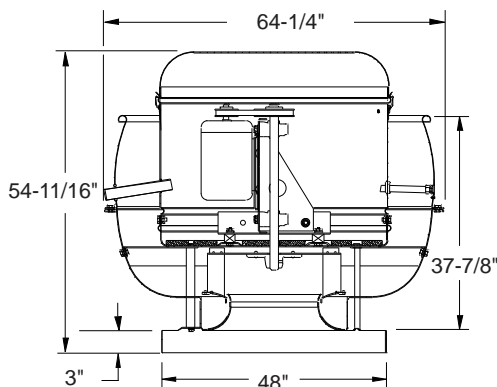
402 - 490 ACRUB / ACSC Data

402 ACRUB / ACSC

Wheel Diameter - 40.25 inches
Tip Speed (FPM) - 10.5 x RPM
Maximum RPM (Standard Wheel) - 539
Maximum RPM (Reinforced Wheel) - 560
Maximum BHP - 29.8 x (RPM/1000)³
Maximum Motor Frame - 213T
Approx. Ship Wt. (Less Motor) - 484 lbs.
Roof Curb - RCG, RCA - 46
Roof Opening - 43-1/2 inches

Material Gauges

Top Cap Lid - .063
Top Cap Cylinder - .050
Baffle - .080
Base - .080

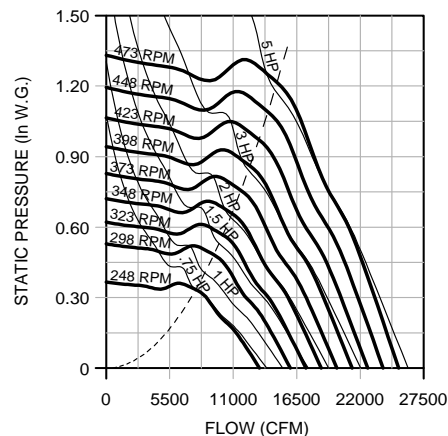
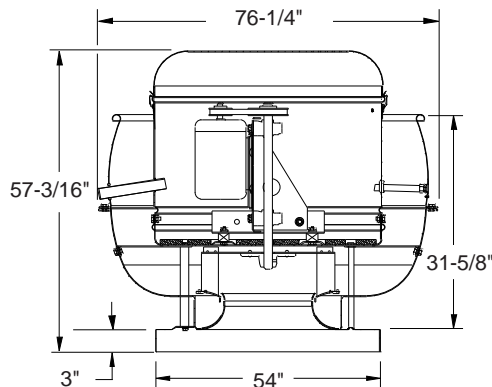


445 ACRUB / ACSC

Wheel Diameter - 44.5 inches
Tip Speed (FPM) - 11.7 x RPM
Maximum RPM (Standard Wheel) - 463
Maximum RPM (Reinforced Wheel) - 473
Maximum BHP - 49.2 x (RPM/1000)³
Maximum Motor Frame - 213T
Approx. Ship Wt. (Less Motor) - 556 lbs.
Roof Curb - RCG, RCA - 52
Roof Opening - 49-1/2 inches

Material Gauges

Top Cap Lid - .063
Top Cap Cylinder - .050
Baffle - .080
Base - .080

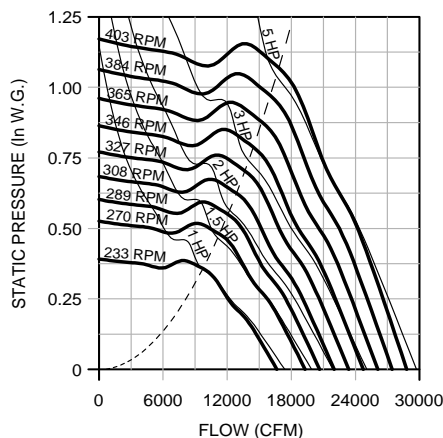
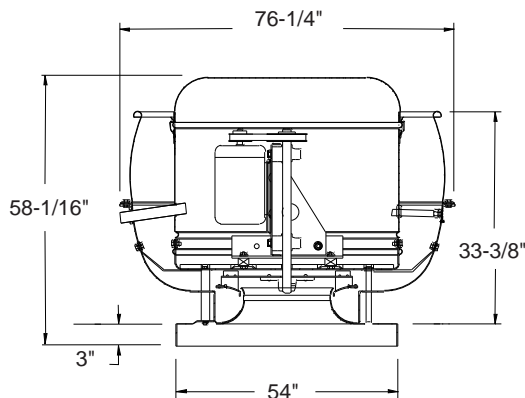


490 ACRUB / ACSC

Wheel Diameter - 49 inches
Tip Speed (FPM) - 12.8 x RPM
Maximum RPM (Standard Wheel) - 360
Maximum RPM (Reinforced Wheel) - 403
Maximum BHP - 79.6 x (RPM/1000)³
Maximum Motor Frame - 213T
Approx. Ship Wt. (Less Motor) - 715 lbs.
Roof Curb - RCG, RCA - 52
Roof Opening - 49-1/2 inches

Material Gauges

Top Cap Lid - .063
Top Cap Cylinder - .050
Baffle - .080
Base - .080



Performance certified is for Installation Type A: free inlet, free outlet. Power rating (BHP) does not include transmission losses. Performance ratings do not include the effects of appurtenances (accessories). The sound ratings shown are loudness values in fan sones at 5 ft. (1.5m) in a hemispherical free field calculated per AMCA Standard 301. Values shown are for Installation Type A: free inlet hemispherical sone levels.

70 - 135 ACWD-EC Data

Catalog Number	HP	Fan RPM	Tip Speed	Max Watts	CFM at Static Pressure																					
					0.00" SP		0.125" SP		0.250" SP		0.375" SP		0.500" SP		0.625" SP		0.750" SP		0.875" SP		1.000" SP		1.250" SP		1.500" SP	
					Sone	Watts	Sone	Watts	Sone	Watts	Sone	Watts	Sone	Watts	Sone	Watts	Sone	Watts	Sone	Watts	Sone	Watts	Sone	Watts	Sone	Watts
70W17DEC	1/4	429	784	5	74																					
					0.2	5																				
		861	1581	12	149																					
					1.6	12																				
		1293	2369	25	223		140																			
4.7	25				4.1	21																				
1725	3160	49	298		238		172		94																	
			6.4	49	5.7	45	5.0	38	4.3	30																
90W17DEC	1/4	465	1095	7	195																					
					0.2	7																				
		885	2085	24	372		218																			
					3.4	24	2.5	20																		
		1305	3074	62	548		456		345		190															
8.6	62				7.7	58	6.9	53	5.9	41																
1725	4064	132	725		659		583		500		405		289													
			12.8	132	12.1	128	11.4	124	10.7	117	9.9	107	9.0	90												
100W17DEC	1/4	468	1225	7	239																					
					0.2	7																				
		887	2322	28	454		305																			
					2.9	28	2.7	26																		
		1306	3419	75	668		578		470																	
7.7	75				7.6	74	7.4	70																		
1725	4516	163	882		817		744		664		572		470													
			11.5	163	11.5	162	11.4	159	11.3	154	10.9	147	10.5	137												
101W17DEC	1/4	468	1225	6	260																					
					0.2	6																				
		887	2322	23	494		392																			
					2.9	21	2.7	23																		
		1306	3419	61	727		653		589		512		359													
7.7	54				7.6	56	7.4	59	6.9	61	6.5	55														
1725	4516	131	960		902		850		803		750		690		626		465									
			11.5	114	11.5	117	11.4	121	11.3	124	10.9	128	10.5	131	10.2	129	9.9	116								
120W17DEC	1/2	471	1479	12	484																					
					0.8	12																				
		889	2792	55	914		795		651																	
					4.9	50	4.8	54	4.1	55																
		1307	4106	156	1343		1264		1182		1093		992		879											
11.5	141				11.5	146	11.2	152	10.7	155	10.1	156	9.5	155												
1725	5419	346	1773		1713		1652		1591		1527		1459		1386		1307		1224							
			17.6	311	17.6	318	17.6	326	17.4	332	17.1	339	16.7	343	16.4	346	16.1	346	15.8	344						
135W17DEC	3/4	561	1982	31	845		607																			
					2.3	29	1.9	31																		
		949	3354	118	1429		1303		1165		1006															
					7.4	106	7.4	112	6.9	117	6.3	118														
		1337	4725	311	2014		1925		1835		1740		1638		1526		1412		1284							
15.1	276				15.1	285	15.1	294	14.7	301	14.2	307	13.5	309	13.1	311	12.7	309								
1725	6096	653	2598		2529		2460		2390		2319		2245		2167		2085		1998		1820		1606			
			22	578	22	590	22	602	22	613	22	623	22	632	21	640	21	646	21	649	20	653	19.5	644		

Performance certified is for Installation Type A: free inlet, free outlet. Performance ratings do not include the effects of appurtenances (accessories). The sound ratings shown are loudness values in fan sones at 5 ft. (1.5m) in a hemispherical free field calculated per AMCA Standard 301. Values shown are for Installation Type A: free inlet hemispherical sone levels.

Catalog Number	Mtr. HP	Fan RPM	Tip Speed	Max. Watts	CFM at Static Pressure																					
					0.000" SP		0.125" SP		0.250" SP		0.375" SP		0.500" SP		0.625" SP		0.750" SP		0.875" SP		1.000" SP		1.250" SP		1.500" SP	
					Sone	BHP	Sone	BHP	Sone	BHP	Sone	BHP	Sone	BHP	Sone	BHP	Sone	BHP	Sone	BHP	Sone	BHP	Sone	BHP	Sone	BHP
70W10DL	1/25	1160	2123	72	100	56																				
70W10DM		1150	2105	75	145	76																				
70W10DH		1050	1922	80	194	89																				
70W15DL	1/20	1720	3112	86	149	117	94																			
70W15DM		1680	3057	92	211	169	116																			
70W15DH		1550	2837	92	274	210	151																			
90W10DL	1/25	1130	2655	80	306	241	167																			
90W10DM		1110	2596	85	391	299	184																			
90W10DH		1050	2478	85	470	353	201																			
90W15DL	1/8	1710	4047	95	462	422	383	340	297	246	168															
90W15DM		1680	3841	118	584	526	467	405	325	242	172															
90W15DH		1550	3658	132	696	616	533	456	384	263	166															
100W10DL	1/25	1100	2882	89	370	304	227																			
100W10DM		1090	2817	90	435	358	256	124																		
100W10DH		1050	2751	94	554	424	261																			
100W15DL	1/8	1650	4362	130	549	509	468	424	376	320	254	177														
100W15DM		1640	4258	139	656	591	537	477	415	346	271	173														
100W15DH		1550	4061	169	816	727	641	554	449	372	240															
101W10D	1/25	1050	2749	-	585	504	399																			
101W11D	1/4	1140	2985	-	635	560	479																			
101W15D	1/8	1550	4058	-	864	808	754	697	628	484																
101W17D	1/6	1725	4516	-	961	911	862	813	760	695	569															
120W10D	1/6	1075	3376	-	1095	998	892	779																		
120W11D	1/6	1140	3581	-	1161	1070	971	868	733																	
120W13D	1/4*	1300	4084	-	1324	1244	1161	1072	981	867																
120W15D		1550	4869	-	1579	1512	1444	1372	1298	1223	1143	1047	872													
120W17D	1/3	1725	5417	-	1757	1697	1637	1574	1509	1442	1374	1227	946													
135W10D	1/6	1075	3795	-	1656	1550	1441	1324	1177																	
135W11D	1/6	1140	4029	-	1756	1657	1555	1447	1325	1140	1325															
135W13D	1/2*	1300	4595	-	2002	1915	1827	1736	1640	1535	1640	1152														
135W15D		1550	5478	-	2387	2315	2241	2167	2091	2012	2091	1841	1736	1358												
135W17D	3/4	1725	6089	-	2657	2592	2526	2459	2392	2323	2253	2180	2103	1922	1614											

Performance certified is for Installation Type A: free inlet, free outlet. Performance ratings do not include the effects of appurtenances (accessories). Speed (RPM) shown for models 70 - 100 is nominal. Performance is based on actual speed of test. Speed (RPM) for all other models is constant and based on actual speed of test. The sound ratings shown are loudness values in fan sones at 5 ft. (1.5m) in a hemispherical free field calculated per AMCA Standard 301. Values shown are for Installation Type A: free inlet hemispherical sone levels. *Motor is a 2-speed 1300/1500 RPM motor.

150 ACWDEC-HP/165-180 ACWDEC-XP Data

150 ACWDEC-HP

Catalog Number	HP	Fan RPM	Tip Speed	Max Watts	CFM at Static Pressure																					
					0" S.P.		0.125" SP		0.250" SP		0.375" SP		0.500" SP		0.625" SP		0.750" SP		0.875" SP		1.000" SP		1.250" SP		1.500" SP	
					Sone	Watts	Sone	Watts	Sone	Watts	Sone	Watts	Sone	Watts	Sone	Watts	Sone	Watts	Sone	Watts	Sone	Watts	Sone	Watts	Sone	Watts
150WH17DEC	1/2	543	2132	20	523		355																			
					1.4	17	1.4	20																		
		937	3679	78	903		819		724		610		471													
					5.0	65	5.0	71	5.0	76	4.8	78	4.4	77												
1331	5226	209	1282		1224		1164		1101		1032		953		871		783		677							
			9.6	171	9.6	179	9.6	186	9.5	195	9.7	201	9.8	205	9.7	208	9.1	209	8.7	206						
1725	6774	443	1662		1617		1572		1525		1478		1429		1377		1321		1260		1134		996			
			14.8	360	14.8	370	14.8	380	14.8	390	14.8	401	14.7	411	14.7	421	14.6	428	14.6	433	14.4	441	13.7	443		

165-180 ACWDEC-XP

Catalog Number	HP	Fan RPM	Tip Speed	Max Watts	CFM at Static Pressure																					
					0" S.P.		0.125" SP		0.250" SP		0.375" SP		0.500" SP		0.625" SP		0.750" SP		0.875" SP		1.000" SP		1.250" SP		1.500" SP	
					Sone	Watts	Sone	Watts	Sone	Watts	Sone	Watts	Sone	Watts	Sone	Watts	Sone	Watts	Sone	Watts	Sone	Watts	Sone	Watts	Sone	Watts
165WX17DEC	1/2	528	2280	20	465		350																			
					2.0	17	1.4	20																		
		927	4004	92	816		756		692		621		548		451											
					6.1	66	5.7	73	5.3	80	5.0	86	4.8	92	4.6	90										
1326	5727	251	1167		1125		1083		1039		993		946		896		845		793		664					
			10.9	176	10.7	186	10.5	197	10.3	207	10.1	217	9.8	226	9.5	234	9.2	242	9.0	251	8.7	250				
1725	7451	522	1518		1486		1454		1421		1388		1354		1320		1284		1248		1171		1093			
			16.4	376	16.3	389	16.1	402	16.0	416	15.8	429	15.7	443	15.5	456	15.3	469	15.0	481	14.6	501	14.2	522		
180WX17DEC	1/4	555	2615	37	639		524		385																	
					2.6	28	2.1	34	1.8	37																
		945	4456	149	1089		1022		954		886		819		736		636		534							
					7.4	107	7.0	116	6.6	125	6.3	133	6.1	139	6.0	146	6.1	149	6.2	148						
1335	6291	400	1538		1491		1443		1395		1347		1298		1251		1205		1157		1038		897			
			13.3	280	13.0	293	12.6	307	12.3	320	12.0	332	11.6	344	11.4	354	11.3	364	11.2	372	11.1	390	11.5	400		
1725	8128	774	1987		1950		1914		1877		1840		1803		1766		1728		1691		1617		1545			
			20	589	19.7	607	19.4	624	19.1	641	18.8	658	18.5	675	18.2	691	18.1	707	17.9	722	17.7	750	17.6	774		

Performance certified is for Installation Type A: free inlet, free outlet. Performance ratings do not include the effects of appurtenances (accessories). The sound ratings shown are loudness values in fan sones at 5 ft. (1.5m) in a hemispherical free field calculated per AMCA Standard 301. Values shown are for Installation Type A: free inlet hemispherical sone levels.

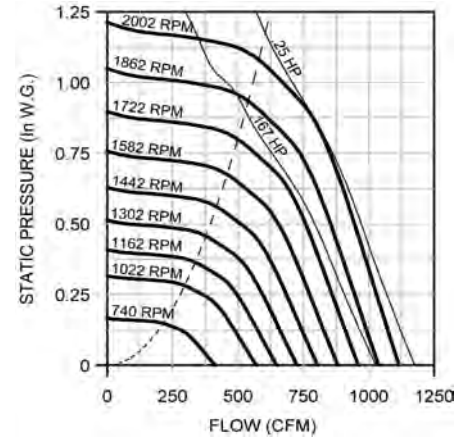
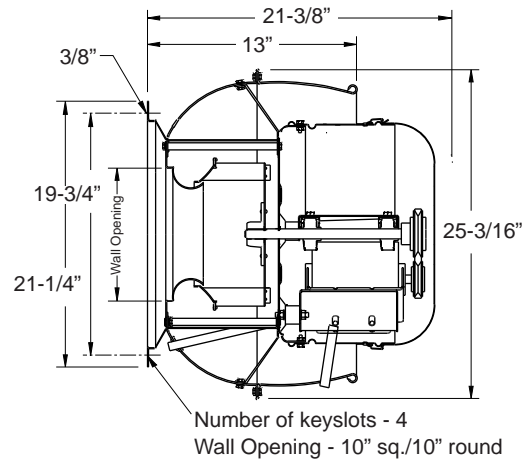
100 - 135 ACWB Data

100 ACWB

Wheel Diameter - 10"
Tip Speed (FPM) - 2.6 x RPM
Maximum RPM - 2002
Maximum BHP - .031 x (RPM/1000)³
Maximum Motor Frame - 48
Approx. Ship Wt. (Less Motor) - 30 lbs.
Number of Keyslots - 4 for 3/8" bolt
Wall Opening (Round) - 10"
Wall Opening (Square) - 10"

Material Gauges

Top Cap Lid - .050
Top Cap Cylinder - .040
Baffle - .063
Base - .080

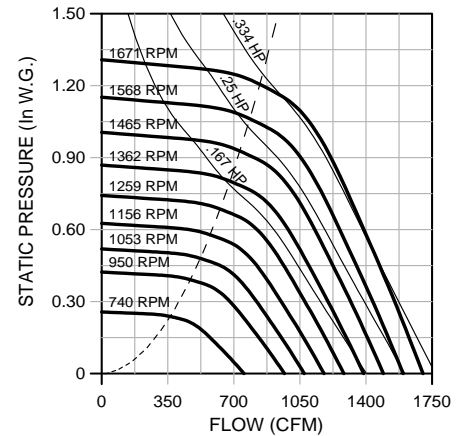
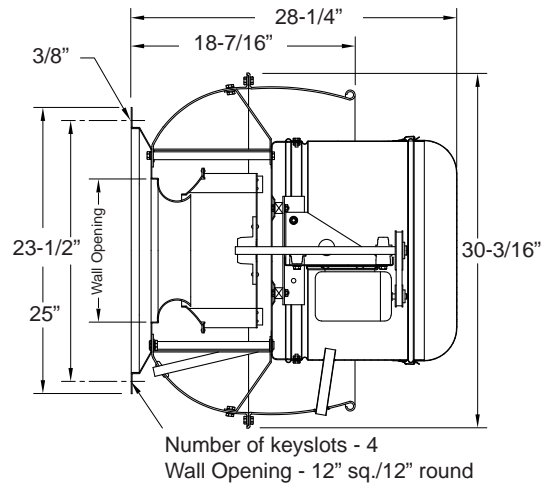


120 ACWB

Wheel Diameter - 12"
Tip Speed (FPM) - 3.1 x RPM
Maximum RPM - 1671
Maximum BHP - .072 x (RPM/1000)³
Maximum Motor Frame - 56
Approx. Ship Wt. (Less Motor) - 60 lbs.
Number of Keyslots - 4 for 3/8" bolt
Wall Opening (Round) - 12"
Wall Opening (Square) - 12"

Material Gauges

Top Cap Lid - .050
Top Cap Cylinder - .040
Baffle - .063
Base - .080

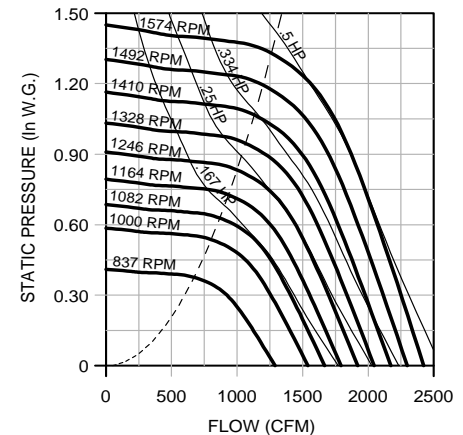
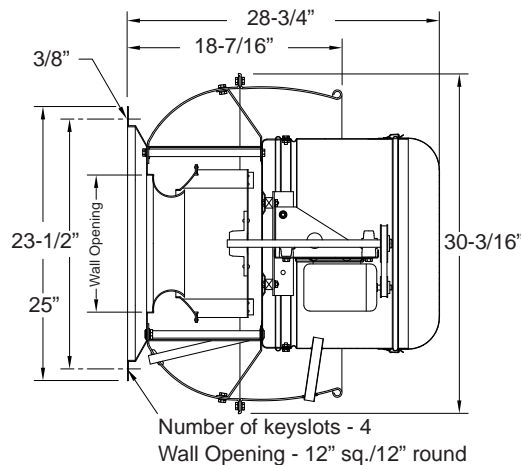


135 ACWB

Wheel Diameter - 13.5"
Tip Speed (FPM) - 3.5 x RPM
Maximum RPM - 1574
Maximum BHP - .13 x (RPM/1000)³
Maximum Motor Frame - 56
Approx. Ship Wt. (Less Motor) - 65 lbs.
Number of Keyslots - 4 for 3/8" bolt
Wall Opening (Round) - 12"
Wall Opening (Square) - 12"

Material Gauges

Top Cap Lid - .050
Top Cap Cylinder - .040
Baffle - .063
Base - .080



Performance certified is for Installation Type A: free inlet, free outlet. Power rating (BHP) does not include transmission losses. Performance ratings do not include the effects of appurtenances (accessories). The sound ratings shown are loudness values in fan sones at 5 ft. (1.5m) in a hemispherical free field calculated per AMCA Standard 301. Values shown are for Installation Type A: free inlet hemispherical sone levels.

100 ACWB

Catalog Number	Mtr. HP/ Drv. Wt.	Fan RPM	Tip Speed	CFM at Static Pressure																					
				0.000" SP		0.125" SP		0.250" SP		0.375" SP		0.500" SP		0.625" SP		0.750" SP		0.875" SP		1.000" SP		1.250" SP		1.500" SP	
				Sone	BHP	Sone	BHP	Sone	BHP	Sone	BHP	Sone	BHP	Sone	BHP	Sone	BHP	Sone	BHP	Sone	BHP	Sone	BHP	Sone	BHP
100W2B	1/6* 15 lbs.	740	1937	412		279																			
				1.7	.01	1.6	.01																		
		940	2460	524		433																			
				3.5	.02	3.3	.02																		
		1140	2984	635		560		479																	
				5.8	.04	5.7	.04	5.3	.05																
1340	3508	747		683		619		542																	
		8.0	.06	7.9	.07	7.7	.07	7.3	.07																
1540	4031	858		802		747		690		619		469													
		9.8	.10	9.7	.10	9.6	.11	9.3	.11	8.9	.11	8.5	.10												
1742	4560	970		921		872		824		772		709		592											
		11.7	.14	11.6	.15	11.5	.15	11.4	.16	11.1	.16	10.7	.16	10.3	.16										
100W3B	1/4* 15 lbs.	1807	4730	1007		959		912		865		817		761		678		531							
				12.4	.16	12.3	.16	12.3	.17	12.2	.17	11.9	.18	11.5	.18	11.2	.18	10.9	.16						
		1872	4900	1043		997		951		906		860		810		745		626							
				13.1	.17	13.1	.18	13.0	.19	12.9	.19	12.7	.19	12.4	.20	12.1	.20	11.8	.19						
		1937	5071	1079		1035		991		947		903		856		801		714		576					
		14.1	.19	14.0	.20	13.9	.21	13.8	.21	13.6	.21	13.2	.22	13.0	.22	12.77	.22	12.4	.20						
2002	5241	1115		1072		1030		988		945		901		851		786		671							
		15.2	.21	15.1	.22	15.0	.23	14.9	.23	14.8	.24	14.4	.24	14.0	.25	13.6	.25	13.3	.24						

*1/6 & 1/4 HP motor available only in single phase ODP type.

120 ACWB

Catalog Number	Mtr. HP/ Drv. Wt.	Fan RPM	Tip Speed	CFM at Static Pressure																					
				0.000" SP		0.125" SP		0.250" SP		0.375" SP		0.500" SP		0.625" SP		0.750" SP		0.875" SP		1.000" SP		1.250" SP		1.500" SP	
				Sone	BHP	Sone	BHP	Sone	BHP	Sone	BHP	Sone	BHP	Sone	BHP	Sone	BHP	Sone	BHP	Sone	BHP	Sone	BHP	Sone	BHP
120W2B	1/6 15 lbs.	904	2840	921		803		673																	
				5.2	.05	5.0	.05	4.4	.05																
		1037	3257	1056		955		845		722															
				7.0	.07	7.0	.08	6.5	.08	5.9	.08														
1170	3675	1192		1103		1008		908		788															
		9.2	.10	9.2	.11	8.9	.11	8.2	.12	7.6	.12														
1302	4090	1326		1247		1163		1075		983		871													
		11.4	.14	11.4	.15	11.1	.16	10.7	.16	10.0	.16	9.4	.16												
120W3B	1/4 15 lbs.	1367	4294	1393		1317		1238		1154		1069		975		832									
				12.2	.16	12.2	.17	12.0	.18	11.7	.18	11.0	.19	10.4	.19	10.0	.19								
		1432	4498	1459		1386		1312		1233		1152		1067		964		747							
		13.1	.19	13.1	.20	12.9	.21	12.6	.21	12.0	.21	11.6	.22	11.3	.22	10.9	.20								
1496	4699	1524		1455		1384		1309		1232		1153		1066		944									
		14.0	.21	14.0	.22	13.9	.23	13.6	.24	13.2	.24	12.8	.25	12.5	.25	12.2	.25								
120W4B	1/3 19 lbs.	1549	4866	1578		1511		1443		1371		1297		1222		1142		1045		869					
				14.9	.24	14.9	.25	14.9	.26	14.5	.26	14.2	.27	13.8	.27	13.5	.27	13.2	.28	12.9	.26				
		1602	5032	1632		1567		1502		1433		1361		1289		1214		1130		1015					
		15.8	.26	15.8	.27	15.8	.28	15.5	.29	15.1	.30	14.8	.30	14.5	.30	14.2	.30	13.9	.30						
1655	5199	1686		1623		1560		1494		1425		1355		1284		1208		1116							
		16.6	.29	16.6	.30	16.6	.31	16.3	.32	16.0	.32	15.6	.33	15.3	.33	15.0	.34	14.7	.34						

135 ACWB

Catalog Number	Mtr. HP/ Drv. Wt.	Fan RPM	Tip Speed	CFM at Static Pressure																					
				0.000" SP		0.125" SP		0.250" SP		0.375" SP		0.500" SP		0.625" SP		0.750" SP		0.875" SP		1.000" SP		1.250" SP		1.500" SP	
				Sone	BHP	Sone	BHP	Sone	BHP	Sone	BHP	Sone	BHP	Sone	BHP	Sone	BHP	Sone	BHP	Sone	BHP	Sone	BHP	Sone	BHP
135W2B	1/6 15 lbs.	837	2958	1289		1152		1001		676															
				5.7	.06	5.6	.07	5.0	.08	4.4	.07														
		957	3382	1474		1355		1230		1081															
		7.6	.10	7.5	.11	7.1	.11	6.5	.11																
1078	3809	1660		1555		1447		1330		1184															
		9.8	.14	9.8	.15	9.5	.16	8.9	.16	8.3	.16														
135W3B	1/4 15 lbs.	1132	4000	1744		1643		1541		1432		1308		1113											
				11.0	.16	11.0	.17	10.7	.18	10.1	.18	9.5	.19	8.9	.19										
		1186	4191	1827		1731		1634		1532		1420		1275		971									
		12.2	.18	12.2	.20	12.0	.21	11.5	.21	10.8	.22	10.2	.22	9.7	.20										
1240	4382	1910		1819		1726		1629		1527		1406		1219											
		13.5	.21	13.5	.22	13.3	.23	12.9	.24	12.2	.24	11.6	.25	11.0	.24										
135W4B	1/3 19 lbs.	1306	4615	2012		1925		1837		1747		1652		1548		1415		1182							
				14.7	.24	14.7	.26	14.6	.27	14.1	.28	13.6	.28	12.9	.29	12.4	.29	12.0	.28						
1371	4845	2112		2029		1946		1860		1772		1677		1569		1419		1130							
		15.7	.28	15.7	.30	15.7	.31	15.3	.32	14.9	.33	14.2	.33	13.8	.33	13.5	.33	13.1	.30						
135W5B	1/2 23 lbs.	1473	5206	2269		2192		2115		2036		1955		1871		1781		1677		1538					
				17.4	.35	17.4	.37	17.4	.38	17.1	.40	16.8	.40	16.5	.41	16.1	.41	15.7	.41	15.4	.42				
1574	5562	2424		2353		2280		2207		2132		2055		1975		1889		1791		1470					
		19.5	.43	19.5	.45	19.5	.46	19.3	.48	19.0	.49	18.7	.49	18.3	.50	18.0	.50	17.7	.51	17.1	.49				

Performance certified is for Installation Type A: free inlet, free outlet. Power rating (BHP) does not include transmission losses. Performance ratings do not include the effects of appurtenances (accessories). The sound ratings shown are loudness values in fan sones at 5 ft. (1.5m) in a hemispherical free field calculated per AMCA Standard 301. Values shown are for Installation Type A: free inlet hemispherical sone levels.

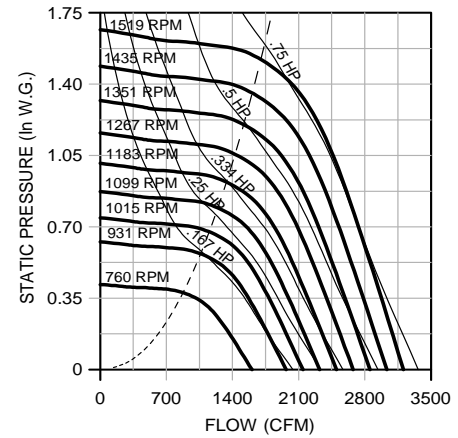
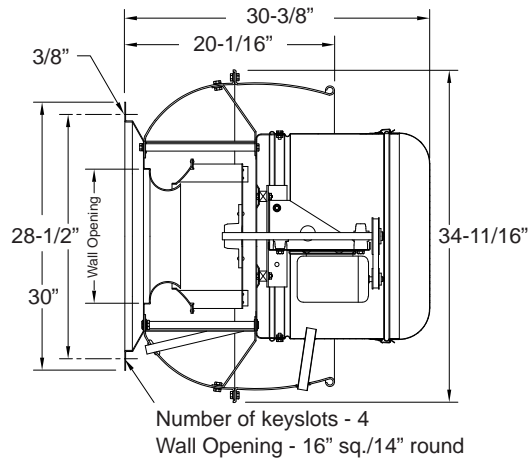
150 ACWB (Std, HP) Data

150 ACWB

Wheel Diameter - 15"
Tip Speed (FPM) - 3.9 x RPM
Maximum RPM - 1520
Maximum BHP - .22 x (RPM/1000)³
Maximum Motor Frame - 56
Approx. Ship Wt. (Less Motor) - 70 lbs.
Number of Keyslots - 4 for 3/8" bolt
Wall Opening (Round) - 14"
Wall Opening (Square) - 16"

Material Gauges

Top Cap Lid - .050
Top Cap Cylinder - .040
Baffle - .063
Base - .100

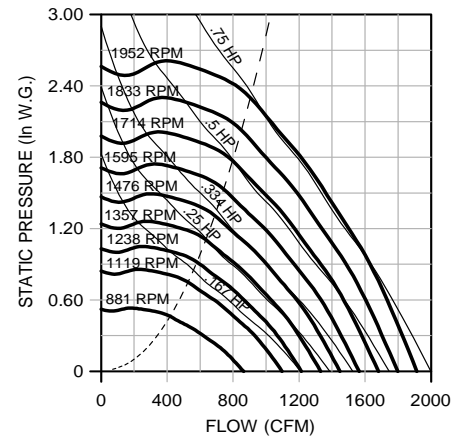
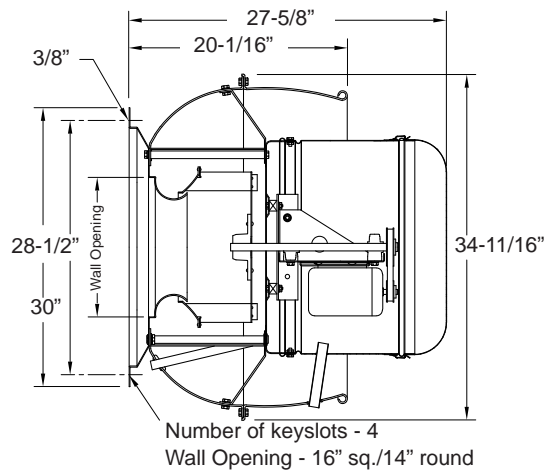


150 ACWB-HP

Wheel Diameter - 15"
Tip Speed (FPM) - 3.9 x RPM
Maximum RPM - 1952
Maximum BHP - .22 x (RPM/1000)³
Maximum Motor Frame - 56
Approx. Ship Wt. (Less Motor) - 70 lbs.
Number of Keyslots - 4 for 3/8" bolt
Wall Opening (Round) - 14"
Wall Opening (Square) - 16"

Material Gauges

Top Cap Lid - .050
Top Cap Cylinder - .040
Baffle - .063
Base - .100



Performance certified is for Installation Type A: free inlet, free outlet. Power rating (BHP) does not include transmission losses. Performance ratings do not include the effects of appurtenances (accessories). The sound ratings shown are loudness values in fan sones at 5 ft. (1.5m) in a hemispherical free field calculated per AMCA Standard 301. Values shown are for Installation Type A: free inlet hemispherical sone levels.

150 ACWB

Catalog Number	Mtr. HP/ Drv. Wt.	Fan RPM	Tip Speed	CFM at Static Pressure																					
				0.000" SP		0.125" SP		0.250" SP		0.375" SP		0.500" SP		0.625" SP		0.750" SP		0.875" SP		1.000" SP		1.250" SP		1.500" SP	
				Sone	BHP	Sone	BHP	Sone	BHP	Sone	BHP	Sone	BHP	Sone	BHP	Sone	BHP	Sone	BHP	Sone	BHP	Sone	BHP	Sone	BHP
150W2B	1/6	760	2984	1606		1439		1254		889															
		832	3267	1758		1606		1444		1238															
	15 lbs.	904	3550	1910		1770		1625		1462		1193													
150W3B	1/4	972	3817	2054		1924		1790		1647		1468													
		1040	4084	2198		2076		1952		1822		1677		1469											
	15 lbs.	1149	4512	2428		2318		2207		2093		1971		1835		1648									
150W4B	1/3	1149	4512	2610		2508		2405		2299		2190		2074		1940		1756							
		19 lbs.	1235	4849	2789		2694		2598		2500		2400		2295		2183		2052		1877				
	150W5B	23 lbs.	1320	5183	18.4 .43		18.4 .45		18.4 .47		18.0 .48		17.6 .49		17.1 .50		16.5 .50		16.0 .51		15.7 .51				
150W6B	3/4	1420	5576	3001		2912		2823		2733		2641		2546		2447		2342		2221		1834			
		31 lbs.	1519	5965	20 .53		20 .55		20 .58		20 .59		19.8 .61		19.4 .61		19.0 .62		18.6 .62		18.3 .63		17.6 .61		
					3210		3127		3044		2960		2875		2788		2698		2605		2506		2260		
				23 .65		23 .67		23 .70		23 .72		22 .73		22 .75		22 .75		21 .76		21 .76		20 .77			

150 ACWB-HP

Catalog Number	Mtr. HP/ Drv. Wt.	Fan RPM	Tip Speed	CFM at Static Pressure																					
				0.250" SP		0.375" SP		0.500" SP		0.750" SP		1.000" SP		1.250" SP		1.500" SP		1.750" SP		2.000" SP		2.250" SP		2.500" SP	
				Sone	BHP	Sone	BHP	Sone	BHP	Sone	BHP	Sone	BHP	Sone	BHP	Sone	BHP	Sone	BHP	Sone	BHP	Sone	BHP	Sone	BHP
150WH2B	1/6	881	3459	672		536		339																	
		15 lbs.	1162	4563	1012		932		835		606														
	150WH3B	1/4	1249	4904	1108		1039		954		763		491												
150WH4B	1/3	1407	5525	1277		1221		1158		1000		818		587											
		19 lbs.	1478	5804	1352		1300		1242		1098		940		743										
	150WH5B	1/2	1587	6232	1466		1419		1368		1245		1102		940		753								
150WH6B	3/4	1824	7162	1711		1671		1629		1538		1427		1301		1174		1014		852					
		31 lbs.	1952	7665	16.2 .56		16.2 .57		16.2 .58		16.2 .60		16.2 .62		16.1 .63		15.6 .63		15.1 .62		14.7 .60				
					1842		1805		1766		1685		1591		1477		1361		1239		1087		938		
				18.5 .68		18.5 .69		18.5 .71		18.4 .73		18.3 .75		18.3 .77		18.3 .77		17.8 .77		17.4 .76		17.1 .74			

Performance certified is for Installation Type A: free inlet, free outlet. Power rating (BHP) does not include transmission losses. Performance ratings do not include the effects of appurtenances (accessories). The sound ratings shown are loudness values in fan sones at 5 ft. (1.5m) in a hemispherical free field calculated per AMCA Standard 301. Values shown are for Installation Type A: free inlet hemispherical sone levels.

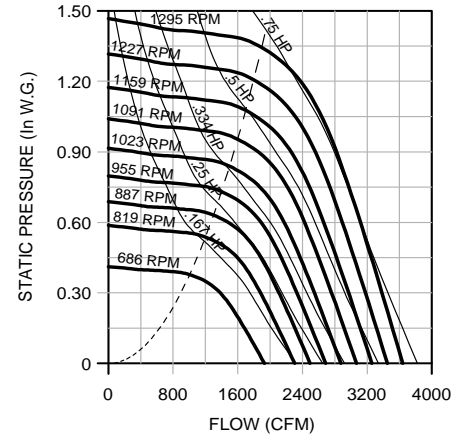
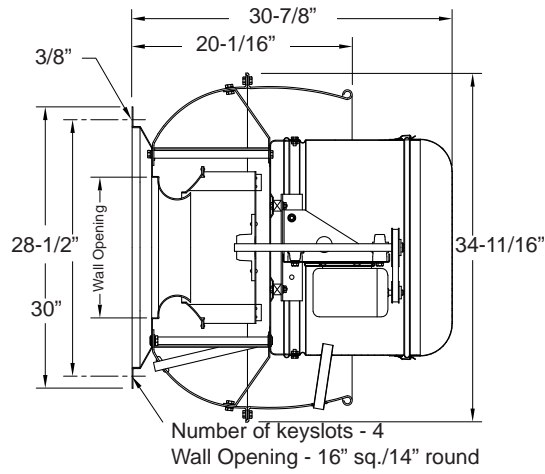
165 ACWB (Std, HP, XP) Data

165 ACWB

Wheel Diameter - 16.5"
Tip Speed (FPM) - 4.3 x RPM
Maximum RPM - 1295
Maximum BHP - .35 x (RPM/1000)³
Maximum Motor Frame - 56
Approx. Ship Wt. (Less Motor) - 75 lbs.
Number of Keyslots - 4 for 3/8" bolt
Wall Opening (Round) - 14"
Wall Opening (Square) - 16"

Material Gauges

Top Cap Lid - .050
Top Cap Cylinder - .040
Baffle - .063
Base - .100

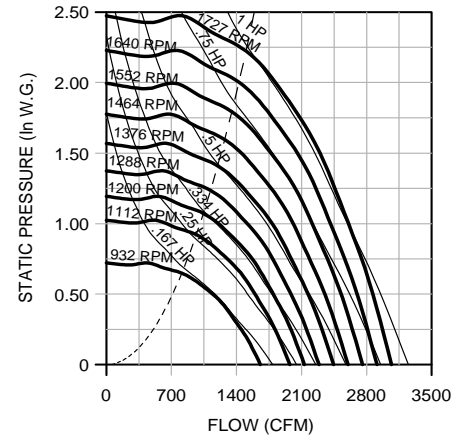
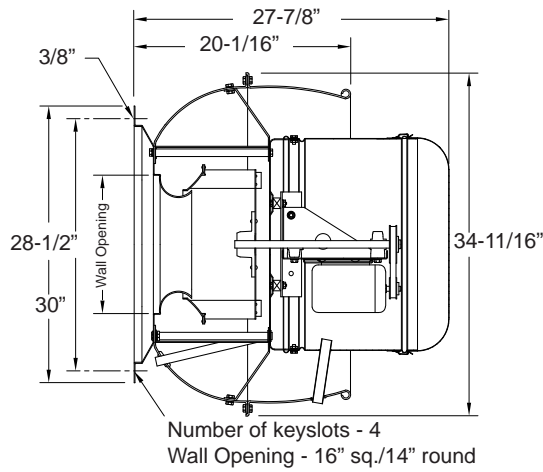


165 ACWB-HP

Wheel Diameter - 16.5"
Tip Speed (FPM) - 4.3 x RPM
Maximum RPM - 1728
Maximum BHP - .35 x (RPM/1000)³
Maximum Motor Frame - 56
Approx. Ship Wt. (Less Motor) - 75 lbs.
Number of Keyslots - 4 for 3/8" bolt
Wall Opening (Round) - 14"
Wall Opening (Square) - 16"

Material Gauges

Top Cap Lid - .050
Top Cap Cylinder - .040
Baffle - .063
Base - .100

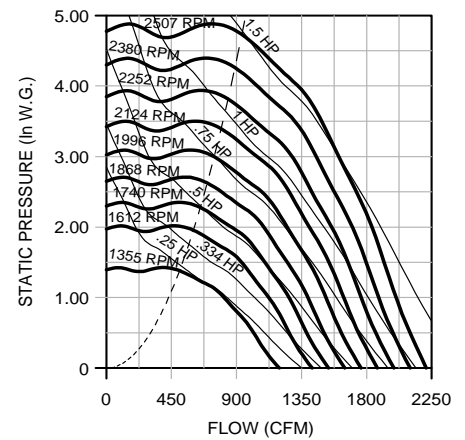
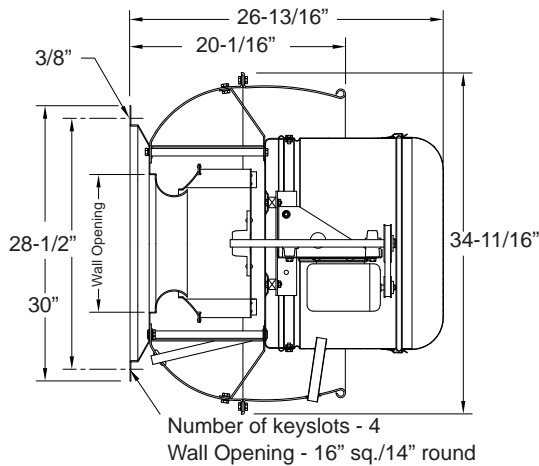


165 ACWB-XP

Wheel Diameter - 16.5"
Tip Speed (FPM) - 4.3 x RPM
Maximum RPM - 2508
Maximum BHP - .35 x (RPM/1000)³
Maximum Motor Frame - 56
Approx. Ship Wt. (Less Motor) - 75 lbs.
Number of Keyslots - 4 for 3/8" bolt
Wall Opening (Round) - 14"
Wall Opening (Square) - 16"

Material Gauges

Top Cap Lid - .050
Top Cap Cylinder - .040
Baffle - .063
Base - .100



Performance certified is for Installation Type A: free inlet, free outlet. Power rating (BHP) does not include transmission losses. Performance ratings do not include the effects of appurtenances (accessories). The sound ratings shown are loudness values in fan zones at 5 ft. (1.5m) in a hemispherical free field calculated per AMCA Standard 301. Values shown are for Installation Type A: free inlet hemispherical sound levels.

165 ACWB

Catalog Number	Mtr. HP/ Drv. Wt.	Fan RPM	Tip Speed	CFM at Static Pressure																							
				0.000" SP		0.125" SP		0.250" SP		0.375" SP		0.500" SP		0.625" SP		0.750" SP		0.875" SP		1.000" SP		1.250" SP		1.500" SP			
				Sone	BHP	Sone	BHP	Sone	BHP	Sone	BHP	Sone	BHP	Sone	BHP	Sone	BHP	Sone	BHP	Sone	BHP	Sone	BHP	Sone	BHP	Sone	BHP
165W2B	1/6 15 lbs.	686	2963	1929		1725		1500		1024																	
		771	3330	6.3	.10	6.2	.11	5.5	.11	4.8	.10																
			2168		1988		1797		1564																		
165W3B	1/4 15 lbs.	829	3581	2331		2164		1990		1796		1492															
		887	3831	8.7	.17	8.7	.19	8.3	.20	7.7	.20	7.1	.20														
			2494		2338		2177		2004		1792		1337														
165W4B	1/3 19 lbs.	933	4030	2624		2475		2323		2163		1981		1706													
		980	4233	11.1	.24	11.1	.26	10.8	.28	10.3	.28	9.7	.29	9.1	.29												
			2756		2615		2471		2320		2157		1950		1550												
165W5B	1/2 23 lbs.	1052	4544	2958		2827		2694		2556		2411		2249		2033		1608									
		1125	4859	14.3	.35	14.3	.37	14.1	.39	13.7	.40	13.2	.41	12.6	.41	12.1	.41	11.6	.38								
			3164		3041		2917		2790		2657		2517		2356		2138		1723								
165W6B	3/4 31 lbs.	1210	5226	3403		3289		3174		3057		2936		2811		2677		2525		2323							
		1295	5594	19.2	.53	19.2	.56	19.2	.58	18.8	.60	18.5	.61	17.9	.62	17.2	.62	16.6	.63	16.2	.63						
			3642		3535		3428		3319		3208		3094		2975		2848		2705		2251						
				22	.65	22	.68	22	.70	21	.72	21	.74	21	.75	20	.76	19.4	.76	18.9	.77	18.1	.75				

165 ACWB-HP

Catalog Number	Mtr. HP/ Drv. Wt.	Fan RPM	Tip Speed	CFM at Static Pressure																							
				0.250" SP		0.375" SP		0.500" SP		0.750" SP		1.000" SP		1.250" SP		1.500" SP		1.750" SP		2.000" SP		2.250" SP		2.500" SP			
				Sone	BHP	Sone	BHP	Sone	BHP	Sone	BHP	Sone	BHP	Sone	BHP	Sone	BHP	Sone	BHP	Sone	BHP	Sone	BHP	Sone	BHP	Sone	BHP
165WH2B	1/6 15 lbs.	932	4025	1450		1314		1141																			
				6.7	.16	6.5	.16	6.2	.16																		
165WH3B	1/4 15 lbs.	1072	4630	1736		1626		1507		1165																	
				8.7	.23	8.4	.24	8.3	.25	8.0	.24																
165WH4B	1/3 19 lbs.	1128	4872	1846		1747		1635		1355																	
		1185	5118	9.5	.26	9.3	.28	9.1	.29	8.8	.29																
			1957		1866		1762		1527		1142																
165WH5B	1/2 23 lbs.	1273	5498	2125		2046		1954		1752		1466															
		1361	5879	12.1	.37	11.8	.39	11.5	.40	11.1	.41	11.2	.41														
			2291		2221		2140		1956		1742		1421														
165WH6B	3/4 31 lbs.	1463	6319	2482		2419		2349		2184		2007		1771		1448											
		1566	6764	15.1	.55	14.9	.57	14.7	.59	14.1	.61	13.7	.63	13.7	.63	13.8	.61										
			2673		2615		2553		2408		2246		2069		1819		1503										
165WH7B	1 36 lbs.	1646	7110	2820		2767		2709		2577		2426		2268		2074		1809		1467							
		1727	7460	18.2	.77	18.2	.79	18.0	.81	17.4	.85	16.9	.88	16.4	.90	16.2	.90	16.1	.88	16.2	.85						
			2969		2918		2865		2745		2604		2457		2297		2082		1817								
				19.6	.89	19.6	.91	19.5	.93	19.0	.97	18.5	1.01	18.1	1.03	17.8	1.04	17.6	1.03	17.4	1.02						

165 ACWB-XP

Catalog Number	Mtr. HP/ Drv. Wt.	Fan RPM	Tip Speed	CFM at Static Pressure																							
				1.000" SP		1.250" SP		1.500" SP		1.750" SP		2.000" SP		2.250" SP		2.500" SP		3.000" SP		3.500" SP		4.000" SP		4.500" SP			
				Sone	BHP	Sone	BHP	Sone	BHP	Sone	BHP	Sone	BHP	Sone	BHP	Sone	BHP	Sone	BHP	Sone	BHP	Sone	BHP	Sone	BHP	Sone	BHP
165WX3B	1/4 15 lbs.	1355	5853	814		637																					
				9.4	.24	9.1	.25																				
165WX4B	1/3 19 lbs.	1498	6470	988		889		728																			
				11.7	.32	11.3	.33	10.9	.33																		
165WX5B	1/2 23 lbs.	1609	6950	1121		1025		931		766		519															
		1720	7429	13.3	.38	12.9	.40	12.5	.41	12.3	.41	12.0	.37														
			1243		1160		1072		981		818		614														
165WX6B	3/4 31 lbs.	1850	7991	1376		1310		1229		1148		1065		926		753											
		1979	8548	16.9	.56	16.5	.58	16.1	.59	15.7	.61	15.5	.62	15.3	.63	15.2	.61										
			1503		1448		1382		1304		1229		1152		1040		681										
165WX7B	1 36 lbs.	2081	8989	1601		1551		1495		1427		1352		1281		1207		947									
		2183	9129	21	.76	20	.79	20	.82	19.6	.84	19.1	.85	18.7	.87	18.6	.88	18.5	.89								
			1698		1651		1602		1544		1476		1405		1338		1170		876								
165WX8B	1-1/2 38 lbs.	2345	10129	1851		1807		1764		1717		1663		1601		1534		1408		1238		964					
		2507	10829	26	1.05	25	1.09	25	1.12	25	1.15	24	1.18	24	1.20	23	1.22	23	1.25	22	1.29	22	1.24				
			2003		1961		1921		1880		1836		1786		1729		1606		1488		1324		1068				
				29	1.26	29	1.30	28	1.34	28	1.37	27	1.41	27	1.44	27	1.46	26	1.50	25	1.54	25	1.57	25	1.53		

Performance certified is for Installation Type A: free inlet, free outlet. Power rating (BHP) does not include transmission losses. Performance ratings do not include the effects of appurtenances (accessories). The sound ratings shown are loudness values in fan sones at 5 ft. (1.5m) in a hemispherical free field calculated per AMCA Standard 301. Values shown are for Installation Type A: free inlet hemispherical sone levels.

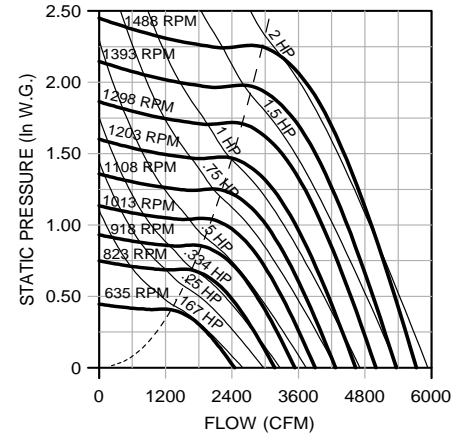
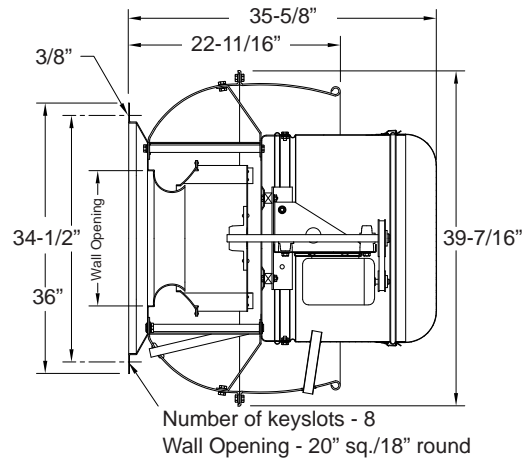
180 ACWB (Std, HP, XP) Data

180 ACWB

Wheel Diameter - 18"
Tip Speed (FPM) - 4.7 x RPM
Maximum RPM - 1546
Maximum BHP - .57 x (RPM/1000)³
Maximum Motor Frame - 145T
Approx. Ship Wt. (Less Motor) - 100 lbs.
Number of Keyslots - 8 for 3/8" bolt
Wall Opening (Round) - 18"
Wall Opening (Square) - 20"

Material Gauges

Top Cap Lid - .050
Top Cap Cylinder - .040
Baffle - .080
Base - .100

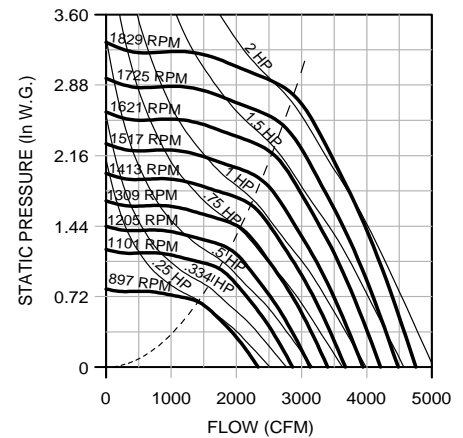
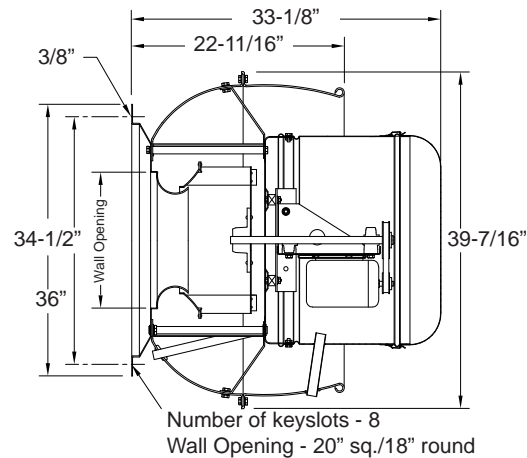


180 ACWB-HP

Wheel Diameter - 18"
Tip Speed (FPM) - 4.7 x RPM
Maximum RPM - 1829
Maximum BHP - .57 x (RPM/1000)³
Maximum Motor Frame - 145T
Approx. Ship Wt. (Less Motor) - 100 lbs.
Number of Keyslots - 8 for 3/8" bolt
Wall Opening (Round) - 18"
Wall Opening (Square) - 20"

Material Gauges

Top Cap Lid - .050
Top Cap Cylinder - .040
Baffle - .080
Base - .100

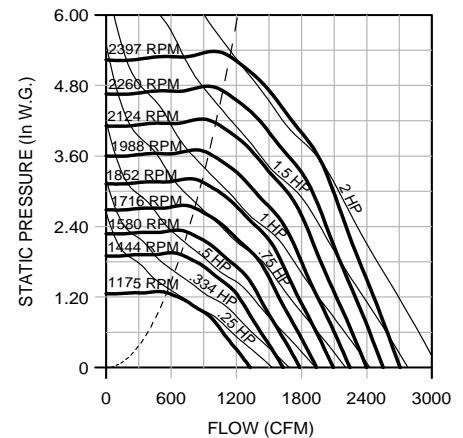
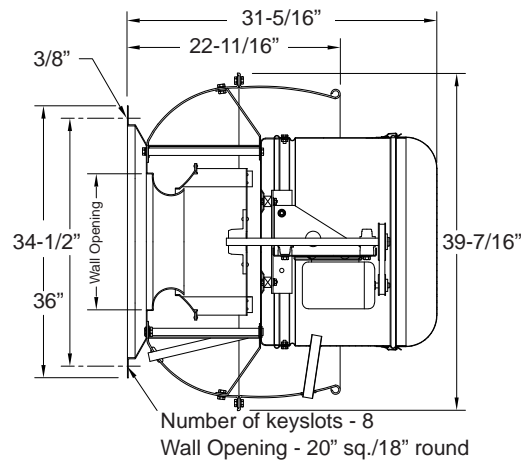


180 ACWB-XP

Wheel Diameter - 18"
Tip Speed (FPM) - 4.7 x RPM
Maximum RPM - 2396
Maximum BHP - .57 x (RPM/1000)³
Maximum Motor Frame - 145T
Approx. Ship Wt. (Less Motor) - 100 lbs.
Number of Keyslots - 8 for 3/8" bolt
Wall Opening (Round) - 18"
Wall Opening (Square) - 20"

Material Gauges

Top Cap Lid - .050
Top Cap Cylinder - .040
Baffle - .080
Base - .100



Performance certified is for Installation Type A: free inlet, free outlet. Power rating (BHP) does not include transmission losses. Performance ratings do not include the effects of appurtenances (accessories). The sound ratings shown are loudness values in fan zones at 5 ft. (1.5m) in a hemispherical free field calculated per AMCA Standard 301. Values shown are for Installation Type A: free inlet hemispherical sound levels.

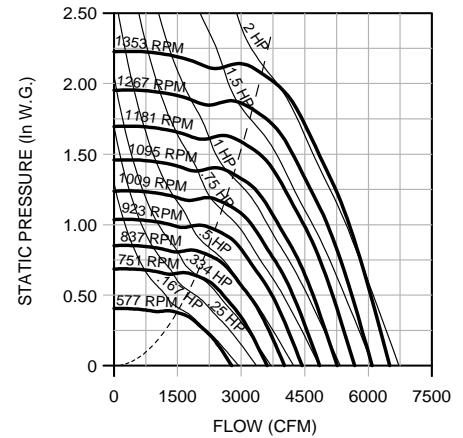
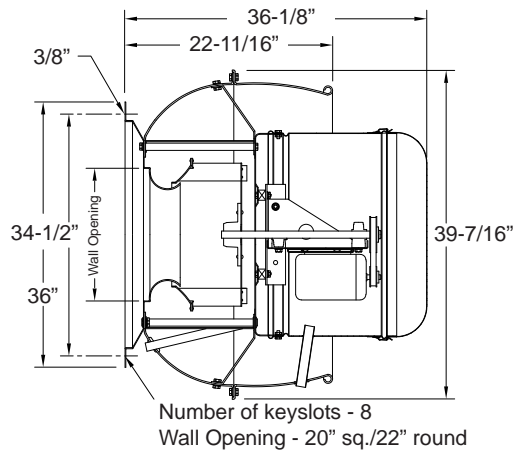
195 ACWB (Std, HP, XP) Data

195 ACWB

Wheel Diameter - 19.5"
Tip Speed (FPM) - 5.1 x RPM
Maximum RPM - 1353
Maximum BHP - .85 x (RPM/1000)³
Maximum Motor Frame - 145T
Approx. Ship Wt. (Less Motor) - 110 lbs.
Number of Keyslots - 8 for 3/8" bolt
Wall Opening (Round) - 22"
Wall Opening (Square) - 20"

Material Gauges

Top Cap Lid - .050
Top Cap Cylinder - .040
Baffle - .080
Base - .100

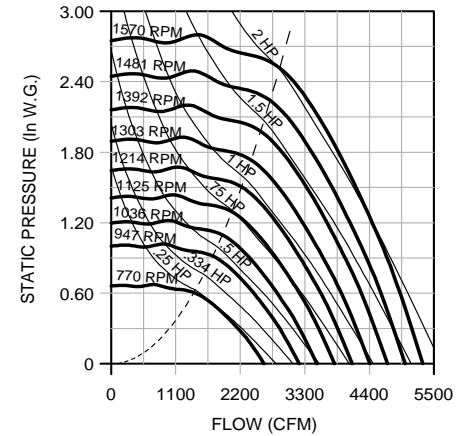
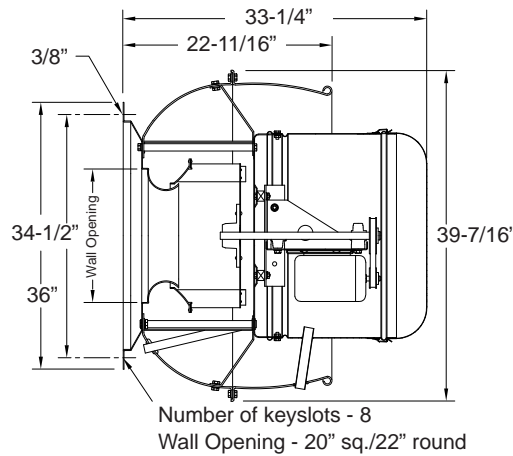


195 ACWB-HP

Wheel Diameter - 19.5"
Tip Speed (FPM) - 5.1 x RPM
Maximum RPM - 1570
Maximum BHP - .85 x (RPM/1000)³
Maximum Motor Frame - 145T
Approx. Ship Wt. (Less Motor) - 110 lbs.
Number of Keyslots - 8 for 3/8" bolt
Wall Opening (Round) - 22"
Wall Opening (Square) - 20"

Material Gauges

Top Cap Lid - .050
Top Cap Cylinder - .040
Baffle - .080
Base - .100

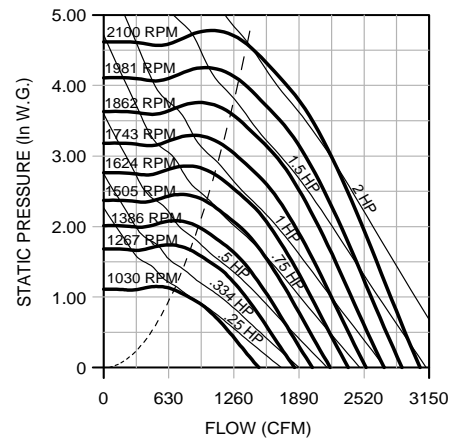
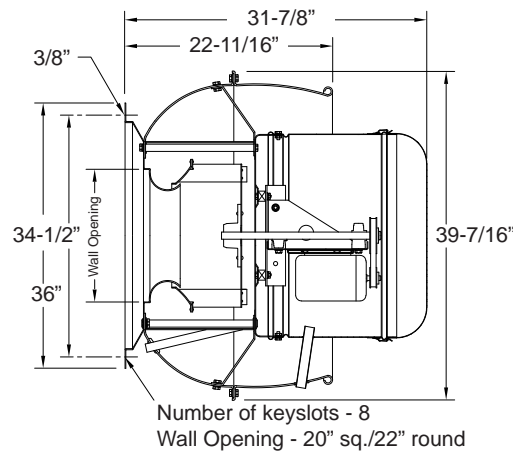


195 ACWB-XP

Wheel Diameter - 19.5"
Tip Speed (FPM) - 5.1 x RPM
Maximum RPM - 2100
Maximum BHP - .85 x (RPM/1000)³
Maximum Motor Frame - 145T
Approx. Ship Wt. (Less Motor) - 110 lbs.
Number of Keyslots - 8 for 3/8" bolt
Wall Opening (Round) - 22"
Wall Opening (Square) - 20"

Material Gauges

Top Cap Lid - .050
Top Cap Cylinder - .040
Baffle - .080
Base - .100



Performance certified is for Installation Type A: free inlet, free outlet. Power rating (BHP) does not include transmission losses. Performance ratings do not include the effects of appurtenances (accessories). The sound ratings shown are loudness values in fan sones at 5 ft. (1.5m) in a hemispherical free field calculated per AMCA Standard 301. Values shown are for Installation Type A: free inlet hemispherical sone levels.

195 ACWB

Catalog Number	Mtr. HP/ Drv. Wt.	Fan RPM	Tip Speed	CFM at Static Pressure																					
				0.000" SP		0.125" SP		0.250" SP		0.375" SP		0.500" SP		0.625" SP		0.750" SP		0.875" SP		1.000" SP		1.250" SP		1.500" SP	
				Sone	BHP	Sone	BHP	Sone	BHP	Sone	BHP	Sone	BHP	Sone	BHP	Sone	BHP	Sone	BHP	Sone	BHP	Sone	BHP	Sone	BHP
195W2B	1/6 15 lbs.	577	2945	2774		2506		2147		1510															
				6.0	.14	5.7	.15	5.0	.16	4.6	.15														
195W3B	1/4 15 lbs.	664	3389	3192		2963		2702		2329															
				7.5	.21	7.4	.23	6.8	.24	6.3	.25														
195W4B	1/3 19 lbs.	734	3747	3528		3323		3100		2816		2454													
				9.1	.29	9.1	.31	8.5	.32	8.0	.33	7.5	.33												
195W5B	1/2 23 lbs.	842	4298	4047		3869		3683		3476		3214		2899		2513									
				11.9	.44	11.9	.46	11.5	.48	10.8	.49	10.3	.50	9.9	.50	9.5	.49								
195W6B	3/4 31 lbs.	969	4946	4658		4504		4345		4178		3995		3776		3505		3231		2865					
				15.7	.67	15.7	.69	15.5	.71	14.9	.74	14.2	.75	13.8	.76	13.4	.77	12.9	.76	12.5	.74				
195W7B	1 36 lbs.	1069	5457	5139		4999		4857		4710		4554		4384		4184		3943		3695		3009			
				19.0	.89	19.0	.92	19.0	.95	18.4	.97	17.7	1.00	17.1	1.01	16.7	1.03	16.2	1.03	15.9	1.03	15.2	.98		
195W8B	1-1/2 38 lbs.	1149	5865	5523		5393		5262		5127		4986		4837		4674		4484		4259		3792			
				21	1.11	21	1.14	21	1.17	21	1.20	20	1.22	19.4	1.24	18.8	1.26	18.4	1.28	18.0	1.28	17.3	1.27		
	1228	6269	5903		5781		5659		5534		5405		5270		5127		4970		4791		4363		3912		
195W9B	2 50 lbs.	1290	6585	6201		6085		5969		5851		5729		5604		5472		5332		5178		4799		4386	
				25	1.57	25	1.60	25	1.64	25	1.67	24	1.70	24	1.73	23	1.75	22	1.78	22	1.79	21	1.81	21	1.80
	1353	6907	6504		6394		6283		6170		6056		5938		5816		5687		5550		5226		4834		
				27	1.81	27	1.85	27	1.88	27	1.92	26	1.95	26	1.98	25	2.01	24	2.03	24	2.05	23	2.09	22	2.09

195 ACWB-HP

Catalog Number	Mtr. HP/ Drv. Wt.	Fan RPM	Tip Speed	CFM at Static Pressure																					
				0.250" SP		0.375" SP		0.500" SP		0.750" SP		1.000" SP		1.250" SP		1.500" SP		1.750" SP		2.000" SP		2.250" SP		2.500" SP	
				Sone	BHP	Sone	BHP	Sone	BHP	Sone	BHP	Sone	BHP	Sone	BHP	Sone	BHP	Sone	BHP	Sone	BHP	Sone	BHP	Sone	BHP
195WH3B	1/4 15 lbs.	770	3930	2251		2019		1747																	
				7.6	.23	7.1	.24	6.4	.25																
195WH4B	1/3 19 lbs.	851	4344	2571		2374		2155																	
				9.3	.31	8.8	.32	8.2	.33																
195WH5B	1/2 23 lbs.	977	4987	3044		2893		2718		2318															
				12.3	.45	11.8	.47	11.2	.48	10.0	.50														
195WH6B	3/4 31 lbs.	1051	5365	3315		3182		3029		2680		2254													
				14.1	.56	13.7	.58	13.3	.59	12.0	.62	10.6	.63												
195WH7B	1 36 lbs.	1240	6330	3579		3459		3324		3012		2656		2179											
				16.0	.68	15.7	.70	15.3	.72	13.9	.74	12.7	.77	11.4	.75										
195WH8B	1-1/2 38 lbs.	1332	6799	3994		3888		3775		3513		3217		2883		2453									
				18.8	.89	18.8	.92	18.4	.95	17.6	.98	16.1	1.01	14.7	1.03	13.6	1.01								
195WH9B	2 50 lbs.	1497	7642	4319		4223		4121		3892		3629		3342		3016		2594							
				21	1.10	21	1.13	21	1.16	19.9	1.20	18.6	1.23	17.3	1.26	16.0	1.28	14.9	1.25						
	1570	8015	4643		4554		4461		4259		4023		3768		3491		3176		2773						
				23	1.33	23	1.37	23	1.40	22	1.46	21	1.49	19.8	1.52	18.7	1.55	17.6	1.56	16.6	1.53				
				25	1.54	25	1.58	25	1.61	24	1.68	23	1.72	22	1.75	21	1.75	19.7	1.81	18.8	1.81	17.9	1.76		
				26	1.77	26	1.81	26	1.85	26	1.91	25	1.97	24	2.00	23	2.03	22	2.07	21	2.09	20	2.09	19.2	2.02

195 ACWB-XP

Catalog Number	Mtr. HP/ Drv. Wt.	Fan RPM	Tip Speed	CFM at Static Pressure																					
				1.000" SP		1.250" SP		1.500" SP		1.750" SP		2.000" SP		2.250" SP		2.500" SP		3.000" SP		3.500" SP		4.000" SP		4.500" SP	
				Sone	BHP	Sone	BHP	Sone	BHP	Sone	BHP	Sone	BHP	Sone	BHP	Sone	BHP	Sone	BHP	Sone	BHP	Sone	BHP	Sone	BHP
195WX3B	1/4 15 lbs.	1030	5258	823																					
				6.5	.25																				
195WX4B	1/3 19 lbs.	1139	5814	1117		879																			
				8.2	.33	7.7	.33																		
195WX5B	1/2 23 lbs.	1308	6677	1455		1324		1153		901															
				11.2	.47	10.8	.49	10.3	.51	9.7	.48														
195WX6B	3/4 31 lbs.	1505	7683	1806		1706		1596		1474		1315		1102											
				15.1	.68	14.6	.71	14.3	.74	13.8	.76	13.2	.77	12.7	.75										
195WX7B	1 36 lbs.	1583	8081	1939		1846		1747		1639		1517		1356		1150									
				16.5	.78	15.9	.81	15.6	.84	15.4	.87	14.7	.89	14.2	.90	13.7	.87								
	1660	8474	2068		1981		1889		1791		1686		1564		1402										
				17.9	.88	17.4	.92	16.9	.95	16.7	.98	16.4	1.01	15.8	1.03	15.2	1.04								
195WX8B	1-1/2 38 lbs.	1783	9102	2270		2190		2108		2022		1931		1834		1726		1423							
				20	1.06	19.7	1.11	19.2	1.15	18.8	1.18	18.6	1.21	18.4	1.24	17.8	1.27	16.8	1.27						
	1906	9730	2469		2394		2319		2242		2162		2077		1987		1780		1471						
				23	1.27	22	1.32	22	1.37	21	1.41	21	1.44	21	1.48	20	1.51	19.5	1.56	18.5	1.55				
195WX9B	2 50 lbs.	2003	10225	2624		2553		2482		2410		2336		2259		2177		2001		1775		1456			
				25	1.45	24	1.51	23	1.56	23	1.60	23	1.64	22	1.68	22	1.71	22	1.785	21	1.82	19.8	1.77		
	2100	10720	2778		2710		2643		2575		2506		2434		2360		2201		2020		1775		1455		
				26	1.65	26	1.71	25	1.76	25	1.81	25	1.86	24	1.90	24	1.94	24	2.01	23	2.07	22	2.10	21	2.01

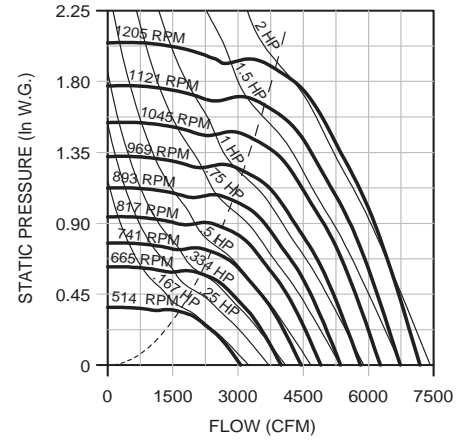
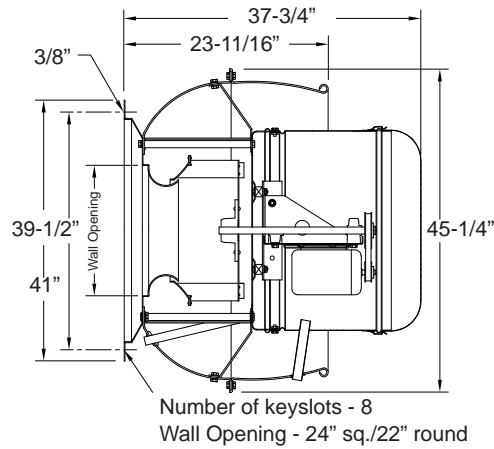
Performance certified is for Installation Type A: free inlet, free outlet. Power rating (BHP) does not include transmission losses. Performance ratings do not include the effects of appurtenances (accessories). The sound ratings shown are loudness values in fan sones at 5 ft. (1.5m) in a hemispherical free field calculated per AMCA Standard 301. Values shown are for Installation Type A: free inlet hemispherical sone levels.

210 ACWB (Std, HP, XP) Data

210 ACWB

Wheel Diameter - 21"
Tip Speed (FPM) - 5.5 x RPM
Maximum RPM - 1205
Maximum BHP - 1.2 x (RPM/1000)³
Maximum Motor Frame - 145T
Approx. Ship Wt. (Less Motor) - 210 lbs.
Number of Keyslots - 8 for 3/8" bolt
Wall Opening (Round) - 22"
Wall Opening (Square) - 24"

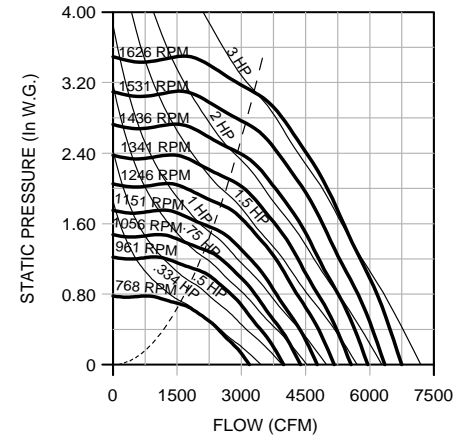
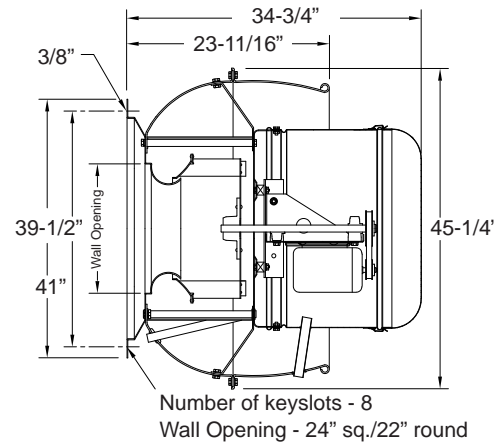
Material Gauges
Top Cap Lid - .063
Top Cap Cylinder - .040
Baffle - .080
Base - .100



210 ACWB-HP

Wheel Diameter - 21"
Tip Speed (FPM) - 5.5 x RPM
Maximum RPM - 1626
Maximum BHP - 1.2 x (RPM/1000)³
Maximum Motor Frame - 145T
Approx. Ship Wt. (Less Motor) - 210 lbs.
Number of Keyslots - 8 for 3/8" bolt
Wall Opening (Round) - 22"
Wall Opening (Square) - 24"

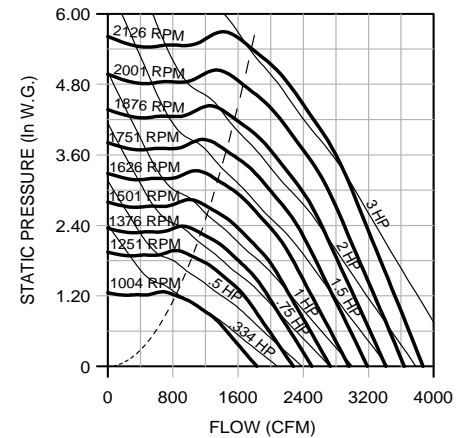
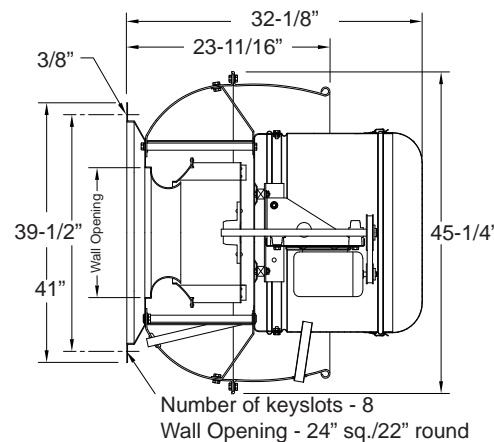
Material Gauges
Top Cap Lid - .063
Top Cap Cylinder - .040
Baffle - .080
Base - .100



210 ACWB-XP

Wheel Diameter - 21"
Tip Speed (FPM) - 5.5 x RPM
Maximum RPM - 2126
Maximum BHP - 1.2 x (RPM/1000)³
Maximum Motor Frame - 145T
Approx. Ship Wt. (Less Motor) - 210 lbs.
Number of Keyslots - 8 for 3/8" bolt
Wall Opening (Round) - 22"
Wall Opening (Square) - 24"

Material Gauges
Top Cap Lid - .063
Top Cap Cylinder - .040
Baffle - .080
Base - .100



Performance certified is for Installation Type A: free inlet, free outlet. Power rating (BHP) does not include transmission losses. Performance ratings do not include the effects of appurtenances (accessories). The sound ratings shown are loudness values in fan zones at 5 ft. (1.5m) in a hemispherical free field calculated per AMCA Standard 301. Values shown are for Installation Type A: free inlet hemispherical sound levels.

210 ACWB

Catalog Number	Mtr. HP/ Drv. Wt.	Fan RPM	Tip Speed	CFM at Static Pressure																					
				0.000" SP		0.125" SP		0.250" SP		0.375" SP		0.500" SP		0.625" SP		0.750" SP		0.875" SP		1.000" SP		1.250" SP		1.500" SP	
				Sone	BHP	Sone	BHP	Sone	BHP	Sone	BHP	Sone	BHP	Sone	BHP	Sone	BHP	Sone	BHP	Sone	BHP	Sone	BHP	Sone	BHP
210W2B	1/6 15 lbs.	514	2825	3052		2672		2247																	
				5.4	.14	4.8	.15	4.2	.16																
210W3B	1/4 15 lbs.	591	3249	3509		3180		2836		2428															
				7.3	.21	6.8	.22	6.3	.24	5.6	.25														
210W4B	1/3 19 lbs.	653	3590	3877		3580		3275		2940		2534													
				8.6	.28	8.1	.3	7.5	.31	7.0	.33	6.3	.33												
210W5B	1/2 23 lbs.	750	4123	4453		4195		3933		3661		3363		3019		2522									
				10.6	.43	10.1	.45	9.6	.46	9.1	.48	8.6	.49	7.9	.5	7.4	.49								
210W6B	3/4 31 lbs.	863	4744	5124		4900		4674		4445		4206		3950		3667		3344		2864					
				13.7	.65	13.3	.67	12.9	.69	12.4	.71	11.9	.73	11.4	.75	10.8	.76	10.2	.77	9.7	.75				
210W7B	1 36 lbs.	952	5233	5653		5449		5245		5039		4829		4611		4378		4126		3849		2960			
				16.7	.88	16.2	.9	15.8	.92	15.4	.94	14.9	.97	14.5	.99	13.9	1.01	13.3	1.02	12.7	1.03	11.7	.97		
210W8B	1-1/2 38 lbs.	1022	5618	6068		5879		5689		5498		5304		5106		4899		4681		4446		3904			
				19.1	1.09	18.7	1.11	18.3	1.13	17.9	1.15	17.4	1.18	16.9	1.21	16.5	1.23	15.9	1.25	15.14	1.26	14.3	1.28		
	1093	6009	6490		6313		6135		5957		5777		5594		5407		5213		5007		4555		3996		
				22	1.33	21	1.35	21	1.37	21	1.4	20	1.43	19.7	1.45	19.3	1.48	18.8	1.51	18.2	1.52	17.1	1.55	16.0	1.56
210W9B	2 50 lbs.	1149	6316	6822		6654		6485		6316		6145		5973		5797		5617		5429		5022		4559	
				24	1.54	24	1.57	23	1.59	23	1.62	22	1.64	22	1.67	22	1.7	21	1.73	21	1.76	19.5	1.79	18.4	1.81
	1205	6624	7155		6994		6834		6672		6510		6346		6181		6012		5838		5467		5055		
				26	1.78	26	1.8	25	1.83	25	1.86	24	1.89	24	1.92	24	1.95	23	1.98	23	2.01	22	2.05	20	2.07

210 ACWB-HP

Catalog Number	Mtr. HP/ Drv. Wt.	Fan RPM	Tip Speed	CFM at Static Pressure																					
				0.250" SP		0.375" SP		0.500" SP		0.750" SP		1.000" SP		1.250" SP		1.500" SP		1.750" SP		2.000" SP		2.250" SP		2.500" SP	
				Sone	BHP	Sone	BHP	Sone	BHP	Sone	BHP	Sone	BHP	Sone	BHP	Sone	BHP	Sone	BHP	Sone	BHP	Sone	BHP	Sone	BHP
210WH4B	1/3 19 lbs.	768	4222	2769		2511		2235																	
				8.4	.31	8.3	.32	7.9	.33																
210WH5B	1/2 23 lbs.	882	4849	3323		3093		2875		2341															
				10.7	.45	10.6	.47	10.6	.49	9.5	.50														
210WH6B	3/4 31 lbs.	1015	5580	3932		3759		3554		3176		2679		1793											
				13.7	.67	13.6	.70	13.6	.72	13.2	.75	12.2	.77	11.2	.69										
210WH7B	1 36 lbs.	1067	5866	4164		4008		3819		3452		3037		2485											
				14.9	.77	14.8	.81	14.8	.83	14.6	.87	13.8	.89	12.7	.87										
	1120	6157	4398		4257		4085		3724		3371		2891		2091										
				16.2	.89	16.1	.92	16.1	.95	16.0	.99	15.3	1.02	14.2	1.03	13.3	.95								
210WH8B	1-1/2 38 lbs.	1286	7070	5122		5007		4881		4572		4264		3965		3579		3133		2301					
				19.8	1.31	19.7	1.36	19.7	1.40	19.6	1.46	19.5	1.50	18.9	1.54	18.1	1.57	17.2	1.55	16.4	1.41				
210WH9B	2 50 lbs.	1352	7433	5406		5300		5184		4905		4600		4323		4009		3609		3164		2260			
				21	1.52	21	1.56	21	1.61	21	1.68	21	1.73	21	1.77	20	1.80	19.3	1.82	18.4	1.78	17.7	1.59		
	1417	7790	5685		5585		5478		5227		4932		4660		4390		4054		3659		3195		2263		
				23	1.74	23	1.79	23	1.83	23	1.92	23	1.98	23	2.02	22	2.06	21	2.09	20	2.09	19.7	2.03	19.0	1.80
210WH10B	3 74 lbs.	1521	8362	6131		6038		5942		5725		5462		5191		4944		4688		4374		4008		3618	
				26	2.13	26	2.19	26	2.24	26	2.33	26	2.41	25	2.46	25	2.51	25	2.55	24	2.58	23	2.59	22	2.54
	1626	8939	6578		6493		6404		6213		5986		5728		5481		5253		5011		4722		4384		
				29	2.59	29	2.65	29	2.70	29	2.81	28	2.90	28	2.97	28	3.02	28	3.07	27	3.11	27	3.15	26	3.16

210 ACWB-XP

Catalog Number	Mtr. HP/ Drv. Wt.	Fan RPM	Tip Speed	CFM at Static Pressure																					
				1.000" SP		1.250" SP		1.500" SP		1.750" SP		2.000" SP		2.250" SP		2.500" SP		3.000" SP		3.500" SP		4.000" SP		4.500" SP	
				Sone	BHP	Sone	BHP	Sone	BHP	Sone	BHP	Sone	BHP	Sone	BHP	Sone	BHP	Sone	BHP	Sone	BHP	Sone	BHP	Sone	BHP
210WX4B	1/3 19 lbs.	1004	5519	1127																					
				9.0	.33																				
210WX5B	1/2 23 lbs.	1153	6338	1558		1357		1102																	
				11.3	.48	11.2	.50	12.7	.50																
210WX6B	3/4 31 lbs.	1327	7295	1950		1832		1684		1487		1253													
				14.6	.69	14.5	.73	14.4	.76	14.6	.77	18.1	.76												
210WX7B	1 36 lbs.	1464	8048	2243		2138		2030		1905		1734		1552		1301									
				17.4	.90	17.3	.93	17.2	.97	17.1	1.01	17.0	1.03	18.2	1.03	27	1.01								
210WX8B	1-1/2 38 lbs.	1572	8642	2469		2370		2273		2172		2055		1900		1732									
				19.3	1.08	19.2	1.13	19.1	1.17	19.0	1.21	18.8	1.24	18.7	1.27	19.6	1.28								
	1681	9241	2694		2600		2508		2417		2323		2215		2078		1759								
				22	1.30	21	1.34	21	1.39	21	1.43	21	1.47	21	1.51	21	1.55	23	1.56						
210WX9B	2 50 lbs.	1767	9714	2869		2780		2691		2605		2518		2426		2322		2041		1710					
				23	1.48	23	1.53	23	1.58	23	1.63	22	1.67	22	1.72	22	1.76	22	1.82	29	1.80				
	1852	10181	3040		2956		2871		2787		2704		2621		2532		2309		2023		1646				
				25	1.68	25	1.74	24	1.79	24	1.84	24	1.89	24	1.94	24	1.98	24	2.07	25	2.10	40	2.04		
210WX10B	3 74 lbs.	1989	10935	3313		3235		3156		3077		2999		2922		2845		2679		2459		2192		1872	
				28	2.04	28	2.11	27	2.17	27	2.23	27	2.28	27	2.33	26	2.38	26	2.48	26	2.57	28	2.60	39	2.55
	2126	11688	3583		3510		3437		3363		3289		3215		3143		2998		2837		2627		2378		
				32	2.46	31	2.53	30	2.60	30	2.66	30	2.72	30	2.78	29	2.83	29	2.94	29	3.04	29	3.13	31	3.17

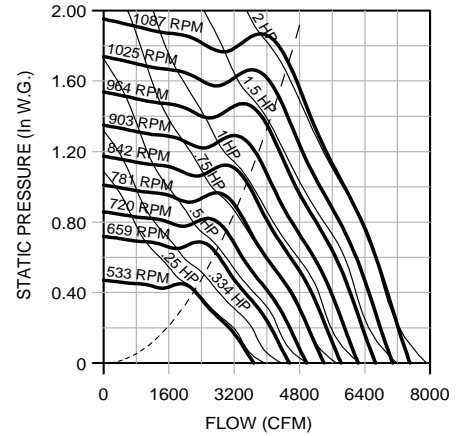
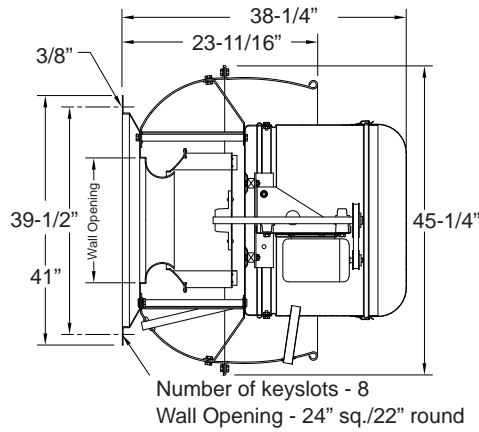
Performance certified for Installation Type A: free inlet, free outlet. Power rating (BHP) does not include transmission losses. Performance ratings do not include the effects of appurtenances (accessories). The sound ratings shown are loudness values in fan sones at 5 ft. (1.5m) in a hemispherical free field calculated per AMCA Standard 301. Values shown are for Installation Type A: free inlet hemispherical sone levels.

225 ACWB (Std, HP, XP) Data

225 ACWB

Wheel Diameter - 22.5"
Tip Speed (FPM) - 5.9 x RPM
Maximum RPM - 1086
Maximum BHP - $1.6 \times (\text{RPM}/1000)^3$
Maximum Motor Frame - 182T
Approx. Ship Wt. (Less Motor) - 215 lbs.
Number of Keyslots - 8 for 3/8" bolt
Wall Opening (Round) - 22"
Wall Opening (Square) - 24"

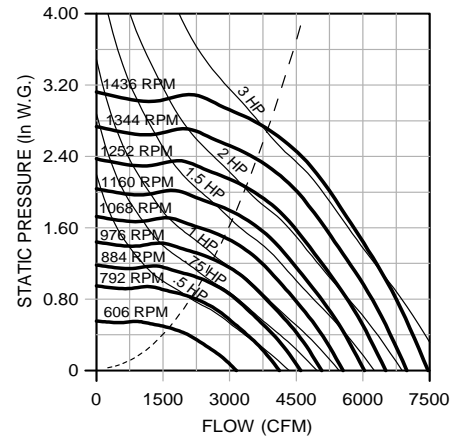
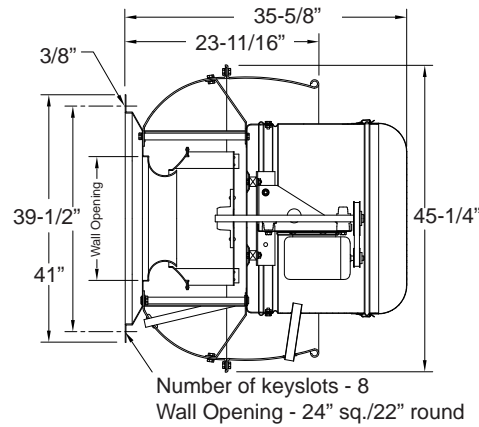
Material Gauges
Top Cap Lid - .063
Top Cap Cylinder - .040
Baffle - .080
Base - .100



225 ACWB-HP

Wheel Diameter - 22.5"
Tip Speed (FPM) - 5.9 x RPM
Maximum RPM - 1435
Maximum BHP - $1.6 \times (\text{RPM}/1000)^3$
Maximum Motor Frame - 182T
Approx. Ship Wt. (Less Motor) - 215 lbs.
Number of Keyslots - 8 for 3/8" bolt
Wall Opening (Round) - 22"
Wall Opening (Square) - 24"

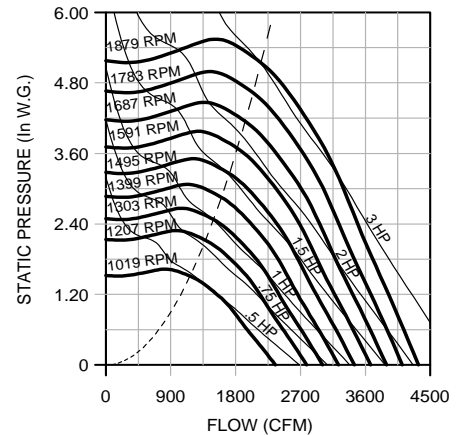
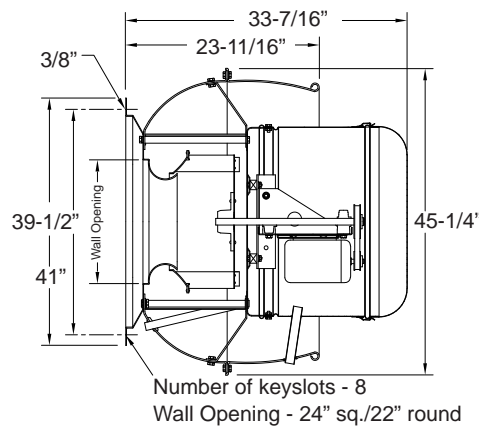
Material Gauges
Top Cap Lid - .063
Top Cap Cylinder - .040
Baffle - .080
Base - .100



225 ACWB-XP

Wheel Diameter - 22.5"
Tip Speed (FPM) - 5.9 x RPM
Maximum RPM - 1879
Maximum BHP - $1.6 \times (\text{RPM}/1000)^3$
Maximum Motor Frame - 182T
Approx. Ship Wt. (Less Motor) - 215 lbs.
Number of Keyslots - 8 for 3/8" bolt
Wall Opening (Round) - 22"
Wall Opening (Square) - 24"

Material Gauges
Top Cap Lid - .063
Top Cap Cylinder - .040
Baffle - .080
Base - .100



Performance certified is for Installation Type A: free inlet, free outlet. Power rating (BHP) does not include transmission losses. Performance ratings do not include the effects of appurtenances (accessories). The sound ratings shown are loudness values in fan zones at 5 ft. (1.5m) in a hemispherical free field calculated per AMCA Standard 301. Values shown are for Installation Type A: free inlet hemispherical sound levels.

225 ACWB

Table with columns: Catalog Number, Mtr. HP/Drv. Wt., Fan RPM, Tip Speed, and CFM at Static Pressure (0.000" SP to 1.500" SP). Rows include models 225W3B through 225W9B.

225 ACWB-HP

Table with columns: Catalog Number, Mtr. HP/Drv. Wt., Fan RPM, Tip Speed, and CFM at Static Pressure (0.250" SP to 2.500" SP). Rows include models 225WH5B through 225WH10B.

225 ACWB-XP

Table with columns: Catalog Number, Mtr. HP/Drv. Wt., Fan RPM, Tip Speed, and CFM at Static Pressure (1.000" SP to 4.500" SP). Rows include models 225WX5B through 225WX10B.

Performance certified is for Installation Type A: free inlet, free outlet. Power rating (BHP) does not include transmission losses. Performance ratings do not include the effects of appurtenances (accessories). The sound ratings shown are loudness values in fan sones at 5 ft. (1.5m) in a hemispherical free field calculated per AMCA Standard 301. Values shown are for Installation Type A: free inlet hemispherical sone levels.

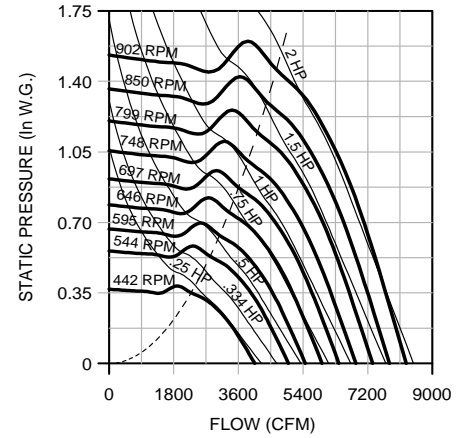
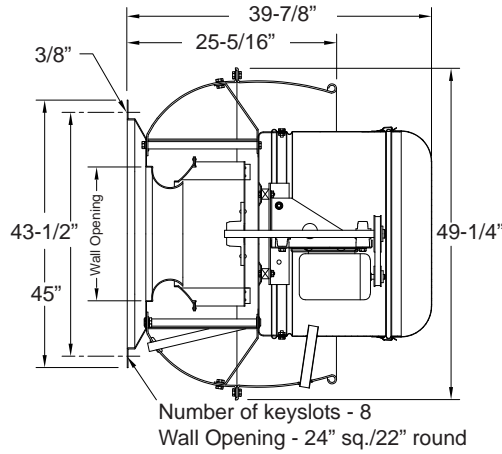
245 ACWB (Std, HP, XP) Data

245 ACWB

Wheel Diameter - 24.5"
Tip Speed (FPM) - 6.4 x RPM
Maximum RPM - 901
Maximum BHP - 2.8 x (RPM/1000)³
Maximum Motor Frame - 182T
Approx. Ship Wt. (Less Motor) - 250 lbs.
Number of Keyslots - 8 for 3/8" bolt
Wall Opening (Round) - 22"
Wall Opening (Square) - 24"

Material Gauges

Top Cap Lid - .063
Top Cap Cylinder - .040
Baffle - .080
Base - .100

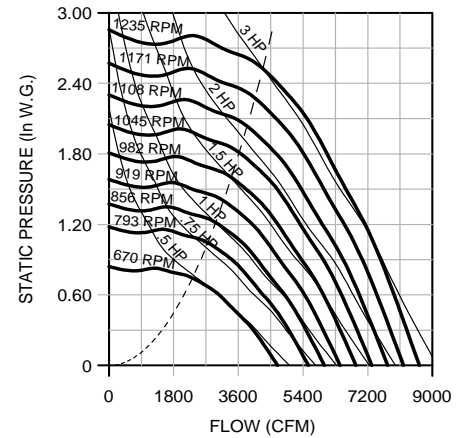
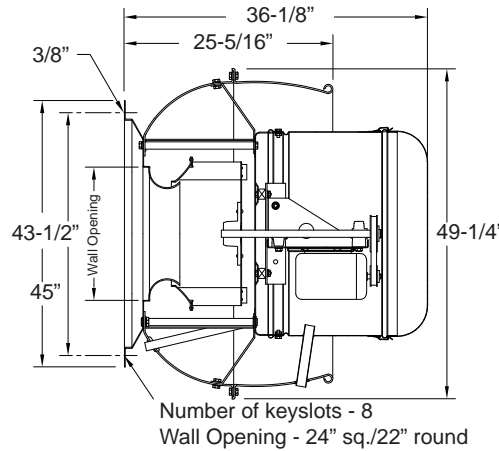


245 ACWB-HP

Wheel Diameter - 24.5"
Tip Speed (FPM) - 6.4 x RPM
Maximum RPM - 1234
Maximum BHP - 2.8 x (RPM/1000)³
Maximum Motor Frame - 182T
Approx. Ship Wt. (Less Motor) - 250 lbs.
Number of Keyslots - 8 for 3/8" bolt
Wall Opening (Round) - 22"
Wall Opening (Square) - 24"

Material Gauges

Top Cap Lid - .063
Top Cap Cylinder - .040
Baffle - .080
Base - .100

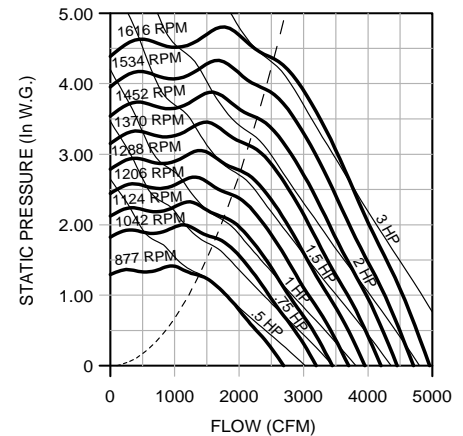
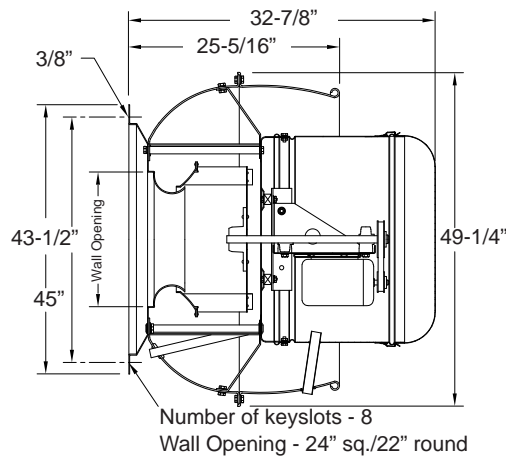


245 ACWB-XP

Wheel Diameter - 24.5"
Tip Speed (FPM) - 6.4 x RPM
Maximum RPM - 1616
Maximum BHP - 2.8 x (RPM/1000)³
Maximum Motor Frame - 182T
Approx. Ship Wt. (Less Motor) - 250 lbs.
Number of Keyslots - 8 for 3/8" bolt
Wall Opening (Round) - 22"
Wall Opening (Square) - 24"

Material Gauges

Top Cap Lid - .063
Top Cap Cylinder - .040
Baffle - .080
Base - .100



Performance certified is for Installation Type A: free inlet, free outlet. Power rating (BHP) does not include transmission losses. Performance ratings do not include the effects of appurtenances (accessories). The sound ratings shown are loudness values in fan zones at 5 ft. (1.5m) in a hemispherical free field calculated per AMCA Standard 301. Values shown are for Installation Type A: free inlet hemispherical sound levels.

245 ACWB

Catalog Number	Mtr. HP/ Drv. Wt.	Fan RPM	Tip Speed	CFM at Static Pressure																																							
				0.000" SP		0.125" SP		0.250" SP		0.375" SP		0.500" SP		0.625" SP		0.750" SP		0.875" SP		1.000" SP		1.250" SP		1.500" SP																			
				Sone	BHP	Sone	BHP	Sone	BHP	Sone	BHP	Sone	BHP	Sone	BHP	Sone	BHP	Sone	BHP	Sone	BHP	Sone	BHP	Sone	BHP																		
245W3B	1/4 15 lbs.	442	2835	4058		3639		3116																																			
				7.2	.22	6.8	.24	6.3	.24																																		
245W4B	1/3 19 lbs.	489	3136	4490		4114		3691		3060																																	
				9.0	.30	8.6	.32	8.2	.33	7.3	.33																																
245W5B	1/2 23 lbs.	561	3598	5151		4825		4481		4067		3471																															
				11.9	.45	11.6	.48	11.3	.50	11.0	.50	9.7	.49																														
245W6B	3/4 31 lbs.	646	4143	5931		5649		5359		5047		4674		4185																													
				14.8	.69	14.5	.72	14.2	.75	13.9	.77	13.6	.76	12.7	.76																												
245W7B	1 36 lbs.	679	4355	6234		5966		5692		5402		5074		4662		4104																											
				16.1	.80	15.7	.83	15.4	.86	15.1	.88	14.7	.89	14.4	.88	13.0	.87																										
				6537		6282		6022		5750		5453		5098		4650		3955																									
245W8B	1-1/2 38 lbs.	765	4906	7023		6786		6546		6297		6035		5741		5391		4962		4325																							
				19.7	1.14	19.4	1.18	19.0	1.21	18.7	1.25	18.3	1.27	17.8	1.27	17.3	1.27	16.4	1.25	15.4	1.19																						
				7510		7288		7064		6835		6596		6341		6052		5713		5307																							
245W9B	2 50 lbs.	860	5516	7896		7685		7472		7255		7032		6797		6542		6251		4947																							
				24	1.62	24	1.66	24	1.70	24	1.74	23	1.78	23	1.80	22	1.81	22	1.81	22	1.79	19.3	1.71																				
				8281		8080		7878		7672		7461		7243		7011		6756		6465		5738																					
		902	5785	27		1.86		27		1.91		26		1.96		26		2.00		26		2.04		25		2.07		25		2.08		24		2.09		24		2.08		22		2.05	

245 ACWB-HP

Catalog Number	Mtr. HP/ Drv. Wt.	Fan RPM	Tip Speed	CFM at Static Pressure																																							
				0.250" SP		0.375" SP		0.500" SP		0.750" SP		1.000" SP		1.250" SP		1.500" SP		1.750" SP		2.000" SP		2.250" SP		2.500" SP																			
				Sone	BHP	Sone	BHP	Sone	BHP	Sone	BHP	Sone	BHP	Sone	BHP	Sone	BHP	Sone	BHP	Sone	BHP	Sone	BHP	Sone	BHP																		
245WH5B	1/2 23 lbs.	670	4297	4143		3805		3393																																			
				10.6	.47	10.0	.49	9.4	.50																																		
245WH6B	3/4 31 lbs.	771	4945	4929		4675		4369		3661																																	
				14.2	.71	13.8	.73	13.3	.74	12.0	.77																																
245WH7B	1 36 lbs.	811	5201	5233		4998		4730		4061		3255																															
				15.3	.81	15.0	.84	14.6	.86	13.4	.89	12.1	.88																														
245WH8B	1-1/2 38 lbs.	913	5856	5999		5796		5583		5056		4458		3732																													
				18.4	1.14	18.2	1.18	17.8	1.20	16.9	1.25	15.8	1.28	14.7	1.26																												
				6466		6279		6084		5640		5075		4522		3721																											
245WH9B	2 50 lbs.	1026	6580	6835		6657		6475		6076		5564		5036		4446																											
				22	1.59	22	1.64	22	1.68	21	1.72	19.9	1.75	18.9	1.81	18.1	1.80																										
				7201		7033		6860		6494		6044		5526		5027		4353																									
245WH10B	3 74 lbs.	1156	7414	7785		7628		7470		7140		6769		6307		5832		5364		4738																							
				27	2.23	27	2.30	27	2.35	27	2.43	26	2.48	25	2.54	24	2.59	23	2.59	22	2.55																						
				8358		8212		8065		7762		7437		7055		6603		6166		5725		5153																					
		1235	7921	31		2.70		31		2.77		31		2.84		30		2.93		30		2.99		29		3.05		28		3.12		27		3.16		26		3.16		25		3.12	

245 ACWB-XP

Catalog Number	Mtr. HP/ Drv. Wt.	Fan RPM	Tip Speed	CFM at Static Pressure																																							
				1.000" SP		1.250" SP		1.500" SP		1.750" SP		2.000" SP		2.250" SP		2.500" SP		3.000" SP		3.500" SP		4.000" SP		4.500" SP																			
				Sone	BHP	Sone	BHP	Sone	BHP	Sone	BHP	Sone	BHP	Sone	BHP	Sone	BHP	Sone	BHP	Sone	BHP	Sone	BHP	Sone	BHP																		
245WX5B	1/2 23 lbs.	877	5625	1801		1469																																					
				10.8	.50	10.5	.50																																				
245WX6B	3/4 31 lbs.	1009	6471	2337		2137		1898																																			
				14.5	.73	14.4	.76	14.1	.77																																		
245WX7B	1 36 lbs.	1113	7138	2730		2555		2374		2164		1887																															
				17.6	.94	17.6	.98	17.6	1.02	17.3	1.03	17.1	1.01																														
245WX8B	1-1/2 38 lbs.	1195	7664	3038		2866		2705		2534		2338		2099																													
				20	1.14	19.7	1.18	20	1.23	19.9	1.26	19.7	1.28	19.5	1.26																												
245WX9B	2 50 lbs.	1343	8614	3586		3422		3267		3123		2978		2822		2647																											
				24	1.56	23	1.61	23	1.66	23	1.71	23	1.76	23	1.80	23	1.82																										
				3820		3665		3511		3369		3233		3093		2941		2585																									
245WX10B	3 74 lbs.	1477	9473	4063		3920		3771		3628		3495		3365		3231		2928		2530																							
				27	2.03	27	2.09	27	2.14	26	2.20	26	2.25	26	2.31	26	2.36	26	2.42	25	2.38																						
				4302		4170		4029		3888		3755		3629		3505		3237		2923																							
		1546	9916	29		2.30		29		2.37		29		2.43		28		2.48		28		2.54		28		2.60		28		2.66		27		2.75		27		2.77					
		1616	10365	31		2.59		31		2.67		31		2.74		31		2.80		30		2.85		30		2.92		30		2.98		30		3.09		29		3.16		29		3.15	

Performance certified is for Installation Type A: free inlet, free outlet. Power rating (BHP) does not include transmission losses. Performance ratings do not include the effects of appurtenances (accessories). The sound ratings shown are loudness values in fan sonas at 5 ft. (1.5m) in a hemispherical free field calculated per AMCA Standard 301. Values shown are for Installation Type A: free inlet hemispherical sone levels. **Shaded area indicates reinforced wheel required.**

Related Products

VCR Upblast Centrifugal Restaurant Exhaust Ventilator

COOK Restaurant Exhaust Ventilator provides maximum performance and durability in kitchen hood exhaust applications.

- VCR unit top cap assembly is designed to provide weather protection for the motor and drive components while maintaining easy tool free access for inspection and maintenance.
- Standard lifting lugs, located under the top cap, provide for safe, fast and efficient lifting of the unit to a rooftop.
- One piece fan base, which includes a high-efficiency inlet venturi and continuously welded curb cap corners, insures weathertight conditions.
- One piece spun aluminum leak-free baffle is designed to provide smooth, turbulent-free airflow.
- Wheels are centrifugal type featuring non-overloading, backward-inclined blades and a tapered inlet shroud.
- Optional Wall Mounting Flange is available up to size 245.
- Accurate performance is assured through compliance with the AMCA Certified Ratings Program. All units are licensed to bear the AMCA Certified Ratings Seal for Air and Sound Performance.
- Grease accessories available.



- VCR available in 6 direct drive sizes and 17 belt drive sizes. Capacities range from 400 to 28,800 CFM, with static pressures from 0 to 1-1/2 inches.
- VCR-HP available in 4 direct drive sizes and 11 belt drive high pressure sizes. Capacities range from 700 to 19,200 CFM, with static pressures from 1/4 to 2-1/2 inches.
- VCR-XP available in 3 direct drive sizes and 10 belt drive extended pressure sizes. Capacities range from 800 to 11,000 CFM, with static pressures from 1 to 4-1/2 inches.
- VCRD-EC models with electronically commutated (EC) motors are available in 6 direct drive sizes with capacities from 74 to 2598 cfm.

SRSH Tamper Proof Downblast Centrifugal Exhaust Ventilator

SRSH Tamper Proof Downblast Centrifugal Exhaust Ventilators provide maximum performance and durability in a wide variety of commercial and industrial air moving applications. All units are tested in COOK's AMCA registered laboratory in accordance with AMCA standards and are licensed to bear the AMCA Certified Ratings Seal for Air Performance. They are listed by Underwriters Laboratories (UL 705) and UL listed for Canada (cUL 705).





LOREN COOK COMPANY

2015 E. DALE STREET
SPRINGFIELD, MO 65803-4637

417.869.6474

FAX 417.862.3820

lorencook.com